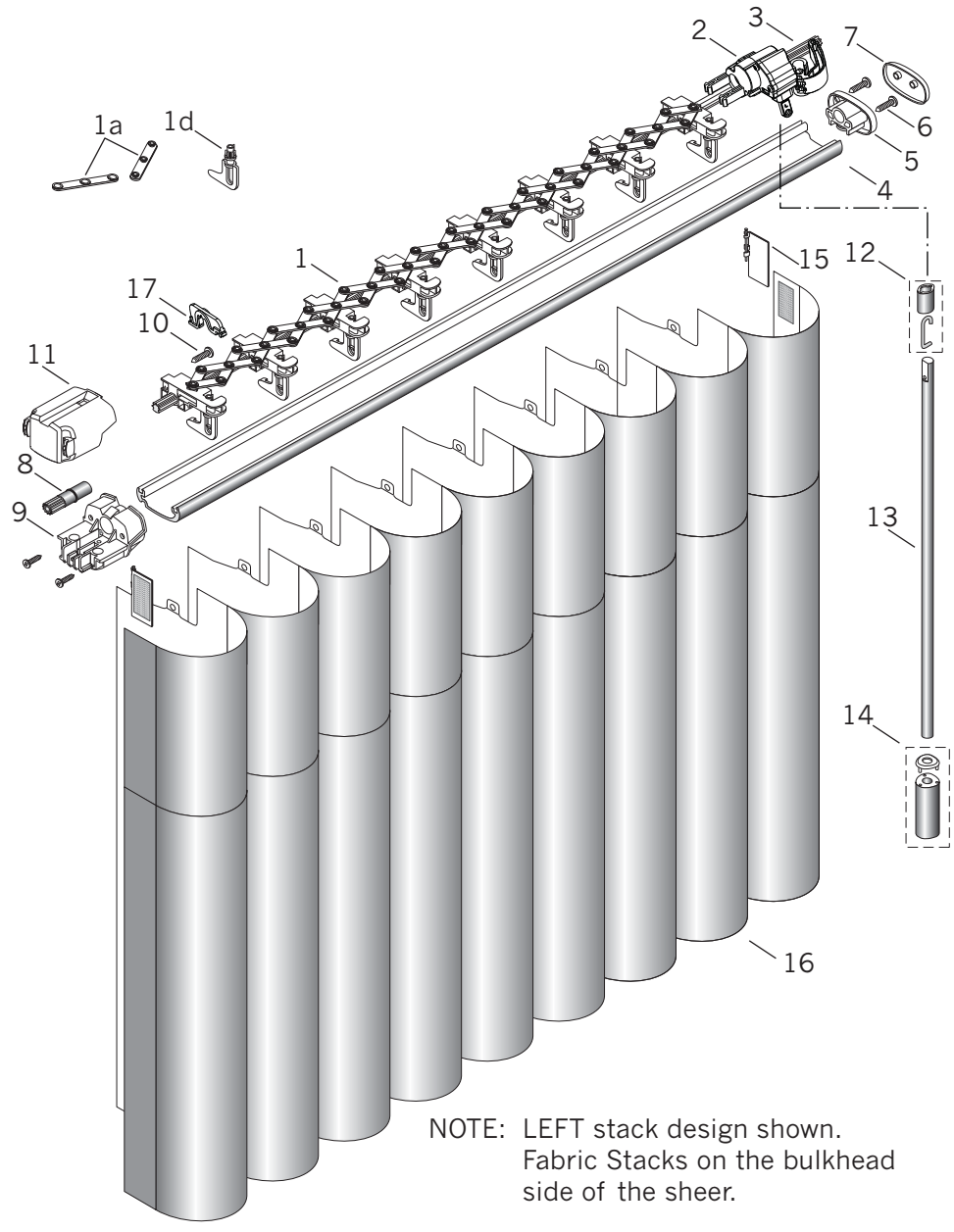


Luminette® Traveling Wand



NOTE: LEFT stack design shown.
Fabric Stacks on the bulkhead side of the sheer.

Standard Parts

- | | | |
|------------------------------------|----------------------------------|---|
| 1. Fabric Carrier Group Assembly | 6. Square Pan Head Tapping Screw | 13. Wand |
| 1a. Scissors | 7. Passive End Cap Cover | 14. Wand Handle & Cover |
| 1b. Tilt Reduction Pinion Clip | 8. Tilt Drive Gear | 15. End Treatment Swivel Plate Assembly |
| 2. No-Tilt Traveling Wand Assembly | 9. Universal Bulkhead Body | 16. Fabric |
| 3. Tilt Rod Extrusion | 10. Square Head Hi-Lo Screw | 17. Tilt Lock |
| 4. Headrail | 11. Universal Bulkhead Cover | |
| 5. Passive End Cap Assembly | 12. Wand Hook with Hook Cover | |

Luminette® Traveling Wand

No.	PCN	Description
1.	4250355000	Fabric Carrier Group Assembly with Tilt Reduction Pinion Clip
1a.	4250076000	Scissors (Male and Female)
1b.	4250142000	Tilt Reduction Pinion Clip
2.	No-Tilt Traveling Wand Assembly	
	4255193000	RH
	4255194000	LH
3.	Tilt Rod Extrusion – 16'	
	4250470000	Aluminum
	4250360000	Brass
4.	4250010xxx	Headrail – 16'
5.	4250018xxx	Passive End Cap Assembly
6.	4250212000	#6 x 1/2" Square Pan Head Tapping (End Cap) Screw
7.	4250109xxx	Passive End Cap Cover
8.	4250058000	Tilt Drive gear
9.	4250011xxx	Universal Bulkhead Body
10.	4250146000	Square Head Hi-Lo 6-19 x 3/4" (Stationary Carrier) Screw
11.	4250012xxx	Universal Bulkhead Cover
12.	4250062xxx	Wand Hook with Hook Cover
13.	Wand (Standard)	
	4250090xxx	21"
	4250091xxx	28"
	4250092xxx	38"
14.	4250107xxx	Wand Handle & Cover
15.	End Treatment Swivel Plate Assembly	
	4250120xxx	RH
	4250121xxx	LH
16.	N/A	Luminette® Fabric
17.	4255197000	Tilt Lock

xxx = 3 – digit color code