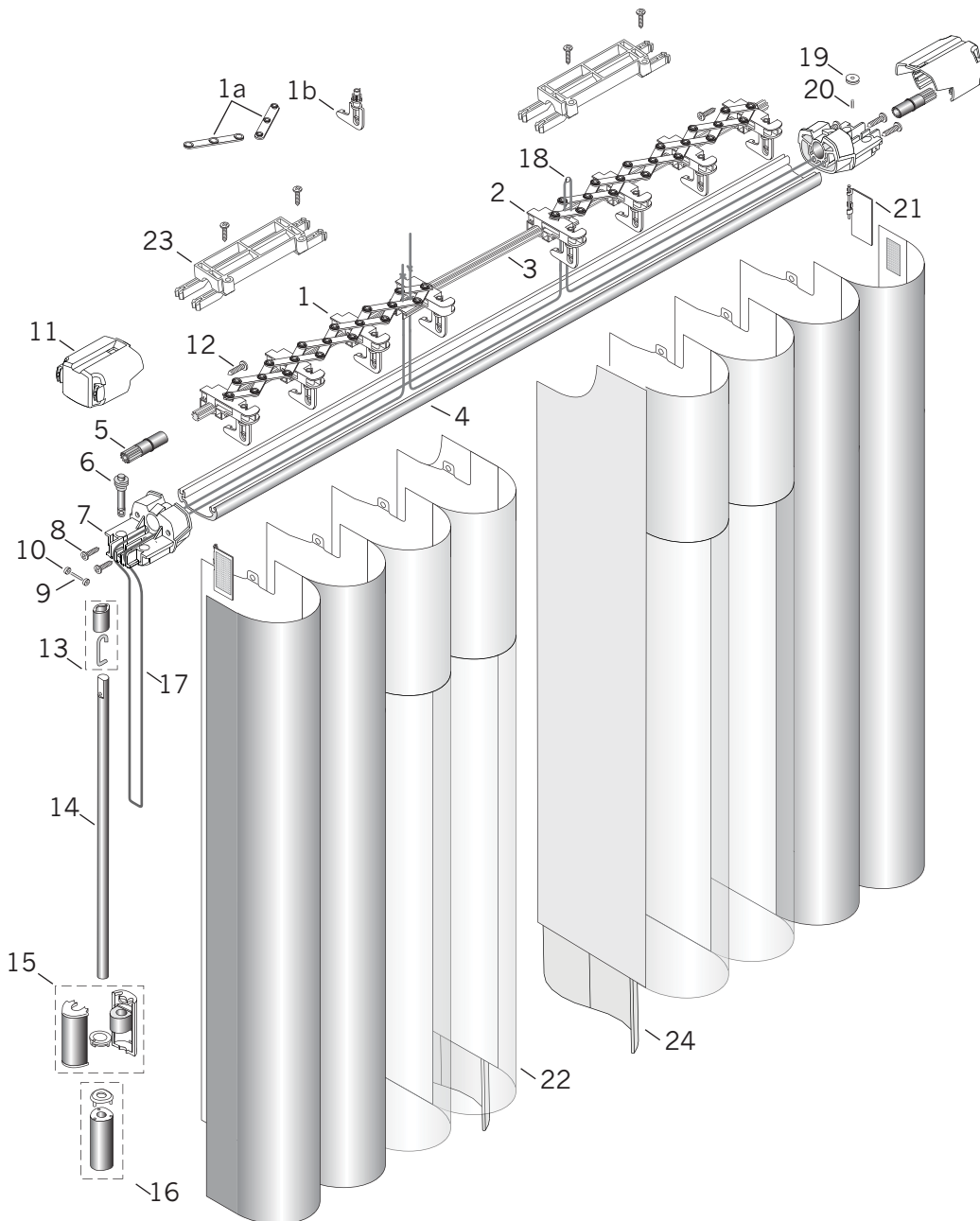


Luminette® Split Stack



Standard Parts

- | | | |
|----------------------------------|--------------------------------------|---|
| 1. Fabric Carrier Group Assembly | 8. Square Pan Head Tapping Screw | 16. Wand Handle & Cover |
| 1a. Scissors | 9. Active SS Dowel Pin | 17. Cord |
| 1b. Tilt Reduction Pinion Clip | 10. Cord Pulley | 18. Open Bead |
| 2. Lead Carrier Assembly | 11. Universal Bulkhead Cover | 19. End Cap Wheel |
| 3. Tilt Rod Extrusion | 12. Square Head Hi-Lo Screw | 20. Active Center SS Dowel Pin |
| 4. Headrail | 13. Wand Hook with Hook Cover | 21. End Treatment Swivel Plate Assembly |
| 5. Tilt Drive Gear | 14. Wand | 22. Fabric |
| 6. Tilt Drive Worm Gear | 15. Weighted Tether Control Assembly | 23. Traverse Lock |
| 7. Universal Bulkhead Body | | 24. Contour Vane |

Luminette® Split Stack

No.	PCN	Description
1.	4250355000	Fabric Carrier Group Assembly with Tilt Reduction Pinion Clip
1a.	4250076000	Scissors (Male and Female)
1b.	4250142000	Tilt Reduction Pinion Clip
2.	Center Draw (Split Stack) Lead Carrier Assembly	
	4250345000	RH
	4250350000	LH
3.	Tilt Rod Extrusion – 16'	
	4250470000	Aluminum
	4250360000	Brass
4.	4250010xxx	Headrail – 16'
5.	4250058000	Tilt Drive Gear
6.	4250051000	Tilt Drive Worm Gear
7.	4250011xxx	Universal Bulkhead Body
8.	4250212000	#6 x 1/2" Square Pan Head Tapping (End Cap) Screw
9.	4250048000	Active SS Dowel Pin 3/32" x 1/2"
10.	4250047000	Cord Pulley
11.	4250012xxx	Universal Bulkhead Cover
12.	4250146000	Square Head Hi-Lo 6–19 x 3/4" (Stationary Carrier) Screw
13.	4250062xxx	Wand Hook with Hook Cover
14.	Wand	
	4250090xxx	21" Standard
	4250091xxx	28" Standard
	4250092xxx	38" Standard
	4250093xxx	48" Standard
	4250095xxx	68" Standard
	4250094xxx	58" Non-Standard
	4250096xxx	78" Non-Standard
	4250097xxx	88" Non-Standard
	4250098xxx	96" Non-Standard
	4250110xxx	120" Non-Standard
	4250111xxx	144" Non-Standard
15.	4250150xxx	Weighted Tether Control Assembly
16.	4250107xxx	Wand Handle & Cover
17.	4250050xxx	D26 Cord
18.	4250114000	Open Bead 5/32"
19.	4250042000	End Cap Wheel
20.	4250102000	Active Center SS Dowel Pin 3/32" x 0.375
21.	End Treatment Swivel Plate Assembly	
	4250120xxx	RH
	4250121xxx	LH
22.	N/A	Luminette® Fabric
23.	4255191000	Traverse Lock
24.	Contour Vane	
	4255196126	White
	4255196000	Clear

xxx = 3 – digit color code