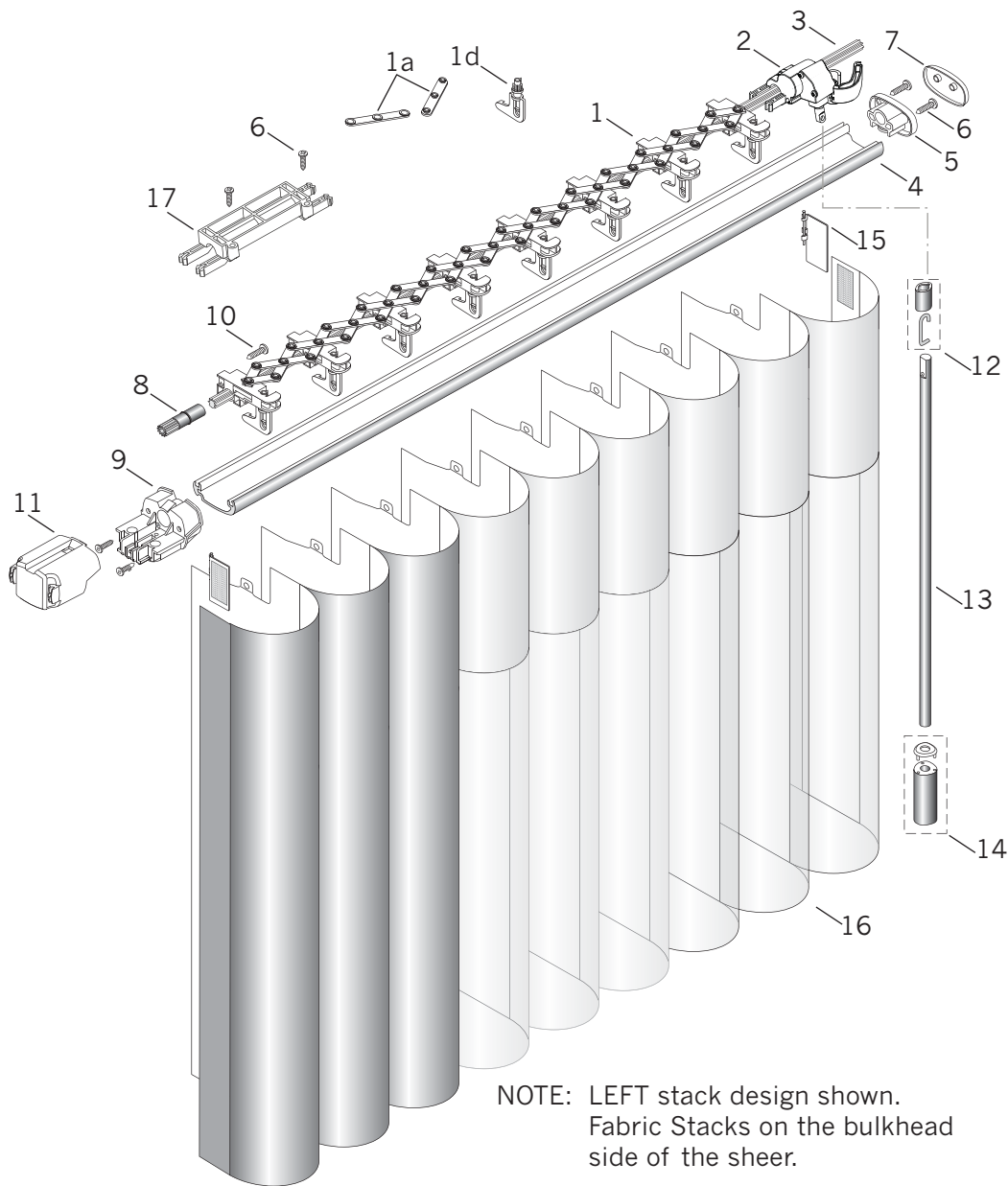


Luminette® Traveling™ Wand



Standard Parts

- | | | |
|----------------------------------|----------------------------------|---|
| 1. Fabric Carrier Group Assembly | 6. Square Pan Head Tapping Screw | 13. Wand |
| 1a. Scissors | 7. Passive End Cap Cover | 14. Wand Handle & Cover |
| 1b. Tilt Reduction Pinion Clip | 8. Tilt Drive Gear | 15. End Treatment Swivel Plate Assembly |
| 2. Traveling Wand Assembly | 9. Universal Bulkhead Body | 16. Fabric |
| 3. Tilt Rod Extrusion | 10. Square Head Hi-Lo Screw | 17. Traverse Lock |
| 4. Headrail | 11. Universal Bulkhead Cover | |
| 5. Passive End Cap Assembly | 12. Wand Hook with Hook Cover | |

Luminette® Traveling™ Wand

No.	PCN	Description
1.	4250355000	Fabric Carrier Group Assembly with Tilt Reduction Pinion Clip
1a.	4250076000	Scissors (Male and Female)
1b.	4250142000	Tilt Reduction Pinion Clip
2.	Traveling Wand Assembly	
	4253112000	RH
	4253111000	LH
3.	Tilt Rod Extrusion – 16'	
	4250470000	Aluminum
	4250360000	Brass
4.	4250010xxx	Headrail – 16'
5.	4250018xxx	Passive End Cap Assembly
6.	4250212000	#6 x 1/2" Square Pan Head Tapping (End Cap) Screw
7.	4250109xxx	Passive End Cap Cover
8.	4250058000	Tilt Drive gear
9.	4250011xxx	Universal Bulkhead Body
10.	4250146000	Square Head Hi-Lo 6-19 x 3/4" (Stationary Carrier) Screw
11.	4250012xxx	Universal Bulkhead Cover
12.	4250062xxx	Wand Hook with Hook Cover
13.	Wand	
	4250090xxx	21" Standard
	4250091xxx	28" Standard
	4250092xxx	38" Standard
14.	4250107xxx	Wand Handle & Cover
15.	End Treatment Swivel Plate Assembly	
	4250120xxx	RH
	4250121xxx	LH
16.	N/A	Luminette® Fabric
17.	4255191000	Traverse Lock

xxx = 3 – digit color code