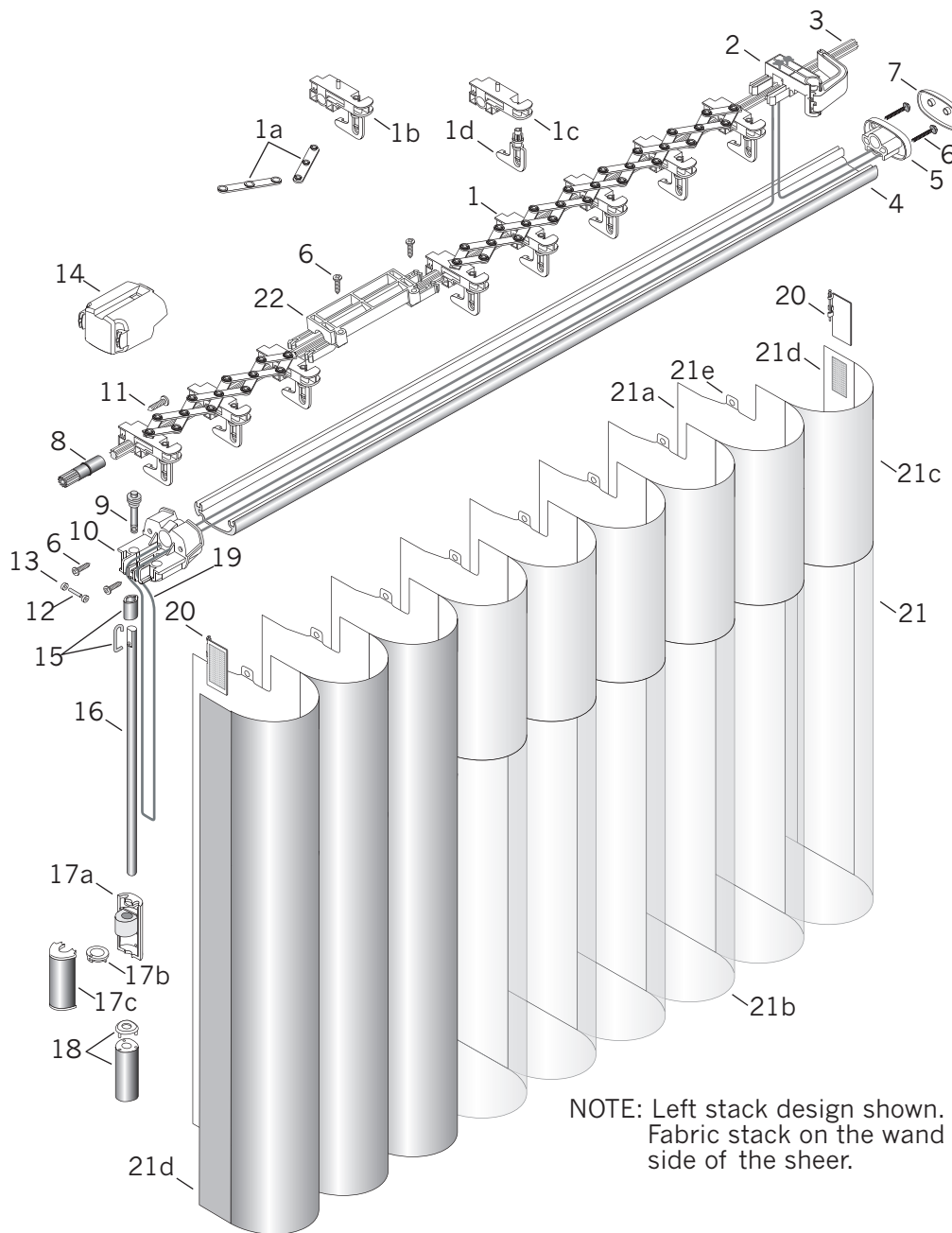


# Luminette® Side Stack



NOTE: Left stack design shown.  
Fabric stack on the wand  
side of the sheer.

## Standard Parts

1. Fabric Carrier Group Assembly
- 1a. Scissors
- 1b. Carrier Body Assembly
- 1c. Carrier Body
- 1d. Tilt Reduction Pinion Clip
2. Lead Carrier Assembly
3. Tilt Rod Extrusion
4. Headrail
5. Passive End Cap Assembly
- 5a. SS Dowel Pin
- 5b. End Cap Wheel
6. Square Pan Head Screw
7. Passive End Cap Cover
8. Tilt Drive Gear
9. Tilt Drive Worm Gear
10. Universal Bulkhead Body
11. Square Head Hi-Lo Screw
12. Active SS Dowel Pin
13. Cord Pulley
14. Universal Bulkhead Cover
15. Wand Hook with Hook Cover
16. Wand
17. Weighted Tether Control
- 17a. Cord Tether Weight Assembly
- 17b. Cord Tether Locking Ring
- 17c. Cord Tether Set Screw
18. Wand Handle & Cover
19. Cord
20. End Treatment Swivel Plate Assembly
21. Fabric
- 21a. Fabric Vane
- 21b. Fabric Face
- 21c. Fabric Valance
- 21d. Fabric End Treatment
- 21e. Polytab
22. Traverse Lock

# Luminette® Side Stack

| <b>No.</b> | <b>PCN</b>                          | <b>Description</b>  | <b>No.</b>                  | <b>PCN</b> | <b>Description</b>  |
|------------|-------------------------------------|---|-----------------------------|------------|---|
| 1.         | 4250355000                          | Fabric Carrier Group Assembly with Tilt Reduction Pinion Clip | 21.                         | Kxx        | Luminette® Fabric   |
| 1a.        | 4250076000                          | Scissors (Male and Female)                                    | 21a.                        | N/A        | Fabric Vane   |
| 1b.        | N/A                                 | Carrier Body Assembly   | 21b.                        | N/A        | Fabric Face   |
| 1c.        | N/A                                 | Carrier Body  | 21c.                        | N/A        | Fabric Valance  |
| 1d.        | N/A                                 | Tilt Reduction Pinion Clip                                    | 21d.                        | N/A        | Fabric End Treatment                                      |
| 2.         | Lead Carrier Assembly               |   | 21e.                        | N/A        | Polytab   |
|            | 4250127xxx                          | RH  | 22.                         | 4255191000 | Traverse Lock   |
|            | 4250128xxx                          | LH  | <b>Additional Hardware:</b> |            |   |
| 3.         | 4250470000                          | Aluminum Tilt Rod Extrusion – 16'                             |                             | 4250085xxx | Ceiling Mount Bracket Kit                                 |
|            | 4250360000                          | Brass Tilt Rod Extrusion – 16'                                |                             | 4250084xxx | Installation Bracket Kit                                  |
| 4.         | 4250010xxx                          | Headrail – 16'  |                             | 4250081xxx | Spacer Block with Bushings                                |
| 5.         | 4250108xxx                          | Passive End Cap Assembly                                      |                             | 4250083xxx | Extension Bracket Cover Kit (Includes Extension Brackets) |
| 6.         | 4250212000                          | #6 x ½" Square Pan Head Tapping (End Cap) Screw               |                             | 4250275xxx | Extra Long Extension Bracket Kit                          |
| 7.         | 4250109xxx                          | Passive End Cap Cover   |                             |            |   |
| 8.         | 4250058000                          | Tilt Drive Gear   |                             |            |   |
| 9.         | 4250051000                          | Tilt Drive Worm Gear  |                             |            |   |
| 10.        | 4250011xxx                          | Universal Bulkhead Body                                       |                             |            |   |
| 11.        | 4250146000                          | Square Head Hi-Lo 6–19 x ¾" (Stationary Carrier) Screw        |                             |            |   |
| 12.        | 4250048000                          | Active SS Dowel Pin ⅜" x ½"                                   |                             |            |   |
| 13.        | 4250047000                          | Cord Pulley   |                             |            |   |
| 14.        | 4250012xxx                          | Universal Bulkhead Cover                                      |                             |            |   |
| 15.        | 4250062xxx                          | Wand Hook with Hook Cover                                     |                             |            |   |
| 16.        | Wand                                |   |                             |            |   |
|            | 4250090xxx                          | 21" Standard  |                             |            |   |
|            | 4250091xxx                          | 28" Standard  |                             |            |   |
|            | 4250092xxx                          | 38" Standard  |                             |            |   |
|            | 4250093xxx                          | 48" Standard  |                             |            |   |
|            | 4250095xxx                          | 68" Standard  |                             |            |   |
|            | 4250094xxx                          | 58" Non-Standard  |                             |            |   |
|            | 4250096xxx                          | 78" Non-Standard  |                             |            |   |
|            | 4250097xxx                          | 88" Non-Standard  |                             |            |   |
|            | 4250098xxx                          | 96" Non-Standard  |                             |            |   |
|            | 4250110xxx                          | 120" Non-Standard   |                             |            |   |
|            | 4250111xxx                          | 144" Non-Standard   |                             |            |   |
| 17.        | 4250150xxx                          | Weighted Tether Control Assembly                              |                             |            |   |
| 17a.       | N/A                                 | Cord Tether Weight  |                             |            |   |
| 17b.       | N/A                                 | Cord Tether Locking Ring With Set Screw                       |                             |            |   |
| 17d.       | N/A                                 | Cord Tether Cover   |                             |            |   |
| 18.        | 4250107xxx                          | Wand Handle & Cover   |                             |            |   |
| 19.        | 4250050xxx                          | D26 Cord  |                             |            |   |
| 20.        | End Treatment Swivel Plate Assembly |   |                             |            |   |
|            | 4250120xxx                          | RH  |                             |            |   |
|            | 4250121xxx                          | LH  |                             |            |   |

xxx = 3-digit color code