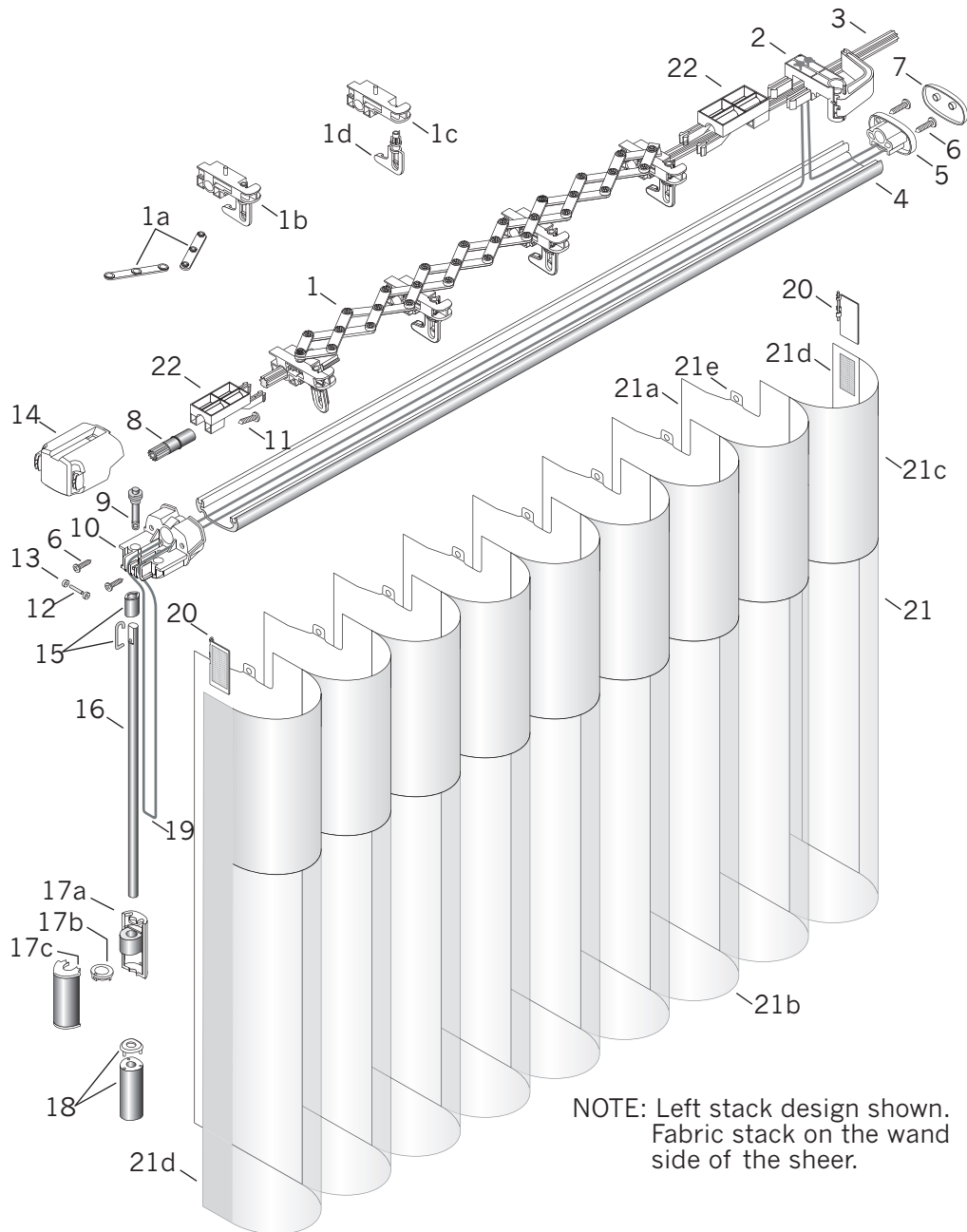


Luminette® Side Stack



NOTE: Left stack design shown.
Fabric stack on the wand
side of the sheer.

Standard Parts

1. Quintette® Carrier Group Assembly
- 1a. Scissors
- 1b. Carrier Body Assembly
- 1c. Carrier Body
- 1d. Tilt Reduction Pinion Clip
2. Lead Carrier Assembly
3. Tilt Rod Extrusion
4. Headrail
5. Passive End Cap Assembly
- 5a. SS Dowel Pin
- 5b. End Cap Wheel
6. Square Pan Head Screw
7. Passive End Cap Cover
8. Tilt Drive Gear
9. Tilt Drive Worm Gear
10. Universal Bulkhead Body
11. Square Head Hi-Lo Screw
12. Active SS Dowel Pin
13. Cord Pulley
14. Universal Bulkhead Cover
15. Wand Hook with Hook Cover
16. Wand
17. Weighted Tether Control
- 17a. Cord Tether Weight Assembly
- 17b. Cord Tether Locking Ring
- 17c. Cord Tether Set Screw
18. Wand Handle & Cover
19. Cord
20. End Treatment Swivel Plate Assembly
21. Fabric
- 21a. Fabric Vane
- 21b. Fabric Face
- 21c. Fabric Valance
- 21d. Fabric End Treatment
- 21e. Polytab
22. Quintette Spacer

Luminette® Side Stack

No.	PCN	Description	No.	PCN	Description
1.	4250356000	Quintette® 4.25" Spaced Carrier Group.	21.	Kxx	Luminette® Fabric
1a.	4250076000	Scissors (Male and Female)	21a.	N/A	Fabric Vane
1b.	N/A	Carrier Body Assembly	21b.	N/A	Fabric Face
1c.	N/A	Carrier Body	21c.	N/A	Fabric Valance
1d.	N/A	Tilt Reduction Pinion Clip	21d.	N/A	Fabric End Treatment
2.	Lead Carrier Assembly		21e.	N/A	Polytab
	4250127xxx	RH	22.	4250271xxx	Quintette Spacer
	4250128xxx	LH	Additional Hardware:		
3.	4250470000	Aluminum Tilt Rod Extrusion – 16'		4250085xxx	Ceiling Mount Bracket Kit
	4250360000	Brass Tilt Rod Extrusion – 16'		4250084xxx	Installation Bracket Kit
4.	4250010xxx	Headrail – 16'		4250081xxx	Spacer Block with Bushings
5.	4250108xxx	Passive End Cap Assembly		4250083xxx	Extension Bracket Cover Kit (Includes Extension Brackets)
6.	4250212000	#6 x ½" Square Pan Head Tapping (End Cap) Screw		4250275xxx	Extra Long Extension Bracket Kit
7.	4250109xxx	Passive End Cap Cover			
8.	4250058000	Tilt Drive Gear			
9.	4250051000	Tilt Drive Worm Gear			
10.	4250011xxx	Universal Bulkhead Body			
11.	4250146000	Square Head Hi-Lo 6–19 x ¾" (Stationary Carrier) Screw			
12.	4250048000	Active SS Dowel Pin ⅜" x ½"			
13.	4250047000	Cord Pulley			
14.	4250012xxx	Universal Bulkhead Cover			
15.	4250062xxx	Wand Hook with Hook Cover			
16.	Wand				
	4250090xxx	21" Standard			
	4250091xxx	28" Standard			
	4250092xxx	38" Standard			
	4250093xxx	48" Standard			
	4250095xxx	68" Standard			
	4250094xxx	58" Non-Standard			
	4250096xxx	78" Non-Standard			
	4250097xxx	88" Non-Standard			
	4250098xxx	96" Non-Standard			
	4250110xxx	120" Non-Standard			
	4250111xxx	144" Non-Standard			
17.	4250150xxx	Weighted Tether Control Assembly			
17a.	N/A	Cord Tether Weight			
17b.	N/A	Cord Tether Locking Ring With Set Screw			
17d.	N/A	Cord Tether Cover			
18.	4250107xxx	Wand Handle & Cover			
19.	4250050xxx	D26 Cord			
20.	End Treatment Swivel Plate Assembly				
	4250120xxx	RH			
	4250121xxx	LH			

xxx = 3-digit color code