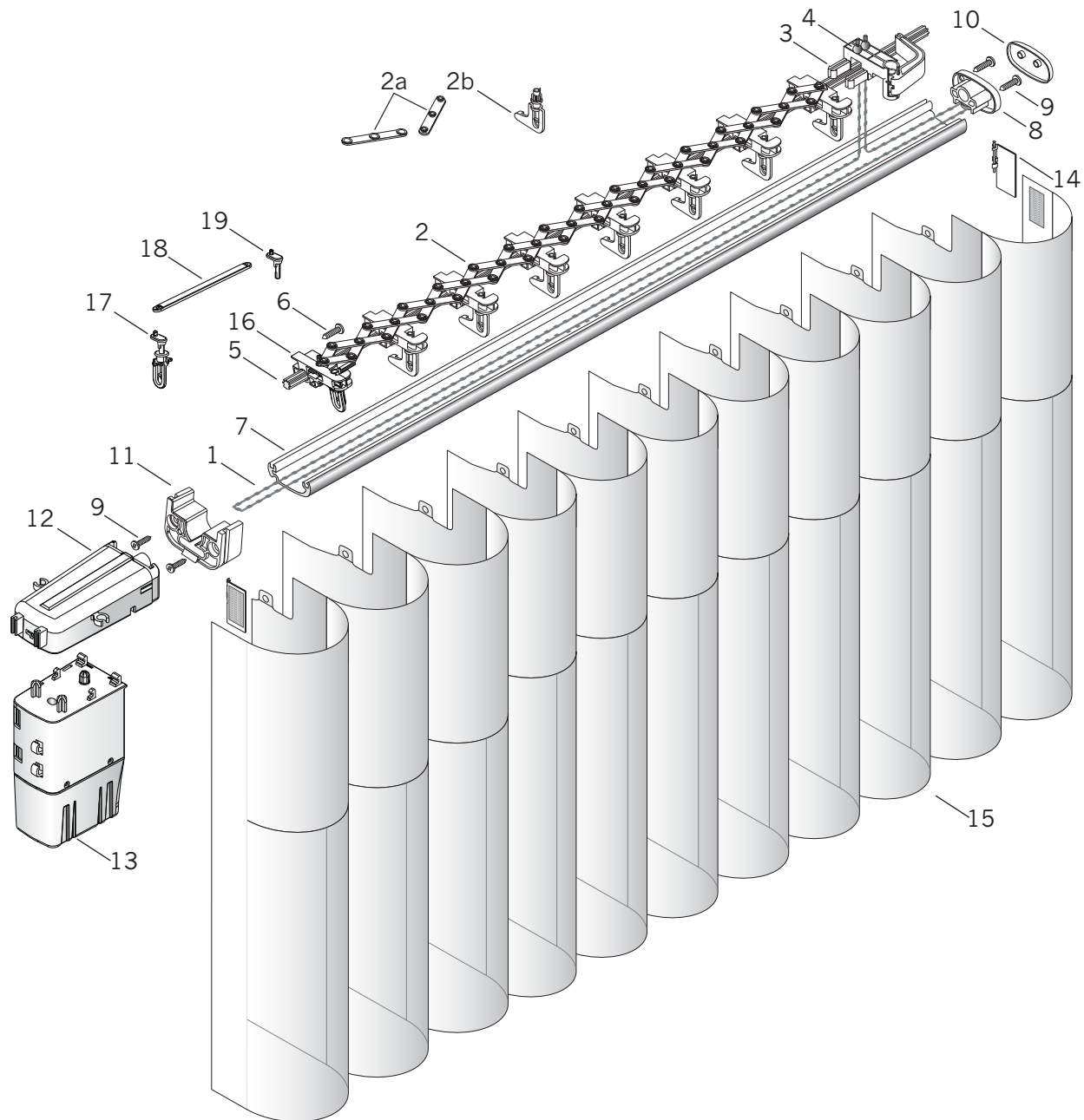


PowerGlide® Motorized Side Stack



Standard Parts

- | | | |
|--|--|---------------------------------------|
| 1. Bead Chain | 6. Square Head Hi-Lo Screw | 13. Motor Assembly |
| 2. Fabric Carrier Group Assembly with Tilt Reduction Pinion Clip | 7. Headrail | 14. End Treatment Swivel Plate |
| 2a. Scissors | 8. Passive End Cap Assembly | 15. Luminette® Fabric |
| 2b. Tilt Reduction Pinion Clip | 9. #6 x 1/2" Square Pan Head Tapping (End Cap) Screw | 16. Center Draw Carrier |
| 3. Lead Carrier Assembly | 10. Passive End Cap Cover | 17. RTTW Tilt Clip With Connector Arm |
| 4. Split Bead Chain Clip | 11. Rail Adaptor | 18. Link |
| 5. Tilt Rod Extrusion | 12. Drive Assembly | 19. Connector Arm |

PowerGlide® Motorized Side Stack

No.	PCN	Description
1.	4254117000	Bead Chain
2.	4250355000	Fabric Carrier Group Assembly with Tilt Reduction Pinion Clip
2a.	4250076000	Scissors (Male and Female)
2b.	4250142000	Tilt Reduction Pinion Clip
3.	Lead Carrier Assembly	
	4250127xxx	RH
	4250128xxx	LH
4.	4254124000	Split Bead Chain Clip (Chain Clip)
5.	Tilt Rod Extrusion – 16'	
	4250470000	Aluminum
	4250360000	Brass
6.	4250146000	Square Head Hi-Lo 6-19 x 3/4" (Stationary Carrier) Screw
7.	4250010xxx	Headrail – 16' Max.
8.	4250108xxx	Passive End Cap Assembly
9.	4250212000	#6 x 1/2" Square Pan Head Tapping (End Cap) Screw
10.	4250109xxx	Passive End Cap Cover
11.	4254270xxx	Rail Adaptor (Motor Mount)
12.	4254210126	Drive Assembly
13.	4254220000	Motor Assembly
14.	End Treatment Swivel Plate	
	4250120xxx	RH
	4250121xxx	LH
15.	N/A	Luminette® Fabric
16.	Center Draw Carrier	
	4250345000	RH
	4250350000	LH
17.	4254240126	RTTW Tilt Clip With Connector Arm
18.	4254230000	Link
19.	4254240000	Connector Arm

xxx = 3-digit color code