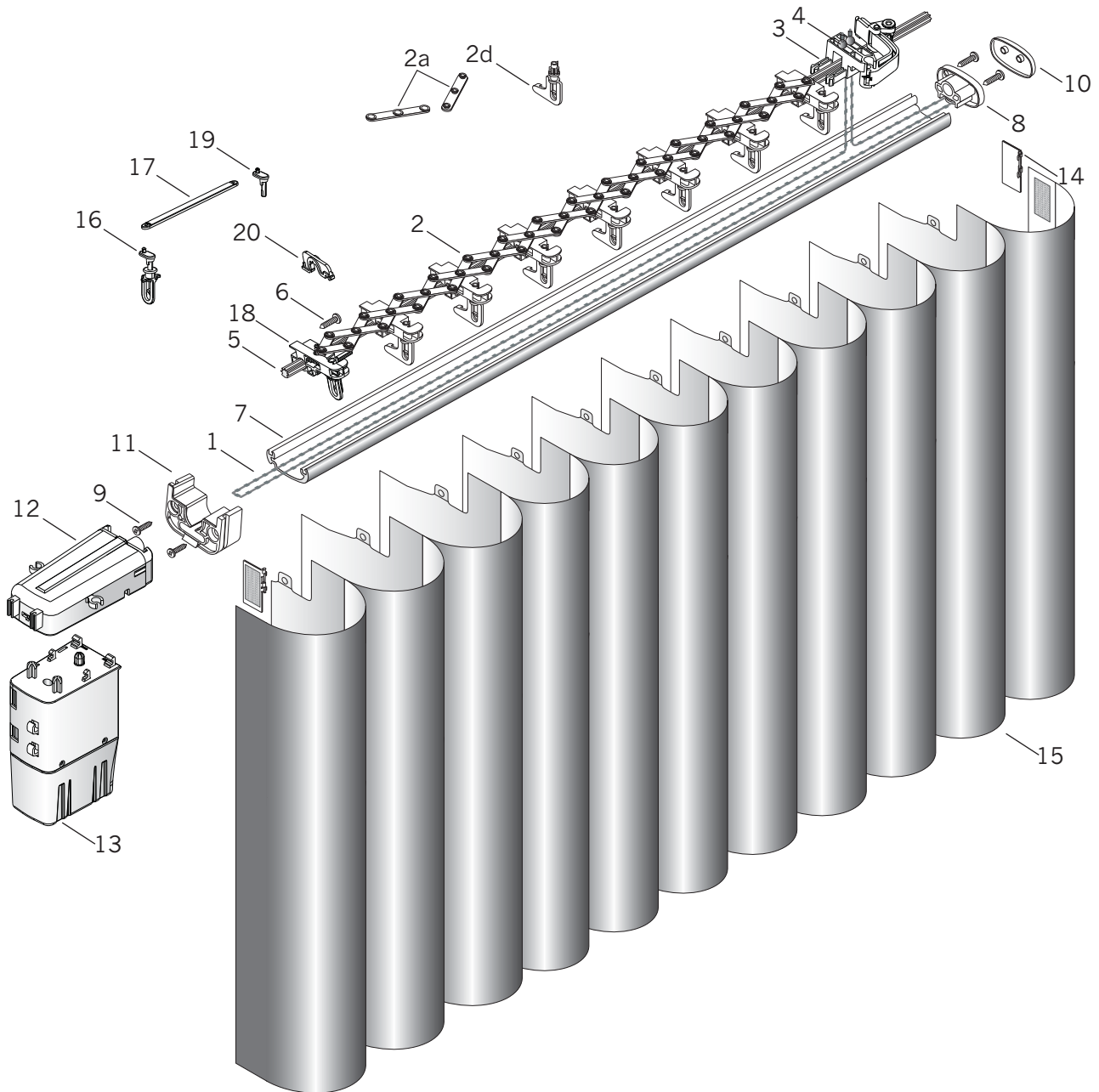


PowerGlide® Motorized Side Stack, Returns To The Wall



Standard Parts

- | | | |
|--|---|---------------------------------------|
| 1. Bead Chain | 7. Headrail | 15. Luminette® Fabric |
| 2. Fabric Carrier Group Assembly with Tilt Reduction Pinion Clip | 8. Passive End Cap Assembly | 16. RTTW Tilt Clip With Connector Arm |
| 2a. Scissors | 9. #6 x " Square Pan Head Tapping (End Cap) Screw | 17. Link |
| 2b. Tilt Reduction Pinion Clip | 10. Passive End Cap Cover | 18. Center Draw Carrier |
| 3. Lead Carrier Assembly | 11. Rail Adaptor | 19. Connector Arm |
| 4. Split Bead Chain Clip | 12. Drive Assembly | 20. Tilt Lock |
| 5. Tilt Rod Extrusion | 13. Motor Assembly | |
| 6. Square Head Hi-Lo Screw | 14. End Treatment Swivel Plate | |

PowerGlide® Motorized Side Stack, Returns To The Wall

No.	PCN	Description
1.	4254117000	Bead Chain
2.	4250355000	Fabric Carrier Group Assembly with Tilt Reduction Pinion Clip
2a.	4250076000	Scissors (Male and Female)
2b.	4250142000	Tilt Reduction Pinion Clip
3.	Lead Carrier Assembly	
	4254300126	RH
	4254301126	LH
4.	4254124000	Split Bead Chain Clip (Chain Clip)
5.	Tilt Rod Extrusion – 16'	
	4250470000	Aluminum
	4250360000	Brass
6.	4250146000	Square Head Hi-Lo 6-19 x " (Stationary Carrier) Screw
7.	4250010xxx	Headrail – 16' Max.
8.	4250108xxx	Passive End Cap Assembly
9.	4250212000	#6 x " Square Pan Head Tapping (End Cap) Screw
10.	4250109xxx	Passive End Cap Cover
11.	4254270xxx	Rail Adaptor (Motor Mount)
12.	4254210126	Drive Assembly
13.	4254220000	Motor Assembly PowerGlide® 2.0 (Traverse Only)
14.	End Treatment Swivel Plate	
	4250120xxx	RH
	4250121xxx	LH
15.	N/A	Luminette® Fabric
16.	4254240126	RTTW Tilt Clip With Connector Arm
17.	4254230000	Link
18.	Center Draw Carrier	
	4250345000	RH
	4250350000	LH
19.	4254240000	Connector Arm
20.	4255197000	Tilt Lock

xxx = 3-digit color code