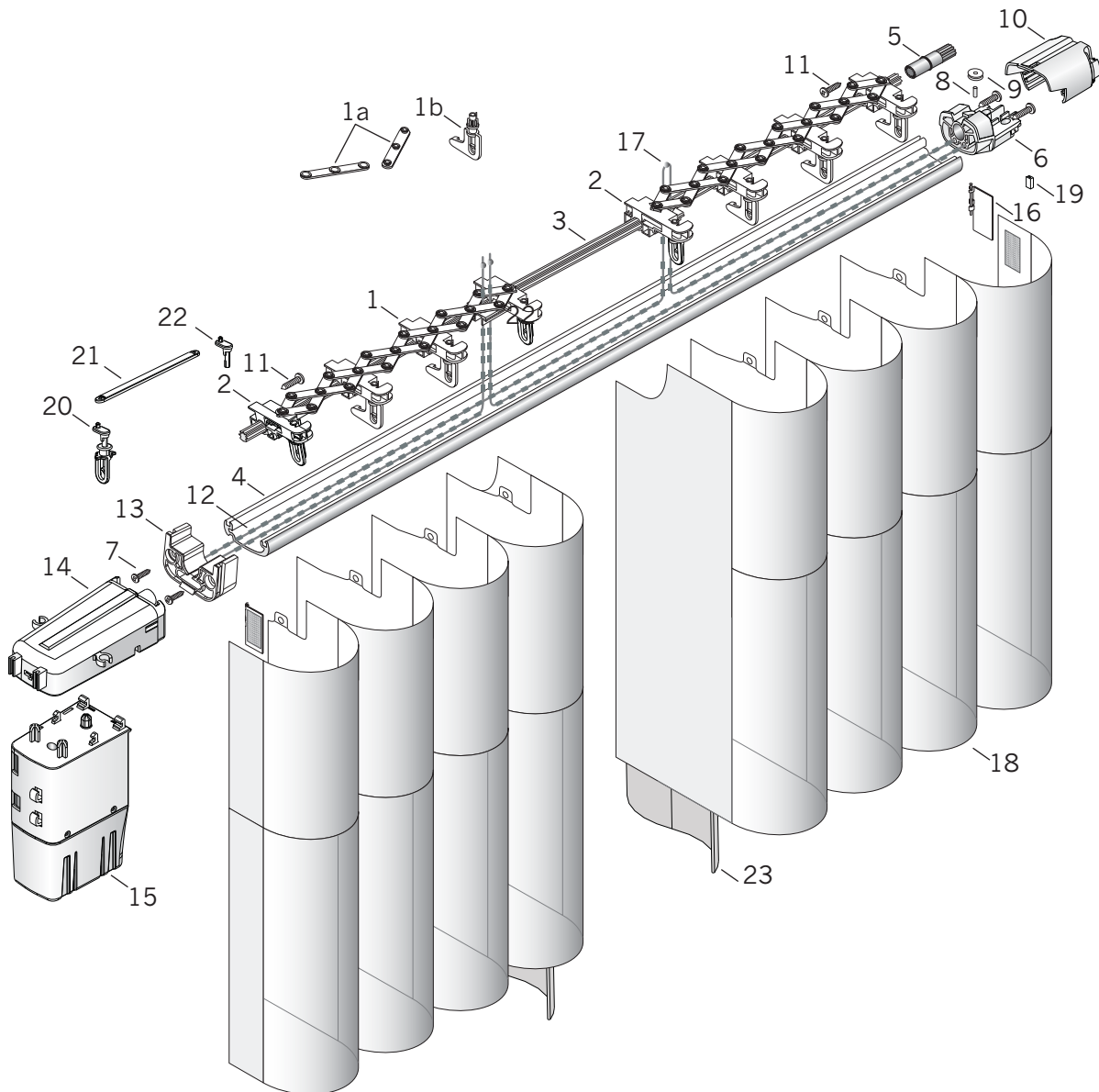


PowerGlide® Motorized Split Stack



Standard Parts

- | | | |
|---|---|--|
| 1. Fabric Carrier Group Assembly
w/ Tilt Reduction Pinion Clip | 7. #6 x 1/2" Square Pan Head
Tapping (End Cap) Screw | 16. End Treatment Swivel Plate |
| 1a. Scissors | 8. Active Center SS Dowel Pin | 17. Split Bead Chain Clip |
| 1b. Tilt Reduction Pinion Clip | 9. End Cap Wheel | 18. Luminette® Fabric |
| 2. Center Draw Carrier Assembly | 10. Universal Bulkhead Cover | 19. Swivel Catch |
| 3. Tilt Rod Extrusion | 11. Square Head Hi-Lo Screw | 20. RTTW Tilt Clip w/ Connector
Arm |
| 4. Headrail | 12. Bead Chain | 21. Link |
| 5. Tilt Drive Gear | 13. Rail Adaptor (Motor Mount) | 22. Connector Arm |
| 6. Universal Bulkhead Body | 14. Drive Assembly | 23. Contour Vane |
| | 15. Motor Assembly | |

PowerGlide® Motorized Split Stack

No.	PCN	Description
1.	4250355000	Fabric Carrier Group Assembly ^{w/} Tilt Reduction Pinion Clip
1a.	4250076000	Scissors (Male and Female)
1b.	N/A	Tilt Reduction Pinion Clip
2.	Center Draw (Split Draw) Carrier Assembly	
	4250345000	RH
	4250350000	LH
3.	Tilt Rod Extrusion – 16'	
	4250470000	Aluminum
	4250360000	Brass
4.	4250010xxx	Headrail – 16'
5.	4250058000	Tilt Drive Gear
6.	4250011xxx	Universal Bulkhead Body
7.	4250212000	#6 x 1/2" Square Pan Head Tapping (End Cap) Screw
8.	4250102000	Active Center SS Dowel Pin 3/32" x 0.375"
9.	4250042000	End Cap Wheel
10.	4250012xxx	Universal Bulkhead Cover
11.	4250146000	Square Head Hi-Lo 6-19 x 3/4" (Stationary Carrier) Screw
12.	4254117000	Bead Chain
13.	4254270xxx	Rail Adaptor (Motor Mount)
14.	4254210126	Drive Assembly
15.	4254220000	Motor Assembly
16.	End Treatment Swivel Plate	
	4250120xxx	RH
	4250121xxx	LH
17.	4254124000	Split Bead Chain Clip (Chain Clip)
18.	N/A	Luminette® Fabric
19.	4254128xxx	Swivel Catch
20.	4254240126	RTTW Tilt Clip ^{w/} Connector Arm
21.	4254230000	Link
22.	4254240000	Connector Arm
23.	Contour Vane	
	4255196126	White
	4255196000	Clear

xxx = 3-digit color code