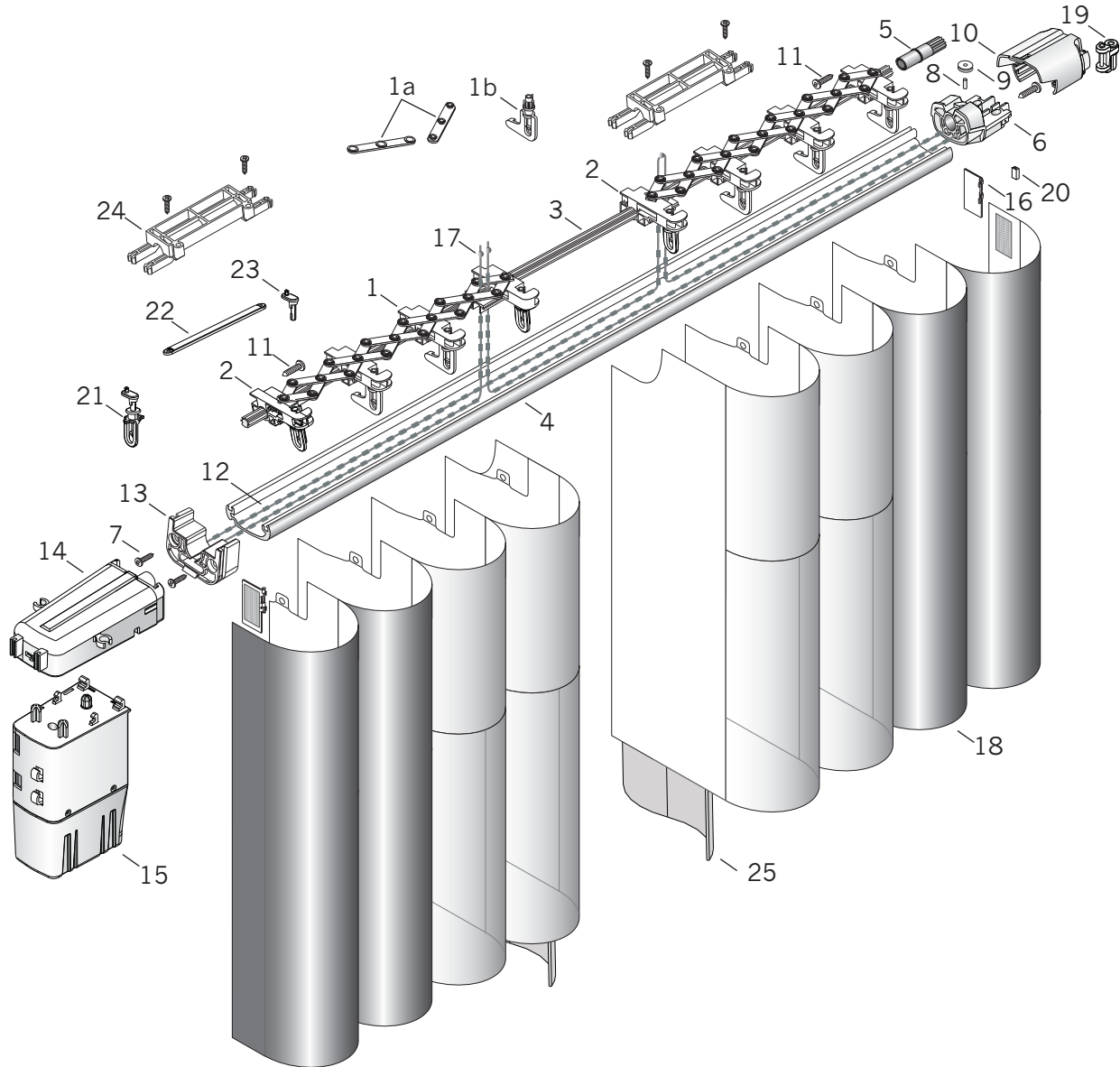


# PowerGlide® Motorized Split Stack Returns To The Wall



## Standard Parts

- |  |                                |                                       |
|--|--------------------------------|---------------------------------------|
| 1. Fabric Carrier Group Assembly w/ Tilt Reduction Pinion Clip | 8. Active Center SS Dowel Pin  | 19. Cover Extension                   |
| 1a. Scissors   | 9. End Cap Wheel               | 20. Swivel Catch                      |
| 1b. Tilt Reduction Pinion Clip                                 | 10. Universal Bulkhead Cover   | 21. RTTW Tilt Clip With Connector Arm |
| 2. Center Draw Carrier Assembly                                | 11. Square Head Hi-Lo Screw    | 22. Link                              |
| 3. Tilt Rod Extrusion  | 12. Bead Chain                 | 23. Connector Arm                     |
| 4. Headrail  | 13. Rail Adaptor (Motor Mount) | 24. Traverse Lock                     |
| 5. Tilt Drive Gear   | 14. Drive Assembly             | 25. Contour Vane                      |
| 6. Universal Bulkhead Body                                     | 15. Motor Assembly             |                                       |
| 7. #6 x 1/2" Square Pan Head Tapping (End Cap) Screw           | 16. End Treatment Swivel Plate |                                       |
|  | 17. Split Bead Chain Clip      |                                       |
|  | 18. Luminette® Fabric          |                                       |

## PowerGlide® Motorized Split Stack Returns To The Wall

<b>No.</b>	<b>PCN</b>	<b>Description</b>
1.	4250355000	Fabric Carrier Group Assembly <sup>w/</sup> Tilt Reduction Pinion Clip
1a.	4250076000	Scissors (Male and Female)
1b.	4250142000	Tilt Reduction Pinion Clip
2.	Center Draw (Split Draw) Carrier Assembly	
	4250345000	RH
	4250350000	LH
3.	Tilt Rod Extrusion – 16'	
	4250470000	Aluminum
	4250360000	Brass
4.	4250010xxx	Headrail – 16'
5.	4250058000	Tilt Drive Gear
6.	4250011xxx	Universal Bulkhead Body
7.	4250212000	#6 x 1/2" Square Pan Head Tapping (End Cap) Screw
8.	4250102000	Active Center SS Dowel Pin 3/32" x 0.375"
9.	4250042000	End Cap Wheel
10.	4250012xxx	Universal Bulkhead Cover
11.	4250146000	Square Head Hi-Lo 6-19 x 3/4" (Stationary Carrier) Screw
12.	4254117000	Bead Chain
13.	4254270xxx	Rail Adaptor (Motor Mount)
14.	4254210126	Drive Assembly
15.	4254220000	Motor Assembly
16.	End Treatment Swivel Plate	
	4250120xxx	RH
	4250121xxx	LH
17.	4254124000	Split Bead Chain Clip (Chain Clip)
18.	N/A	Luminette® Fabric
19.	4254127xxx	Cover Extension
20.	4254128xxx	Swivel Catch
21.	4254240126	RTTW Tilt Clip With Connector Arm
22.	4254230000	Link
23.	4254240000	Connector Arm
24.	4255191000	Traverse Lock
25.	Contour Vane	
	4255196126	White
	4255196000	Clear

xxx = 3-digit color code