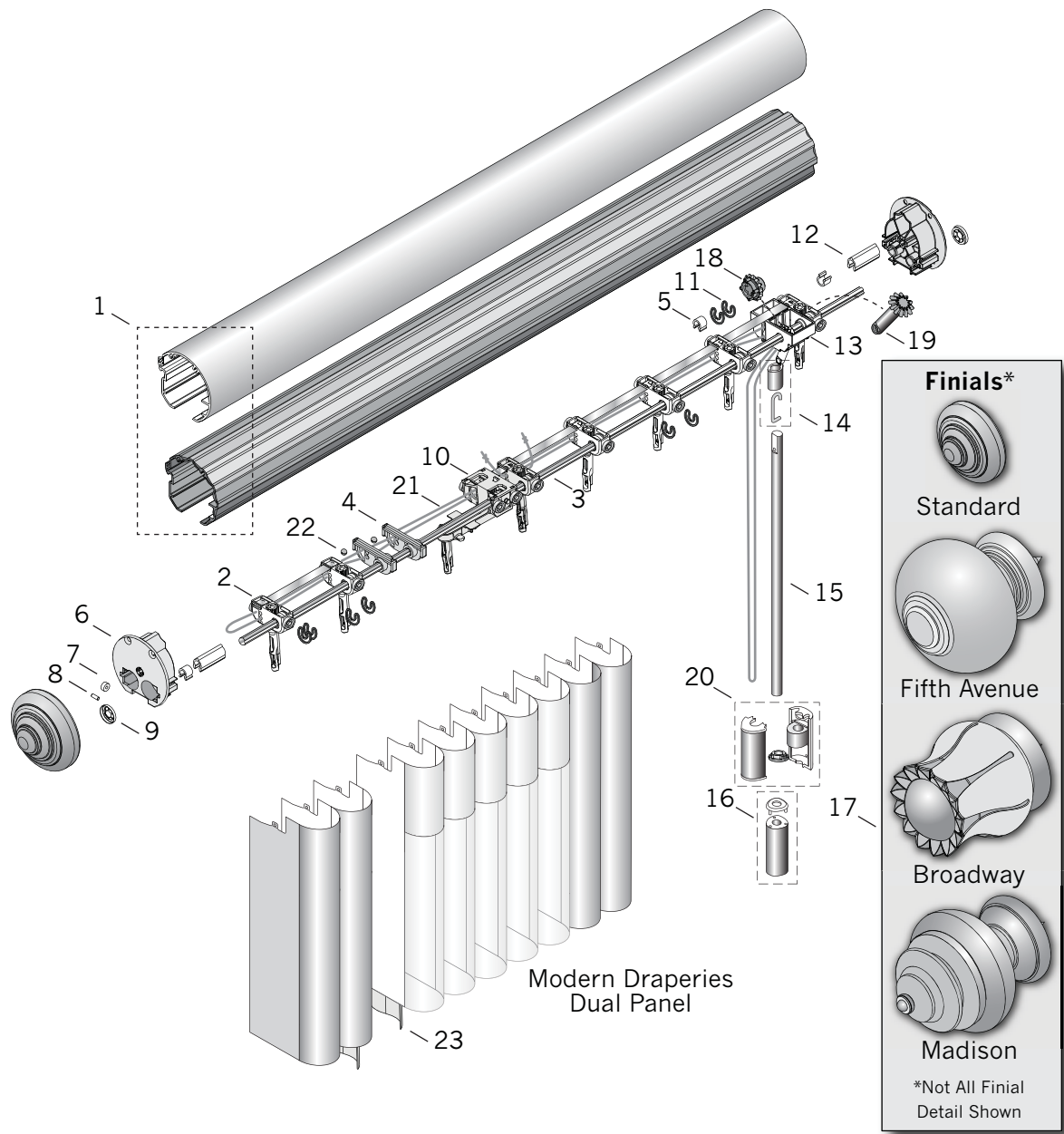


Manhattan™ Traditional™ Offset Stack



Standard Parts

- | | | |
|------------------------------|----------------------------|-----------------------------------|
| 1. Headrail | 9. Star Fastener | 17. Finials |
| 2. Carrier Assembly | 10. Lead Carrier | 18. Tilt Gear |
| 3. Tilt Rod | 11. Stop "C" Clip | 19. Drive Gear |
| 4. Rod Support | 12. 1" Omega Spacer | 20. Weighted Cord Tether Assembly |
| 5. 1/4" Omega Spacer | 13. Tilt Control Assembly | 21. Cord |
| 6. End Plate | 14. Wand Hook & Hook Cover | 22. Open Bead 5/32" |
| 7. Cord Pulley | 15. Wand, Standard | 23. Clear Contour Vane |
| 8. Stainless Steel Dowel Pin | 16. Wand Handle & Cover | |

Manhattan™ Traditional™ Offset Stack

No.	PCN	Description
1.	Headrail	
	4256147xxx	Round
	4256171xxx	Fluted
2.	Carrier Assembly	
	4256324000	LH Classic 2.865"
	4256322000	RH Classic 2.865
	4256325000	Quintette® LH
	4256323000	Quintette RH
3.	98860	Tilt Rod
4.	96811	Rod Support
5.	PC0570	¼" Omega Spacer
6.	4256216xxx	End Plate
7.	4250047000	Cord Pulley
8.	4250049000	Stainless Steel Dowel Pin ⅜" x ¼"
9.	7704842	Star Fastener
10.	Lead Carrier	
	4256183000	Classic RH
	4256188000	Classic LH
	4256320000	Quintette® RH
	4256321000	Quintette LH
11.	7704841	Stop "C" Clip
12.	PC0453	1" Omega Spacer
13.	4256210XXX	Tilt Control Assembly
14.	4250062XXX	Wand Hook & Hook Cover
15.	Wand, Standard	
	4250090000	12"
	4250094000	28"
	4250092000	38"
	4250094000	58"
16.	425017XXX	Wand Handle & Cover
17.	Finials	
	4256186xxx	Standard Finial
	4256600xxx	Fifth Avenue (Optional)
	4256500xxx	Broadway (Optional)
	4256400xxx	Madison (Optional)
18.	4256222000	Tilt Gear (used on Traditional Dual Panel & Privacy Sheers – NOT Full Panel)
19.	4256221000	Drive Gear
20.	4250150xxx	Weighted Cord Tether Assembly
21.	4250050xxx	Cord
22.	4250114000	Open Bead ⅝"
23.	4255196000	Clear Contour Vane

XXX = Color Code