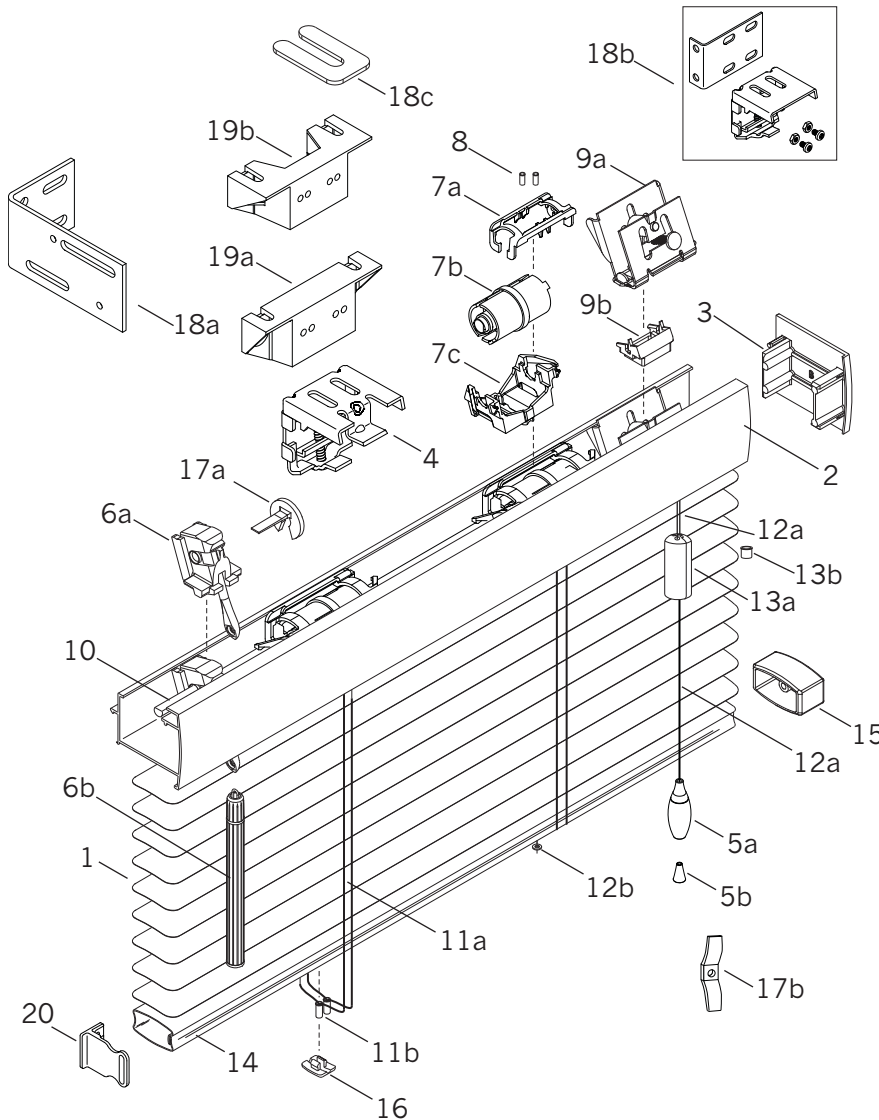


1" Reveal™ with MagnaView™



Standard Parts

1. Slat
2. Headrail
3. Headrail End Cap
4. Hidden Installation Bracket
- 5a. Tassel
- 5b. Conical Tassel Washer
- 6a. Wand Tilter
- 6b. Wand
- 7a. Tape Roll Support Cover
- 7b. Tape Roll
- 7c. Tape Roll Support
8. X-Tape Locator Grommet
- 9a. Cordlock
- 9b. Cordlock Adaptor With Separator
10. Tiltrod
- 11a. Cable Tape Ladder
- 11b. Cable Tape Grommet
- 12a. Lift Cord
- 12b. Lift Cord Grommet
- 13a. Cord Stop
- 13b. Cord Stop Washer
14. Bottom Rail
15. Bottom Rail End Cap
16. Tape Button
- 17a. Tilter Lock
- 17b. Child Safety Kit (Cord Cleat)

Optional Parts

- 18a. Extension Bracket
- 18b. End Mount Bracket Kit
- 18c. Bracket Shim
- 19a. 1/2" Spacer Block
- 19b. 7/8" Spacer Block
20. Reveal Hold-Down Bracket

1" Reveal™ with MagnaView™

No.	PCN	Description
1.	5001400xxxH	0.008" x 25 mm Slat
2.	5908200xxx	Nested Universal Rail – 96 ft.
	5908100xxx	Nested Universal Rail – 192 ft.
3.	5908034xxx	Headrail End Cap
4.	5908135000	Hidden Installation Bracket
5a.	7003093000	Decorative Tassel
5b.	7003094000	Conical Tassel Washer
6a.	5908567000	1" Wand Tilter Assembly – No Clutch
6b.	5008508000	12" Wand Assembly
	5008501000	20" Wand Assembly
	5008502000	30" Wand Assembly
	5008503000	40" Wand Assembly
	5008504000	50" Wand Assembly
	5008505000	60" Wand Assembly
	5008570000	70" Wand Assembly
	5008578000	78" Wand Assembly
	5008506000	90" Wand Assembly
	5008507000	120" Wand Assembly
7a.	5008659000	1" Reveal™ Tape Roll Support Cover
7b.	5909569000	1" Reveal Tape Roll
7c.	5908574000	1" Reveal Tape Roll Support
8.	5008047000	X-Tape Locator Grommet (Top)
9a.	5008564000	Cordlock
9b.	5908564000	Cordlock Adaptor With Separator
10.	5908027000	Tiltrod – 16 ft.
11a.	5908082xxx	36 mm Cable Tape – Colors
	5908082530	36 mm Cable Tape – Natural
	5908084xxx	36 mm Cable Tape – Duotone
11b.	5007308000	Cable Tape Grommet (Bottom)
12a.	5009075xxx	Lift Cord – 1.4 mm
12b.	5008083000	Lift Cord Grommet
13a.	7007736xxx	Cylindrical Cord Stop, 500 pack
	7007636xxx	Cylindrical Cord Stop, 100 pack
13b.	5008087000	Cord Stop Washer
14.	N/A	Bottom Rail (nested with headrail)
15.	5009033xxx	¾" Bottom Rail End Cap
16.	5009035xxx	Tape Button Aluminum
17a.	5907202000	Plastic Tilter Lock
17b.	2980246000	Child Safety Kit (Cord Cleat)
Optional Parts:		
18a.	5908072000	Extension Bracket
18b.	5908139000	End Mount Bracket Kit (each set contains (2) ea.: end mount brackets, installation brackets and attachment screws)
18c.	5908237000	Bracket Shim
19a.	5907230000	½" Spacer Block with Screws
19b.	5907890000	⅞" Spacer Block with Screws
20.	7007079000	Reveal Hold-Down Bracket

xxx = 3-digit color code