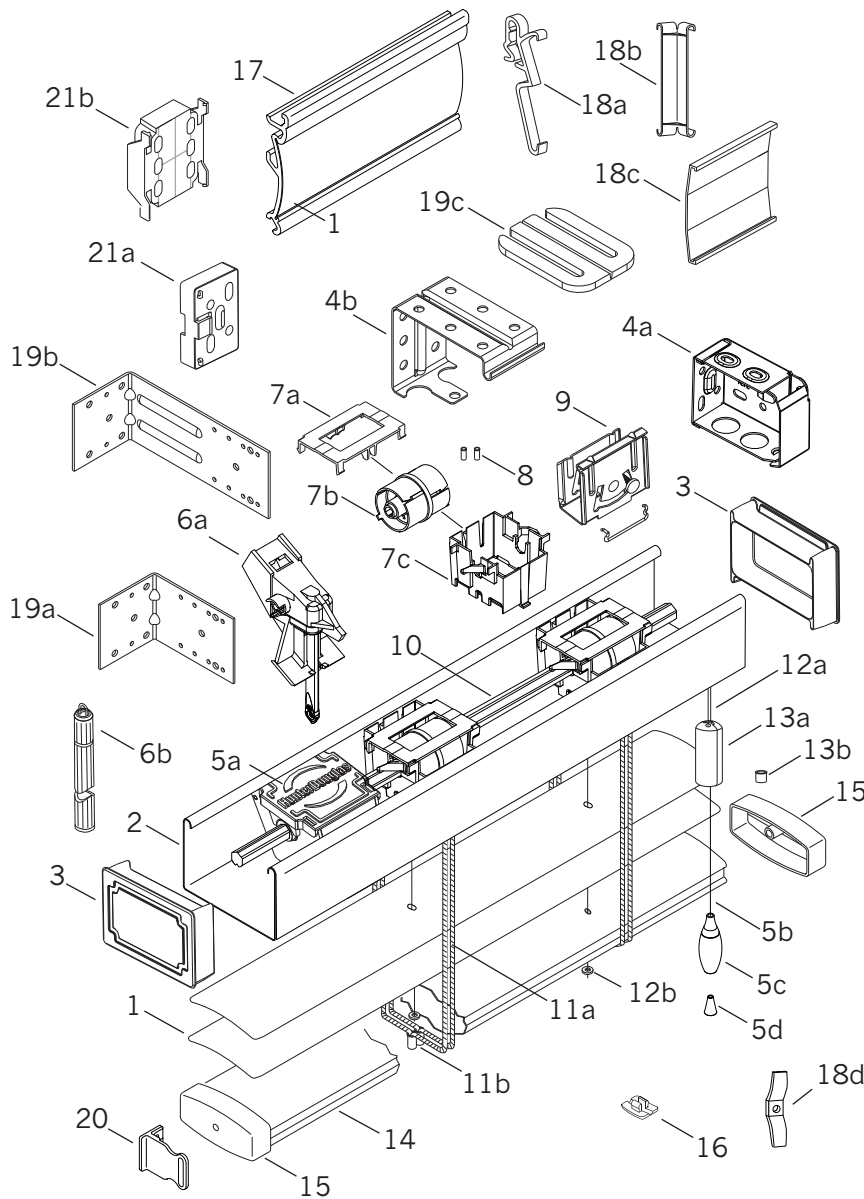


2" Reveal™ with MagnaView™



Standard Parts

1. Slat
2. Headrail
3. Headrail End Cap
- 4a. Installation Bracket
- 4b. Intermediate Support Bracket
- 5a. Cord Tilter
- 5b. Tilt Cord
- 5c. Tassel
- 5d. Conical Tassel Washer
- 6a. Wand Tilter
- 6b. Wand
- 7a. Tape Roll Support Cover
- 7b. Tape Roll
- 7c. Tape Roll Support
8. X-Tape Locator Grommet
9. Cordlock
10. Tiltrod
- 11a. Cable Tape Ladder
- 11b. Cable Tape Grommet
- 12a. Lift Cord
- 12b. Lift Cord Grommet
- 13a. Cord Stop
- 13b. Cord Stop Washer
14. Bottom Rail
15. Bottom Rail End Cap
16. Tape Button
17. Valance
- 18a. Valance Clip
- 18b. Valance Corner Key
- 18c. Valance Splice Clip
- 18d. Child Safety Kit (Cord Cleat)

Optional Parts

- 19a. Short Extension Bracket
- 19b. Long Extension Bracket
- 19c. Bracket Shim
20. Reveal Hold-Down Bracket
- 21a. Spacer Block (Bracket)
- 21b. Spacer Block (Support Bracket)

2" Reveal™ with MagnaView™

No.	PCN	Description	No.	PCN	Description
1.	5001200xxxH	0.008" x 50 mm Slat	18a.	7007845000	Universal Valance Clip
2.	5003006xxx	2" Low Profile Headrail	18b.	7007444000	Universal Valance Corner Key
3.	5908035000	2" Low Profile Headrail End Cap	18c.	7007541000	Valance Splice Clip
4a.	5003046xxx	2" Low Profile Installation Bracket	18d.	2980246000	Child Safety Kit (Cord Cleat)
4b.	5003158000	2" Low Profile Intermediate Support Bracket	Optional Parts:		
5a.	5003874000	2" Low Profile Cord Tilter EPIC™	19a.	5003167000	Extension Bracket (Short)
5b.	5009075xxx	Tilt Cord	19b.	5003168000	Extension Bracket (Long)
5c.	7003093000	Decorative Tassel	19c.	7007069000	1/8" Bracket Shim
5d.	7003094000	Conical Tassel Washer	20.	7007079000	Reveal Hold-Down Bracket
6a.	5003768000	2" Low Profile Wand Tilter	21a.	5003142000	Spacer Block (2" Low Profile Bracket)
6b.	5008508000	12" Wand Assembly	21b.	5003156000	Spacer Block (2" Low Profile Support Bracket)
	5008501000	20" Wand Assembly	xxx = 3-digit color code		
	5008502000	30" Wand Assembly			
	5008503000	40" Wand Assembly			
	5008504000	50" Wand Assembly			
	5008505000	60" Wand Assembly			
	5008570000	70" Wand Assembly			
	5008578000	78" Wand Assembly			
	5008506000	90" Wand Assembly			
	5008507000	120" Wand Assembly			
7a.	5003658000	2" Reveal™ Tape Roll Support Cover			
7b.	5003659000	2" Reveal Tape Roll			
7c.	5003576000	2" Reveal Tape Roll Support			
8.	5008047000	X-Tape Locator Grommet (Top)			
9.	5003367000	2" Low Profile Cordlock EPIC			
10.	5003033000	2" Low Profile Tiltrod (Asymmetrical Hex)			
11a.	5003089xxx	84mm Cable Tape Ladder			
11b.	5003308000	2" Cable Tape Grommet (Bottom)			
12a.	5009075xxx	1.4 mm Lift Cord			
12b.	5008083000	Lift Cord Grommet			
13a.	7007736xxx	Cylindrical Cord Stop, 500 pack			
	7007636xxx	Cylindrical Cord Stop, 100 pack			
13b.	5008087000	Cord Stop Washer			
14.	5003023xxx	2" Bottom Rail			
15.	5003093xxx	2" Bottom Rail End Cap			
16.	5009035xxx	Tape Button Aluminum			
17.	7005495xxx	2" Decorative Valance – 198 ft.			