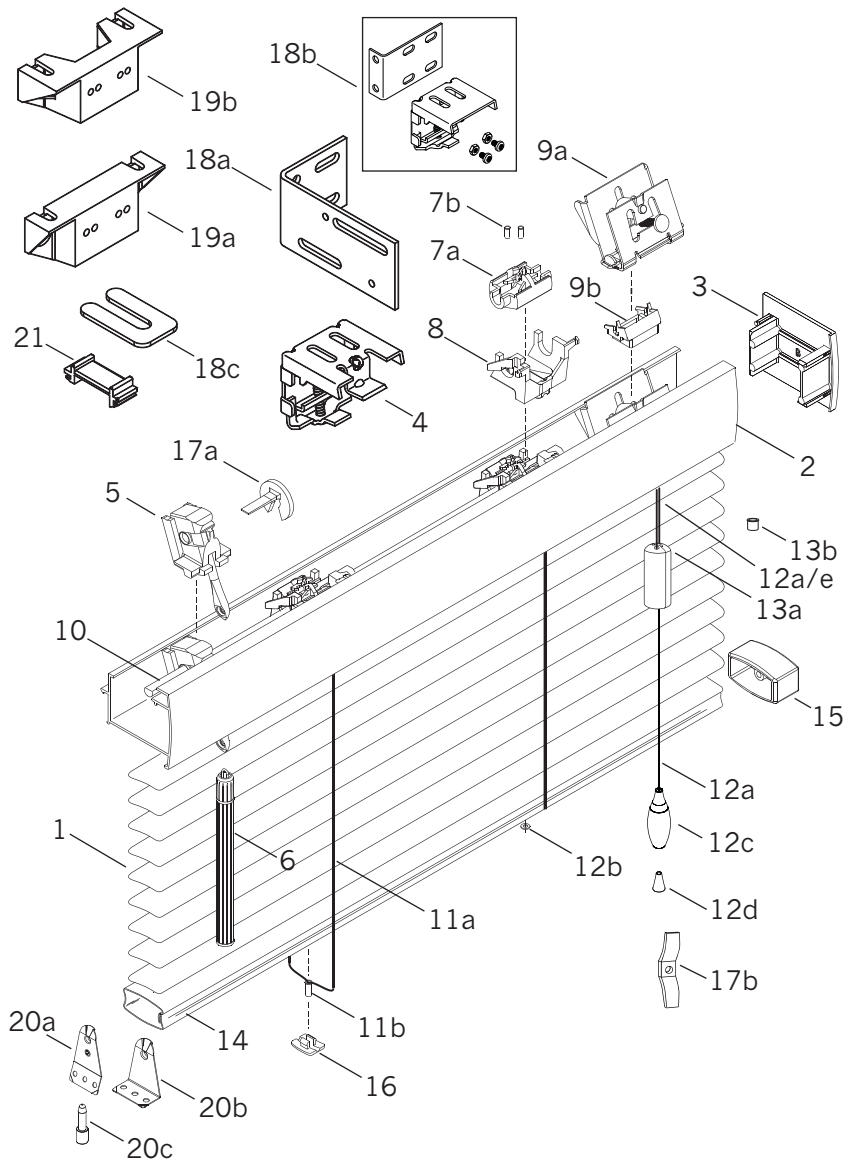


# 1/2" Lightlines®/Décor®



## Standard Parts

1. Slat
2. Headrail
3. Headrail End Cap
4. Hidden Installation Bracket
5. Wand Tilter
6. Wand
- 7a. Tape Roll
- 7b. X-Tape Locator Grommet
8. Tape Roll Support
- 9a. Cordlock
- 9b. Cordlock Adaptor With Separator
10. Tiltrod
- 11a. Cable Tape Ladder
- 11b. Cable Tape Grommet
- 12a. Lift Cord
- 12b. Lift Cord Grommet
- 12c. Tassel
- 12d. Conical Tassel Washer
- 12e. Tilt Cord (Micro Lightlines)
- 13a. Cord Stop
- 13b. Cord Stop Washer
14. Bottom Rail
15. Bottom Rail End Cap
16. Tape Button
- 17a. Tilter Lock
- 17b. Child Safety Kit (Cord Cleat)

## Optional Parts

- 18a. Extension Bracket
- 18b. End Mount Bracket Kit
- 18c. Bracket Shim
- 19a. 1/2" Spacer Block
- 19b. 7/8" Spacer Block
- 20a. Metal Hold-Down Bracket (Jamb)
- 20b. Metal Hold-Down Bracket (Sill)
- 20c. Hold-Down Pin
21. Cord Bridge

# 1/2" Lightlines®/Décor®

<b>No.</b>	<b>PCN</b>	<b>Description</b>	<b>No.</b>	<b>PCN</b>	<b>Description</b>
1.	5001600xxxH	0.008" x 16 mm Slat	17a.	5907202000	Plastic Tilter Lock
2.	5908200xxx	Nested Universal Rail (with bottom rail nested) – 96 ft.	17b.	2980246000	Child Safety Kit (Cord Cleat)
	5908100xxx	Nested Universal Rail (with bottom rail nested) – 192 ft.	<b>Optional Parts:</b>		
3.	5908034xxx	Convex Headrail End Cap	18a.	5908072000	Extension Bracket
4.	5908135000	Hidden Installation Bracket	18b.	5908139000	End Mount Bracket Kit (each set contains (2) ea.: end mount brackets, installation brackets and attachment screws)
5.	5908566000	Wand Tilter Assembly	18c.	5908237000	Bracket Shim
6.	5008508000	12" Wand Assembly	19a.	5907230000	½" Spacer Block with Screws
	5008501000	20" Wand Assembly	19b.	5907890000	¾" Spacer Block with Screws
	5008502000	30" Wand Assembly	20a.	5007309000	Metal Hold-Down Bracket (Jamb)
	5008503000	40" Wand Assembly	20b.	5007310000	Metal Hold-Down Bracket (Sill)
	5008504000	50" Wand Assembly	20c.	5007307000	Hold-Down Pin
	5008505000	60" Wand Assembly	21.	5909561000	Cord Bridge
	5008507000	70" Wand Assembly			
	5008578000	78" Wand Assembly			
	5008506000	90" Wand Assembly			
	5008507000	120" Wand Assembly			
7a.	5909568000	Micro Tape Roll			
7b.	5008047000	X-Tape Locator Grommet (Top)			
8.	5907567000	Tape Roll Support			
9a.	5009584000	Cordlock (used on Micro Lightlines with 0.9 mm tilt cord)			
9b.	5908564000	Cordlock Adaptor With Separator (used on Micro Decor with 1.4 mm tilt cord)			
10.	5908027000	Tiltrod – 16 ft.			
11a.	5009071xxx	Micro Cable Tape Ladder – 12 mm			
11b.	5007308000	Cable Tape Grommet (Bottom)			
12a.	5009075xxx	Lift Cord – 1.4 mm (used on both Micro Lightlines and Decor)			
12b.	5008083000	Lift Cord Grommet			
12c.	7003093000	Decorative Tassel			
12d.	7003094000	Conical Tassel Washer			
12e.	5009077xxx	0.9 mm Tilt Cord (for Micro Lightlines)			
13a.	7007736xxx	Cylindrical Cord Stop, 500 pack			
	7007636xxx	Cylindrical Cord Stop, 100 pack			
13b.	5008087000	Cord Stop Washer			
14.	N/A	Bottom Rail (nested with headrail)			
15.	5009033xxx	¾" Bottom Rail End Cap			
16.	5009035xxx	Tape Button Aluminum			

xxx = 3-digit color code