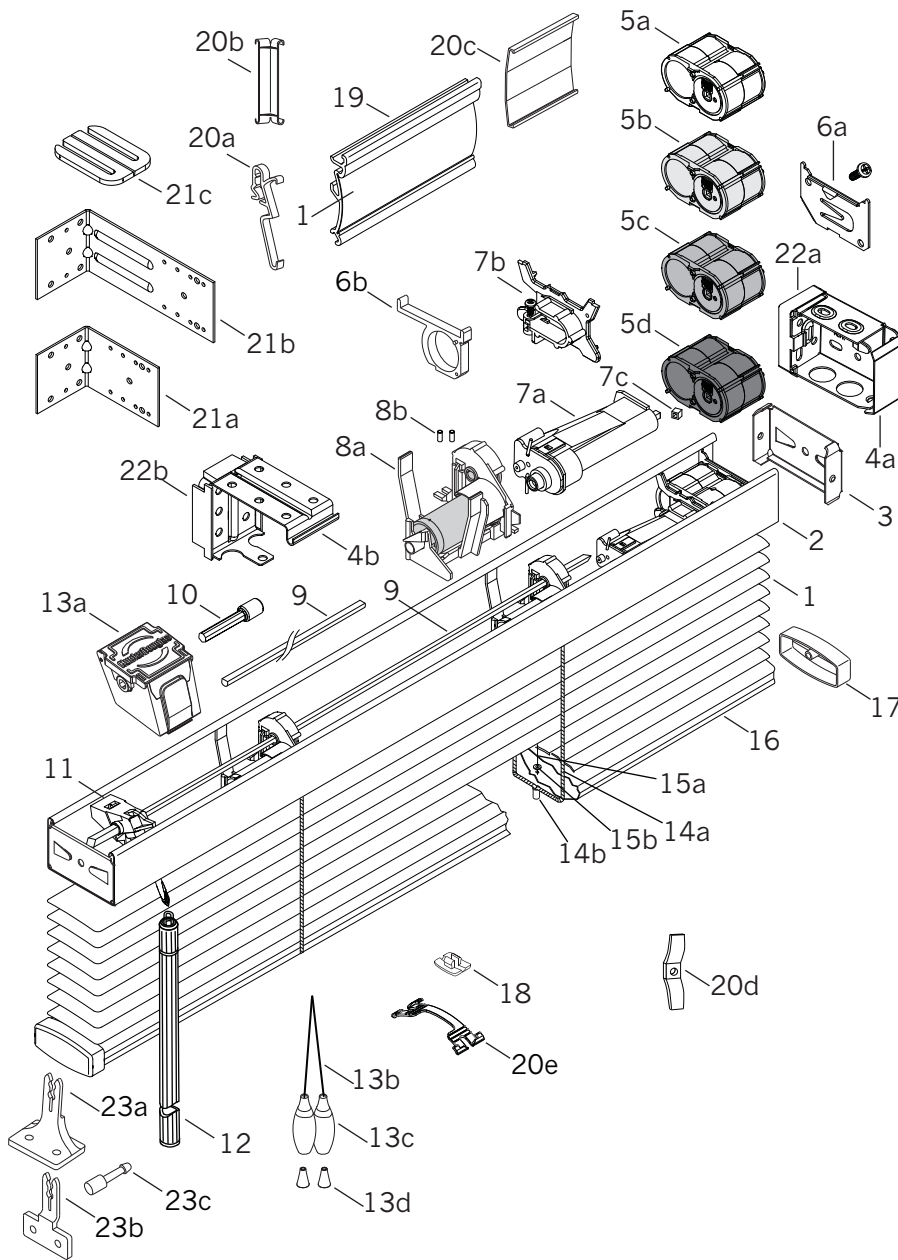


# 2" Macro with LiteRise®



## Standard Parts

1. Slat
2. Headrail
3. Headrail End Lock
- 4a. Installation Bracket
- 4b. Intermediate Support Bracket
- 5a. Motor (Natural)
- 5b. Motor (Beige)
- 5c. Motor (Gray)
- 5d. Motor (Black)
- 6a. Motor Clamp
- 6b. Motor Spacer
- 7a. Transmission
- 7b. Transmission Adaptor
- 7c. Square Drive Adaptor
- 8a. Lift & Tilt Roll Assembly
- 8b. X-Tape Locator Grommet
9. Tiltrod
10. D-Rod Tilter Adaptor
11. Wand Tilter
12. Wand
- 13a. Cord Tilter
- 13b. Tilt Cord
- 13c. Tassels
- 13d. Conical Tassel Washer
- 14a. Cable Tape Ladder
- 14b. Cable Tape Grommet (Bottom)
- 15a. Lift Cord
- 15b. Lift Cord Grommet
16. Bottom Rail
17. Bottom Rail End Cap
18. Tape Button
19. Valance
- 20a. Valance Clip
- 20b. Valance Corner Key
- 20c. Valance Splice Clip
- 20d. Child Safety Kit (Cord Cleat)
- 20e. Tape Spacer

## Optional Parts

- 21a. Short Extension Bracket
- 21b. Long Extension Bracket
- 21c. Bracket Shim
- 22a. Spacer Block (Bracket)
- 22b. Spacer Block (Support Bracket)
- 23a. Hold-Down Bracket (Sill)
- 23b. Hold-Down Bracket (Jamb)
- 23c. Hold-Down Pin

## 2" Macro with LiteRise®

<b>No.</b>	<b>PCN</b>	<b>Description</b>	<b>No.</b>	<b>PCN</b>	<b>Description</b>
1.	5001200xxxH	0.008" x 50 mm Slat	17.	5003093xxx	2" Bottom Rail End Cap
2.	5003006xxx	2" Low Profile Headrail	18.	5009035xxx	Tape Button Aluminum
3.	5003655000	2" Low Profile Headrail End Lock	19.	7005495xxx	2" Decorative Valance – 198 ft.
4a.	5003046xxx	2" Low Profile Installation Bracket	20a.	7007845000	Universal Valance Clip
4b.	5003158000	2" Low Profile Intermediate Support Bracket	20b.	7007444000	Universal Valance Corner Key
5a.	7300117000	LiteRise® C2 Motor (Natural)	20c.	7007541000	Valance Splice Clip
5b.	7300118000	LiteRise C2 Motor (Beige)	20d.	2980246000	Child Safety Kit (Cord Cleat)
5c.	7300119000	LiteRise C2 Motor (Gray)	20e.	7007082000	2" Macro Tape Spacer
5d.	7300120000	LiteRise C2 Motor (Black)	<b>Optional Parts:</b>		
6a.	7300139000	2" LiteRise Motor Clamp	21a.	5003167000	Extension Bracket (Short)
6b.	7300180000	2" LiteRise Motor Spacer (used on blinds with 2 or more motors)	21b.	5003168000	Extension Bracket (Long)
7a.	7300156000	LiteRise Short 3:1 Transmission (Red)	21c.	7007069000	1/8" Bracket Shim
7b.	7300149000	Macro LiteRise Transmission Adaptor	22a.	5003142000	Spacer Block (2" LP Bracket)
7c.	7300131000	LiteRise Square Drive Adaptor	22b.	5003156000	Spacer Block (2" LP Support Bracket)
8a.	7300155000	LiteRise 2" Lift & Tilt Roll Assembly (with Hole)	23a.	7007075000	2" Hold-Down Bracket (Sill)
8b.	5008047000	X-Tape Locator Grommet (Top)	23b.	7007076000	2" Hold-Down Bracket (Jamb)
9.	5908027000	Tiltrod	23c.	5007307000	Hold-Down Pin
10.	5003872000	2" Low Profile D-Rod Tilter Adaptor	xxx = 3-digit color code		
11.	5003768000	2" Low Profile Wand Tilter			
12.	5008508000	12" Wand Assembly			
	5008501000	20" Wand Assembly			
	5008502000	30" Wand Assembly			
	5008503000	40" Wand Assembly			
	5008504000	50" Wand Assembly			
	5008505000	60" Wand Assembly			
	5008570000	70" Wand Assembly			
	5008578000	78" Wand Assembly			
	5008506000	90" Wand Assembly			
	5008507000	120" Wand Assembly			
13a.	5003874000	2" Low Profile Cord Tilter EPIC™			
13b.	5009075xxx	1.4 mm Cord for Tilt Cord			
13c.	7003093000	Decorative Tassel			
13d.	7003094000	Conical Tassel Washer			
14a.	5003076xxx	42 mm Cable Tape Ladder			
14b.	5003308000	2" Cable Tape Grommet (Bottom)			
15a.	7300131xxx	0.9 mm LiteRise Lift Cord			
15b.	5008083000	Lift Cord Grommet			
16.	5003023xxx	2" Bottom Rail			