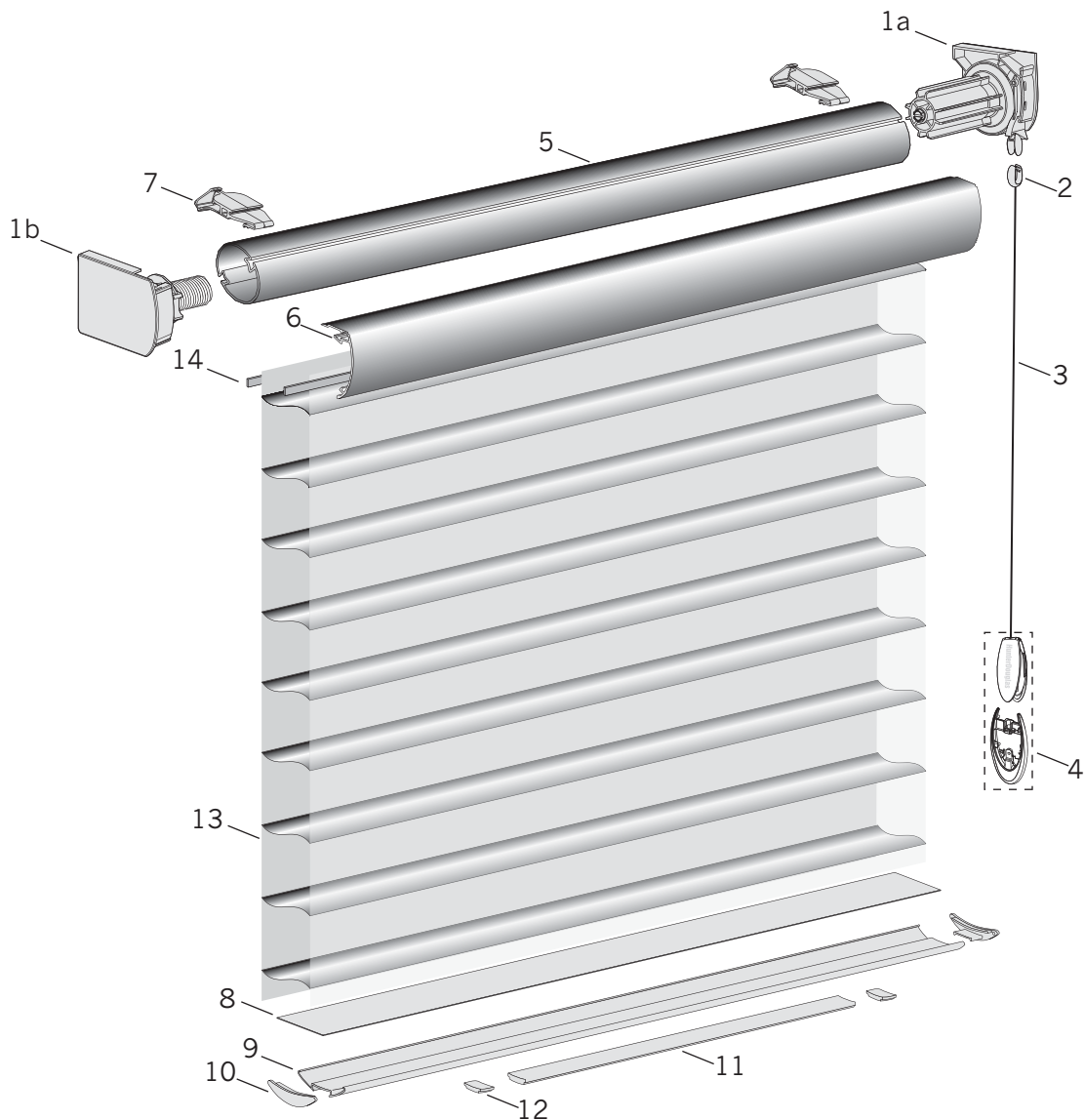


Standard And Oversized



Standard Parts

- | | | |
|-----------------------------------|----------------------------|--------------------------|
| 1a. Clutch with End Cap | 4b. Tassel Base | 10. Bottom Rail End Caps |
| 1b. Limit Assemblies with End Cap | 5. Universal Rotator Rail | 11. Balance Weight |
| 2. Lower Cord Connector | 6. Fabric Covered Headrail | 12. Weight Clips |
| 3. Drop Cord | 7. Top Limit | 13. Fabric |
| 4a. Tassel Cover | 8. Bottom Slat | 14. Polystrip |
| | 9. Bottom Rail | |

Standard And Oversized

No.	PCN	Description
1.		Clutch Assembly
	4154792xxx	RH (Standard)
	4154793xxx	LH (Standard)
	4174775xxx	RH (Oversized) (The Matisse Collection™ & Sunscreen Privacy Shadings Only)
	4174776xxx	LH (Oversized) (The Matisse Collection & Sunscreen Privacy Shadings Only)
	4154738000	Cord Connector, Upper (comes attached to the above four clutch assemblies)
1a.	N/A	Clutch with End Cap
1b.	N/A	Limit Assemblies with End Cap
2.	4154739000	Lower Cord Connector
3.	2930320xxx	Drop Cord 2.2 mm, D-20
4.		Tassel
4a.	2931556xxx	Designer Tassel Cover
4b.	2931555000	Designer Tassel Base
5.	4150260xxx	Universal Rotator Rail (785 for all fabrics except A20, A27, and N27)
6.		Headrail, Fabric Covered, Standard on Silhouette, Optional on Nantucket (Choose Fabric Color)
	4158256xxx	Standard
	4170314xxx	Oversized (The Matisse Collection & Sunscreen Privacy Shadings Only)
7.	4150057885	Top Limit
8.	N/A	Bottom Slat
9.	4150128xxx	Bottom Rail
10.	4150084xxx	Bottom Rail End Caps
11.	4150082xxx	Balance Weight
12.	4150083xxx	Weight Clips
13.	N/A	Fabric
14.	4150288785	Polystrip With Tape

xxx = 3-digit color code