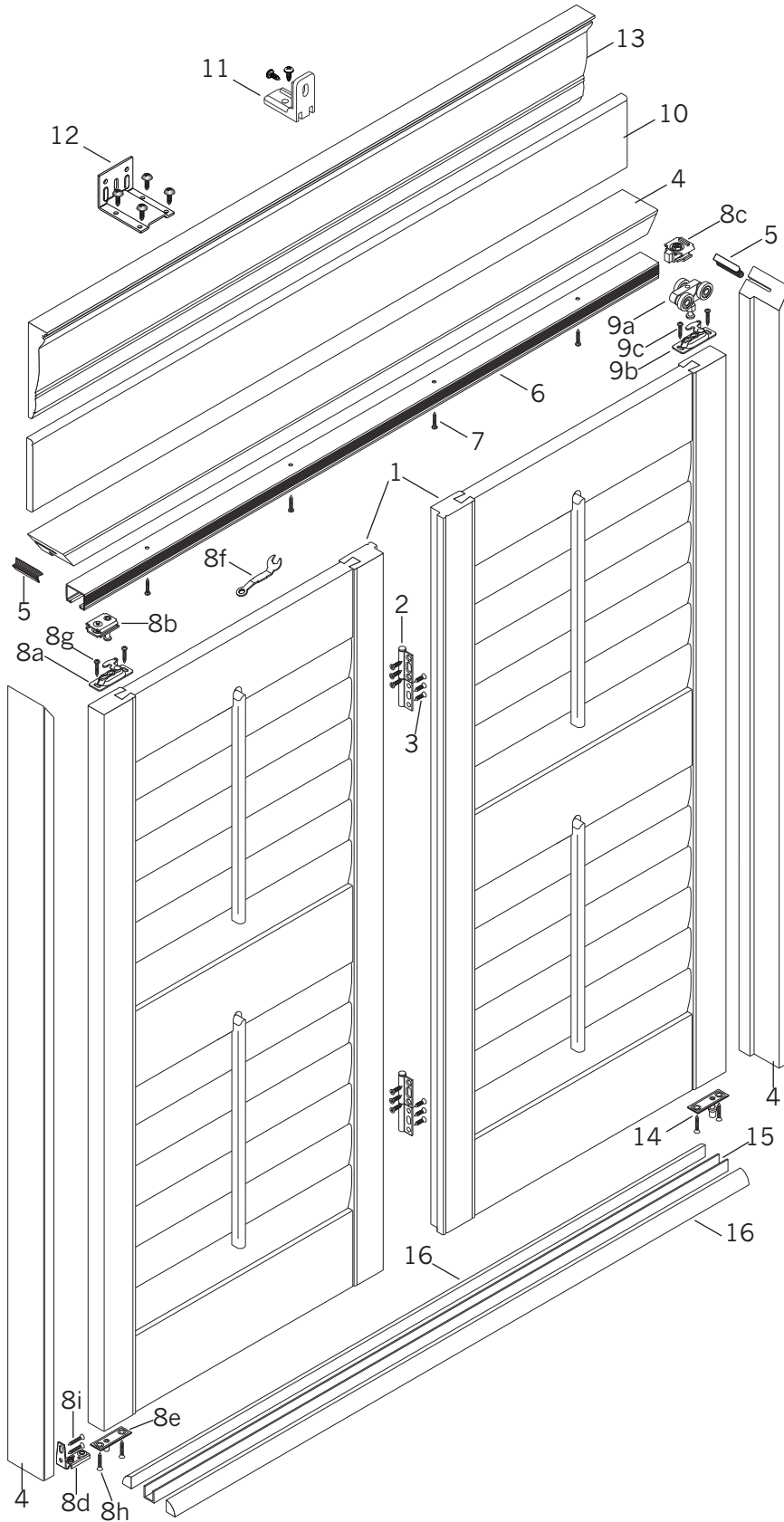


Bi-Fold Track System



Standard Parts

1. Shutter Panels
2. Inter-Panel Hinge
3. Hinge Screw $\frac{5}{8}$ "
4. Bi-Fold Frame
5. Hoffman Key
6. Track
7. Pan Head Wood Screw $\frac{3}{4}$ "
8. Pivot Set (8a – 8i)
- 8a. Hanger Plate
- 8b. Upper Bi-Fold Track Pivot
- 8c. Bi-fold Track Snubber
- 8d. Lower Bi-Fold Track Pivot
- 8e. Panel Pivot
- 8f. Wrench
- 8g. Pan Head Wood Screw $1\frac{1}{4}$ "
- 8h. Flat Head Wood Screw 1"
- 8i. Flat Head Wood Screw $\frac{3}{4}$ "
9. Hanger Set (9a – 9c)
- 9a. Hanger
- 9b. Hanger Plate
- 9c. Pan Head Wood Screw $\frac{3}{4}$ "
10. Standard Valance
11. Valance Bracket Kit
12. Track Frame Support Bracket (for systems over 96")

Optional Parts

13. Decorative Valance
14. Inverted Guide with 1" Screws
15. Bottom Track Guide
16. Bottom Track Quarter Round
17. Rear Tilt Bar (not shown)

Bi-Fold Track System

No.	PCN	Description	Optional Parts	
1.	N/A	Shutter Panels	13.	MSV03xxx Decorative Valance
2.	Inter-Panel Hinge		14.	WHT06000 Inverted Guide with #8 x 1" Flat Head Wood Screws
	WHH03xxx	Left	15.	WHT04000 Bottom Guide Track
	WHH04xxx	Right	16.	MSF16xxx Bottom Track Quarter Round
3.	WHS04xxx	#6 x 5/8" Hinge Screw	17.	Rear Tilt Bar (Not Shown)
4.	MSF13xxx	Bi-Fold Frame		WHR01xxx 2.5"
5.	Hoffman Key			WHR02xxx 3.5"
	WHK02001	White W3 1.81"		WHR03xxx 4.5"
	WHK02002	Brown W3 1.81"	Component Colors	
	WHK02003	Dark Brown W3 1.81"	608	Eggshell
6.	WHT03000	Track Slider	609	Linen
7.	WHS04000	#8 x 3/4" Pan Head Wood Screw	650	Pure White
8.	WHP01000	Pivot Set	651	Soft White
8a.	N/A	Hanger Plate	652	Warm Cream
8b.	N/A	Upper Bi-Fold Track Pivot	653	Cameo White
8c.	N/A	Bi-fold Track Snubber	659	Golden Oak
8d.	N/A	Lower Bi-Fold Track Pivot	670	Warm Cherry
8e.	N/A	Panel Pivot	671	Amaretto
8f.	N/A	Wrench	672	Bahama Brown
8g.	N/A	#8 x 1 1/4" Pan Head Wood Screw	Hinge Colors	
8h.	N/A	#8 x 1" Flat Head Wood Screw	006	Brass Finish
8i.	N/A	#8 x 3/4" Flat Head Wood Screw	007	Antique Brass Finish
9.	WHT01000	Hanger Set	008	Brushed Nickel Finish
9a.	N/A	Hanger	009	White
9b.	N/A	Hanger Plate	010	Off-White
9c.	N/A	#8 x 3/4" Pan Head Wood Screw	011	Stainless Steel
10.	MSV02xxx	Standard Valance	012	Butter Cup
11.	BF/BP Valance Bracket Kit		022	Venetian Bronze
	KIT4528	White (Bracket and 2 Screws)	023	Satin Black
	KIT4529	Brown (Bracket and 2 Screws)	Rear Tilt Bar Colors	
12.	BF/BP Support Bracket		009	Bright White
	WHT08136	White	010	Off White
	WHT08012	Brown	014	Buttercup
	KIT4526	#8 x 3/4" Pan Head Screws (4 Pk)	012	Warm Cherry
	KIT4527	#8 x 2" Pan Head Screws (3 Pk)	013	Golden Oak
			019	Dark Chocolate

xxx = 3-digit color code