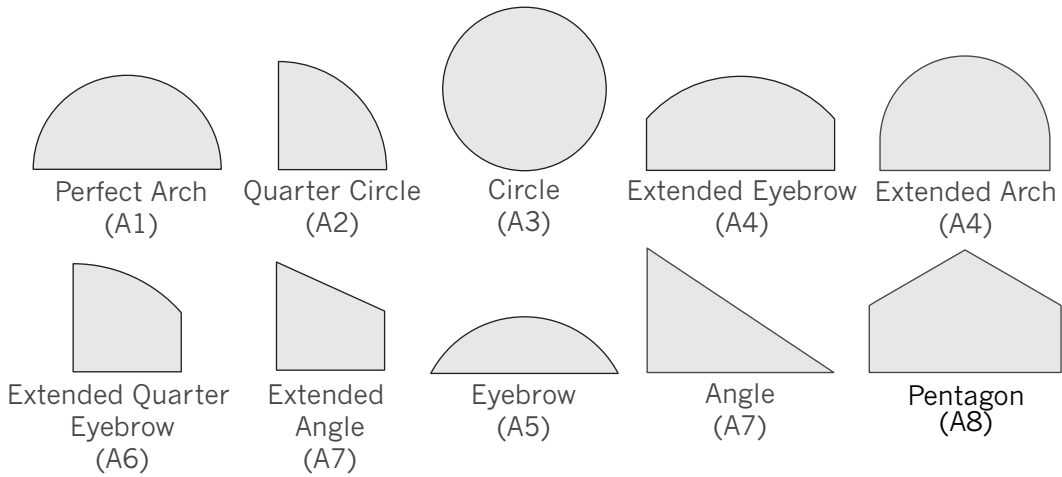
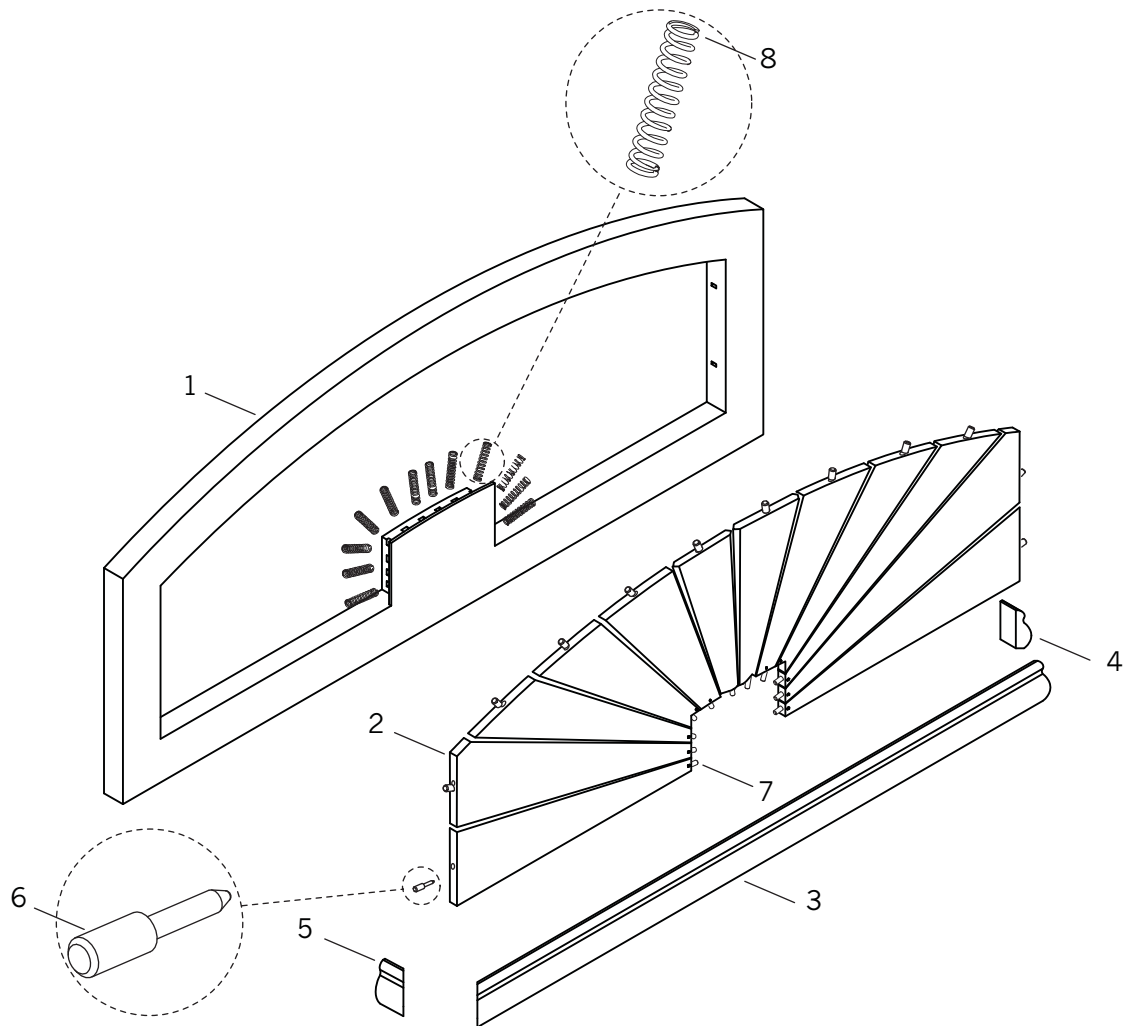


Unframed Specialty Shapes



Standard Parts

- | | | |
|-----------|---------------------|---------------------|
| 1. Frame | 4. Right Return | 7. Lower Louver Pin |
| 2. Louver | 5. Left Return | 8. Spring |
| 3. Cap | 6. Upper Louver Pin | |

Unframed Specialty Shapes

No.	PCN	Description
1.	N/A	Frame
2.	N/A	Louver
3.	N/A	Cap
4.	N/A	Right Return
5.	N/A	Left Return
6.	WHP04001	Upper Louver Pin
7.	WHP05001	Lower Louver Pin
8.	WHS01008	Spring

Available Colors

608	Eggshell
609	Linen
650	Pure White
651	Soft White
652	Warm Cream
653	Cameo White
659	Golden Oak
670	Warm Cherry
671	Amaretto
672	Bahama Brown