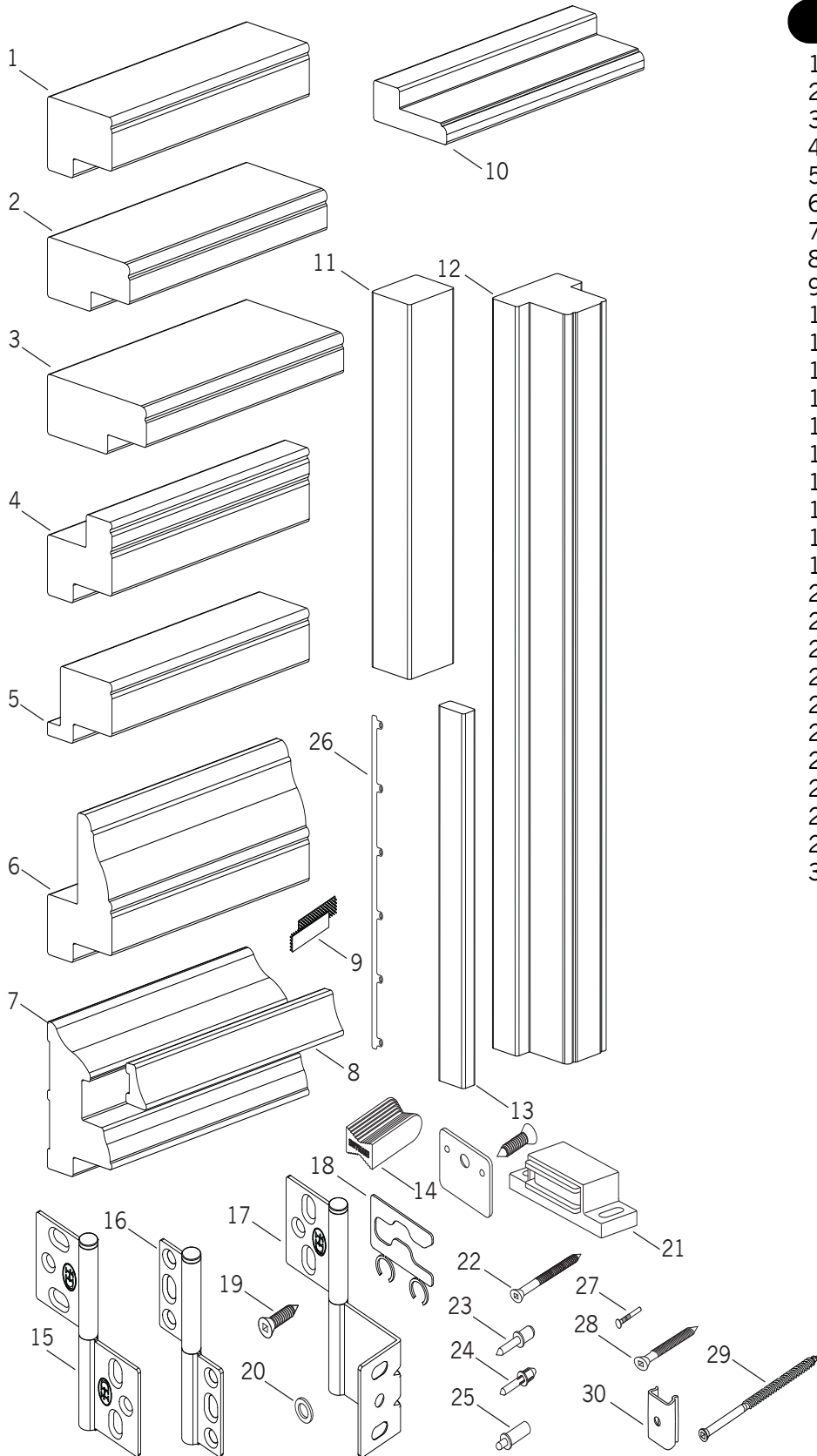


Standard Frames and Hardware



Standard Parts

1. L-Frame
2. Trim L-Frame
3. Extended Trim L-Frame
4. Z-Frame
5. Tilt-in Z-Frame
6. Colonial Z-Frame
7. Deluxe Casing Frame
8. Deluxe Casing Frame Insert
9. C10 Insert Fastener
10. Sill Frame
11. Hang Strip
12. T-Post
13. Light Stop
14. Hoffman Key
15. Hanging Hinge
16. Inter Panel Hinge
17. Wrap Around Hinge
18. Hinge Shim
19. Hinge Screw 5/8"
20. Shim Washer for Hinges
21. Magnet Set
22. Installation Screw 2 1/4"
23. Louver Pin
24. Louver Tension Pin
25. Replacement Louver Pin
26. Rear Tilt Bar
27. Rear Tilt Bar Pin
28. 1 5/8" Trim Head Screw
29. 3" Trim Head Screw
30. Bypass Inter-Panel Clip

Standard Frames and Hardware

No.	PCN	Description	No.	PCN	Description
1.	MSF04xxx	L11 L-Frame	23.	WHP01001	Louver Pin
2.	MSF14xxx	L12 Trim L-Frame	24.	WHP02003	Louver Tension Pin
3.	MSF19xxx	L13 Extended Trim L-Frame	25.	WHP03001	Replacement Louver Pin Set
4.	MSF15xxx	Z13 Z-Frame	26.	Rear Tilt Bar	
5.	MSF05xxx	Z11 Tilt-in Z-Frame		WHR01xxx	2.5"
6.	MSF08xxx	Z12 Colonial Z-Frame		WHR02xxx	3.5"
7.	MSF10xxx	C10 Deluxe Casing Frame		WHR03xxx	4.5"
8.	MSF11xxx	C10 Deluxe Casing Frame Insert	27.	WHR03011	Rear Tilt Bar Pin
9.	MHS01000	C10 Insert Fastener	28.	WHS03006	1 5/8" Trim Head Screw
10.	MSF09xxx	Sill Frame	29.	WHS05006	3" Trim Head Screw
11.	MSF03xxx	Hang Strip	30.	WHC01000	Bypass Inter-Panel Clip
12.	MSF07xxx	T-Post	Component Colors		
13.	MSF06xxx	Light Stop	608		Eggshell
14.	Hoffman Key		609		Linen
	WHK01001	White W3 1.5"	650		Pure White
	WHK01002	Brown W3 1.5"	651		Soft White
	WHK01003	Dark Brown W3 1.5"	652		Warm Cream
	WHK02001	White W3 1.81"	653		Cameo White
	WHK02002	Brown W3 1.81"	659		Golden Oak
	WHK02003	Dark Brown W3 1.81"	670		Warm Cherry
	WHK04001	White W3 0.75"	671		Amaretto
	WHK04002	Brown W3 0.75"	672		Bahama Brown
	WHK04003	Dark Brown W3 0.75"	Rear Tilt Bar Colors		
	WHK05001	White W3 0.5"	009		Bright White
	WHK05002	Brown W3 0.5"	010		Off White
	WHK05003	Dark Brown W3 0.5"	014		Buttercup
	WHK06001	White W3 1.0"	012		Warm Cherry
	WHK06002	Brown W3 1.0"	013		Golden Oak
	WHK06003	Dark Brown W3 1.0"	019		Dark Chocolate
15.	Hanging Hinge		Hinge and Hinge Screw Color WHS04xxx		
	WHH01xxx	Left	Hinge	Screw (#6 x 5/8")	
	WHH02xxx	Right	Color	Color	
16.	Inter Panel Hinge		006	001	Brass
	WHH03xxx	Left	007	002	Antique Brass
	WHH04xxx	Right	008	003	Nickel
17.	Wrap Around Hinge		009	004	White
	WHH05xxx	Left	010	005	Off White
	WHH06xxx	Right	011	011	Stainless Steel
18.	WHP10002	Hinge Shim	012	012	Butter Cup
19.	WHS04xxx	#6 x 5/8" Hinge Screw	022	022	Venetian Bronze
20.	WHW01001	Shim Washer for Hinges	023	023	Satin Black
21.	Magnet Set		xxx = 3-digit color code		
	WHM01001	White			
	WHM01002	Brown			
22.	WHS04006	2 1/4" Trim Head Installation Screw			