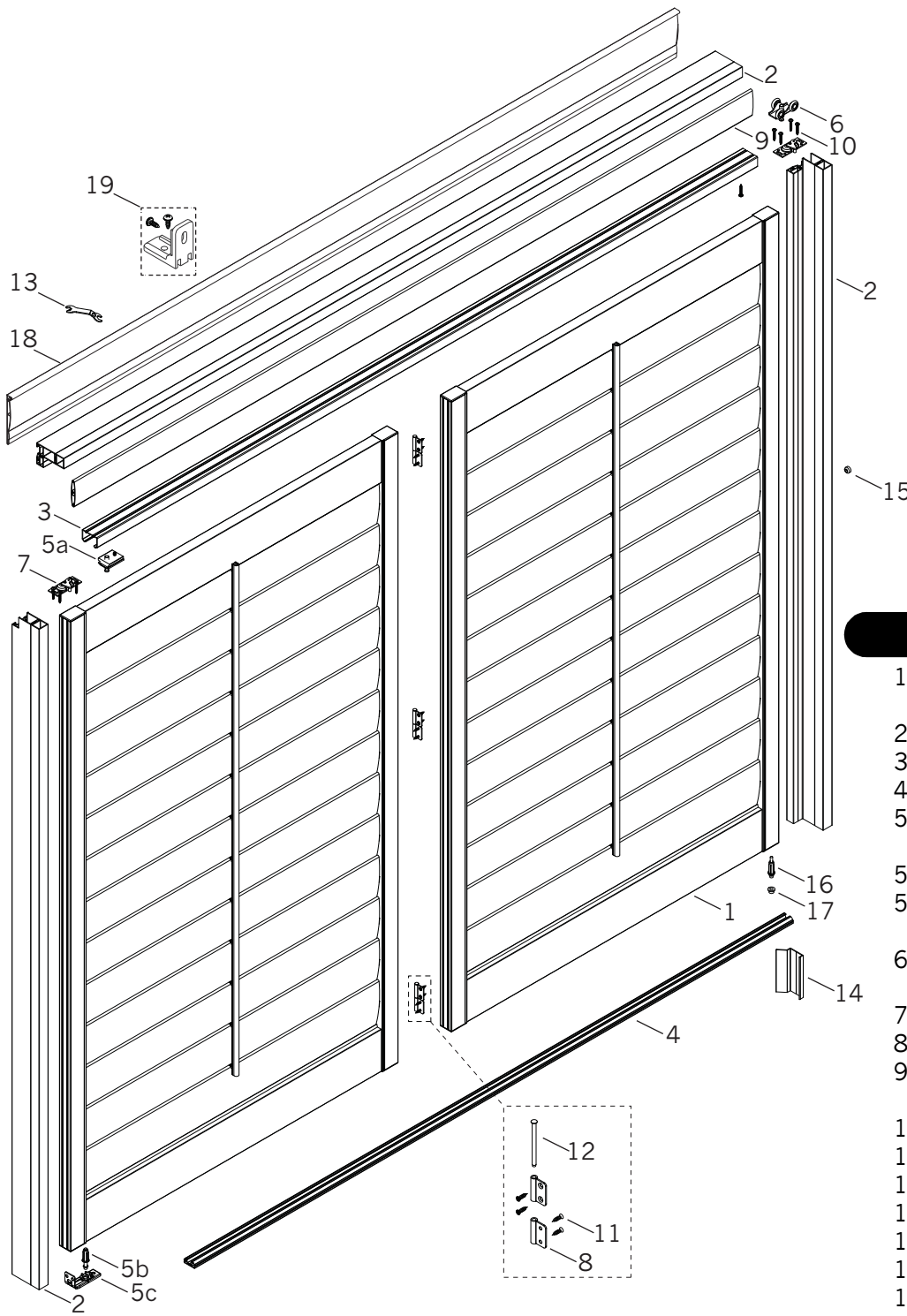


Bi-Fold Track System



Standard Parts

1. Standard Panel Assembly
2. Bi-fold Frame
3. Bi-fold/Bypass Track
4. Bi-fold Bottom Track
- 5a. Track Bracket, Screw, Hanger Bolt
- 5b. Bi-fold Bottom Pivot Pin
- 5c. Bi-fold Bottom Pivot For Bottom Track
6. Wheel Assembly With Hanger Bolt
7. Door Bracket
8. Hinge Leaf
9. Louver As Standard Valance
10. Pan Head Screw
11. Hinge Screw
12. Hinge Pin
13. Wrench
14. Bi-fold Frame Channel
15. Stop Bumper
16. Bi-fold Bottom Track Guide
17. Pivot Pin Hat

Optional Parts

18. Deluxe Valance
19. Valance Bracket Kit

Bi-Fold Track System

No.	PCN	Description
1.	N/A	Standard Panel Assembly
2.	VS465-XXX	Bi-fold Frame
3.	52605BB	Bi-fold/Bypass Track
4.	V1841-XXX	Bi-fold Bottom Track
5.	PA07BF	Pivot Assembly
5a.	N/A	Track Bracket, Screw, Hanger Bolt
5b.	N/A	Bi-fold Bottom Pivot Pin
5c.	N/A	Bi-fold Bottom Pivot For Bottom Track
	JMB100	Bi-fold Bottom Pivot Bracket is used with no bottom track.
6.	WA02BB	Wheel Assembly With Hanger Bolt
7.	DB01BB	Door Bracket
8.	S602	Hinge Leaf
9.	Valances	
	VS797-XXX	2.5" Louver As Standard Valance
	VS598-XXX	Deluxe Valance
10.	R704	#8 X 1" Pan Head Screw
11.	Hinge Screw	
	R706P-XXX	Painted
	R706	Brass
	R706SS	Stainless Steel
	R706AB	Antique Brass
	R703TS	True Stainless Steel
12.	Hinge Pin	
	S601P-XXX	Painted
	S601	Brass
	S601SS	Stainless Steel
	S601BN	Brushed Nickel
	S601AB	Antique Brass
13.	99360BB	Wrench
14.	D081-XXX	Bi-fold Frame channel
15.	452BF	Stop Bumper
16.	SH-1000	Bi-fold Bottom Track Guide
17.	NB100	Pivot Pin Hat
18.	VS598-XXX	Deluxe Valance
19.	BF/BP Valance Bracket Kit	
	KIT4528	White (Bracket and 2 Screws)
	KIT4529	Brown (Bracket and 2 Screws)

Component and Hinge Colors

051	White Silk
136	Bright White
137	White
138	Linen

XXX = 3-Digit Color Code