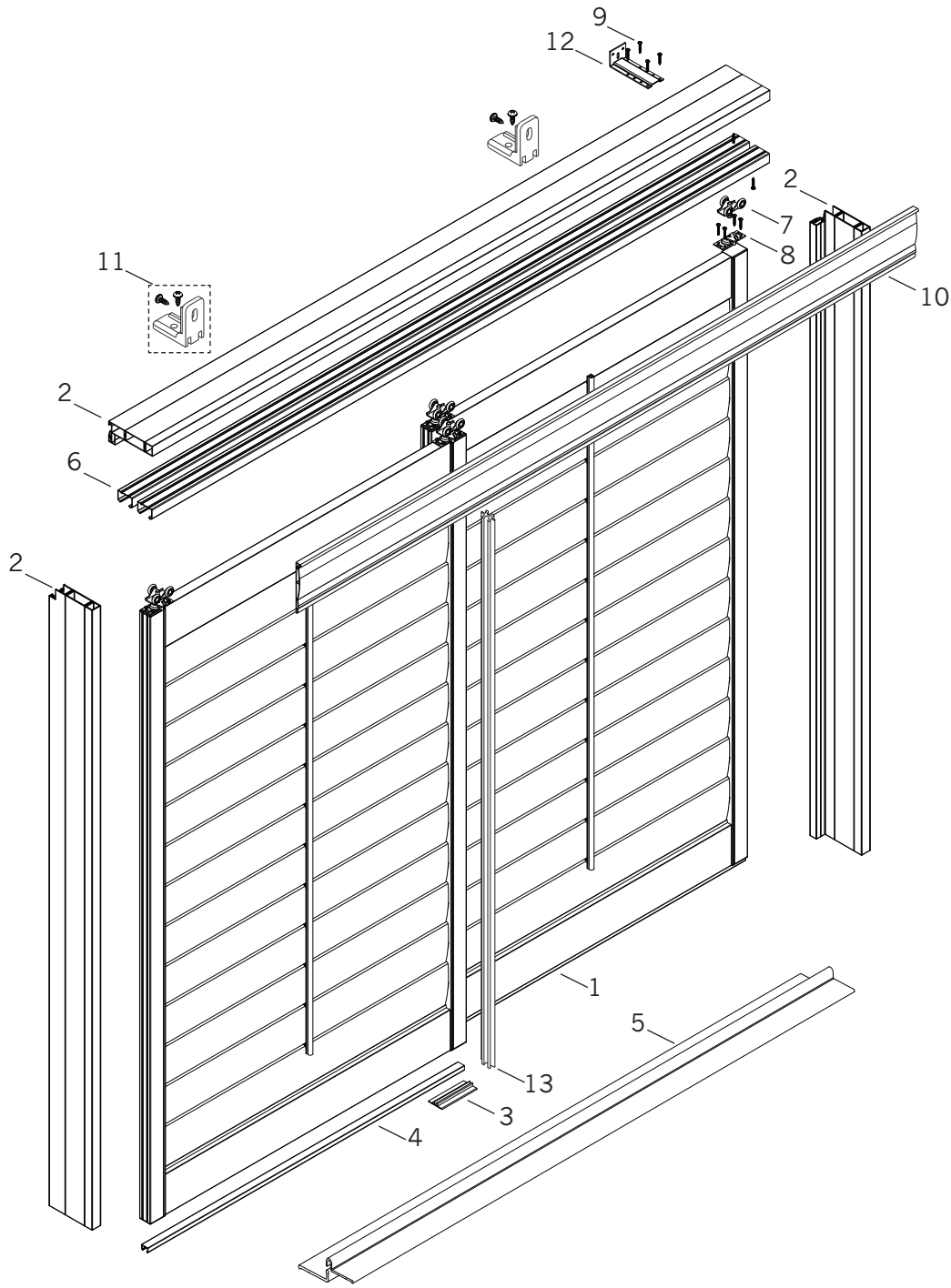


# Bypass Track System



## Standard Parts

- |                                 |                                    |                            |
|---------------------------------|------------------------------------|----------------------------|
| 1. Standard Panel Assembly      | 5. Optional Bypass Panel U/L Guide | 9. Pan Head Screw          |
| 2. Bypass Frame                 | 6. Bi-Fold/Bypass Track            | 10. Deluxe Valance         |
| 3. Optional Bypass Floor Guide  | 7. Wheel Assembly With Post        | 11. Valance Bracket Kit    |
| 4. Optional Bypass Bottom Track | 8. Door Bracket                    | 12. Small Bypass Bracket   |
|                                 |                                    | 13. Optional Stile Coupler |

# Bypass Track System

<b>No.</b>	<b>PCN</b>	<b>Description</b>
1.	N/A	Standard Panel Assembly
2.	VS542-XXX	Bypass Frame
3.	D1650-XXX	Optional Bypass Floor Guide
4.	D1649-XXX	Optional Bypass Bottom Track
5.	Optional Bypass	Panel U/L Guide
	D224	Front Bypass Guide
	D225	Back Bypass Guide
6.	52605BB	Bi-fold/Bypass Track
7.	WA02BB	Wheel Assembly With Post
8.	DB01BB	Door Bracket
9.	R704	#8 X 1" Pan Head Screw
10.	VS598-XXX	Deluxe Valance
11.	BF/BP Valance	Bracket Kit
	KIT4528	White (Bracket and 2 Screws)
	KIT4529	Brown (Bracket and 2 Screws)
12.	Bypass Bracket	
	70-L450-XXX	Small Bypass Bracket
	70-L725-XXX	Large Bypass Bracket
	70-I425-XXX	Bypass Bracket ¾" Extension
13.	D142	Stile Coupler

## **Component and Hinge Colors**

051	White Silk
136	Bright White
137	White
138	Linen

XXX = 3-Digit Color Code