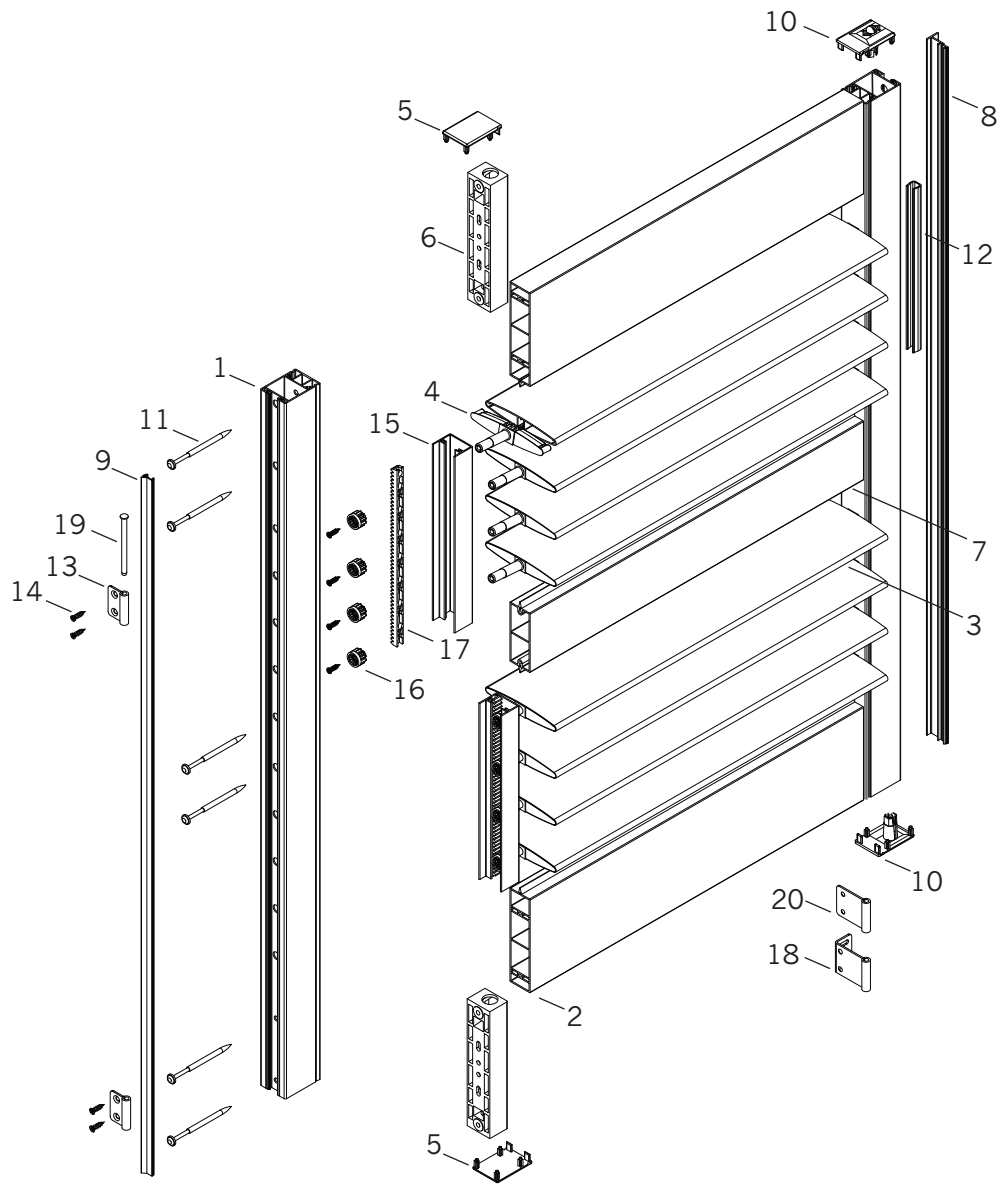


Shutter Panel - Lantana™



Standard Parts

- | | | |
|------------------------|------------------------|----------------------------------|
| 1. Stile | 8. Astragal | 15. U-Channel |
| 2. Rail | 9. Flex Light Block | 16. Gear |
| 3. Louver | 10. Inverted Stile Cap | 17. Gear Rack |
| 4. Louver End Cap Gear | 11. Panel Screw | 18. Optional Wrap Around Hinge |
| 5. Stile Cap | 12. Tension Rod | 19. Hinge Pin |
| 6. Stile Reinforcement | 13. Hinge Leaf | 20. Optional Extended Leaf Hinge |
| 7. Divider Rail | 14. Hinge Screw | |

Shutter Panel - Lantana™

No.	PCN	Description	No.	PCN	Description
1.	VS375-XXX	Stile	19.	Hinge Pin	
2.	Rail		S601P-XXX	Painted	
	VS490-XXX	2"	S601	Brass	
	VS491-XXX	4"	S601SS	Stainless Steel	
3.	Louver		S601BN	Brushed Nickel	
	VS796-XXX	3½"	S601AB	Antique Brass	
	VS797-XXX	2½"	20.	Optional Extended Leaf Hinge, 1.25"	
	VS468-XXX	4½"	S603P-XXX	Painted	
4.	Louver End Cap Gear		S603	Brass	
	M415-XXX	2½"	S603SS	Stainless Steel	
	M421-XXX	3½"	S603BN	Brushed Nickel	
	M435-XXX	4½"	S603AB	Antique Brass	
5.	M501-XXX	Stile Cap	Component and Hinge Colors		
6.	M6800	Stile Reinforcement	051	White Silk	
7.	VS492-XXX	Divider Rail	136	Bright White	
8.	B486-XXX	Astragal	137	White	
9.	B485F-XXX	Flex Light Block	138	Linen	
10.	Stile Cap		XXX = 3-Digit Color Code		
	M590-XXX	Stile Cap (Used with No Frame)			
	M595-XXX	Inverted Stile Cap (Used with Frames)			
	M501A-XXX	Adjustable Stile Cap			
11.	R707	Panel Screw - #8 X 3"			
12.	D523	Tension Rod			
13.	Hinge Leaf				
	S602PXXX	Painted			
	S602	Brass			
	S602SS	Stainless Steel			
	S602BN	Brushed Nickel			
	S602AB	Antique Brass			
14.	Hinge Screw				
	R706-XXX	Painted			
	R706	Brass			
	R706SS	Stainless Steel			
	R706AB	Antique Brass			
	R703TS	True Stainless Steel			
15.	D550	U-Channel			
16.	M548	Gear			
17.	M549	Gear Rack			
18.	Optional Wrap Around Hinge				
	S604P-XXX	Painted			
	S604	Brass			
	S604SS	Stainless Steel			
	S604BN	Brushed Nickel			
	S604AB	Antique Brass			