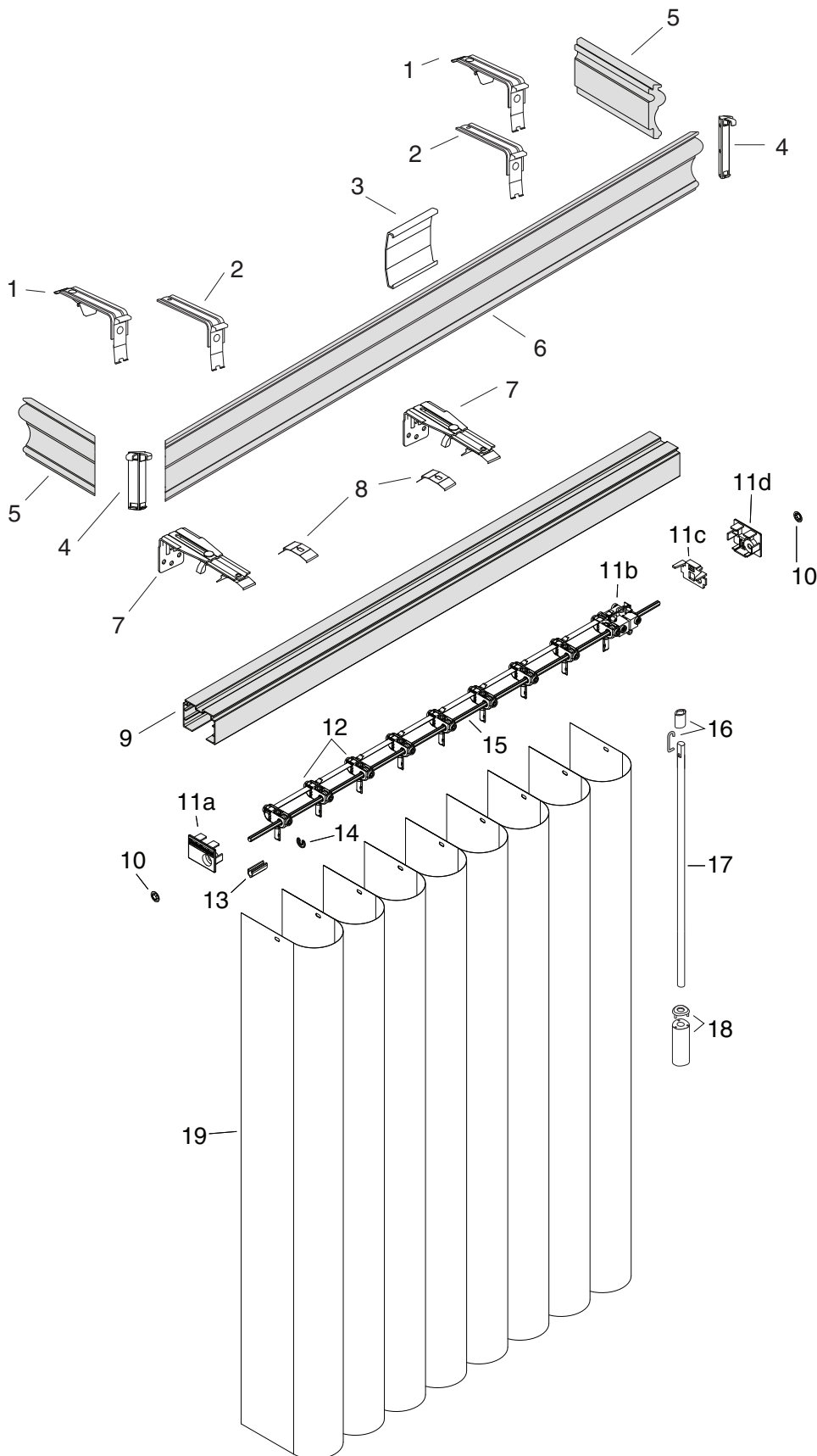


Privacy Sheers w/PermAlign® - Wand Control



Standard Parts

1. Valance Bracket Kit, OB
2. Valance Bracket Kit, IB
3. Valance Splice Bracket
4. Valance Corner Clip
5. Faux Wood Valance (Return)
6. Faux Wood Valance (Face)
7. Mounting Bracket Kit, OB
8. Mounting Bracket/Clip Kit, IB
9. Channel (Headrail)
10. Star Fastener
11. Wand End Cap Set w/ Rod Support
- 11a. Wand Control Set
- 11b. Tilter Assembly
- 11c. Tilt Rod Support
- 11d. Idle End Cap
- 11e. Tilt Rod Support Stop Screw (not shown)
12. Carrier Assembly
13. 1" Omega Spacer
14. Stop "C" Clip
15. Tilt Rod
16. Wand Hook & Hook Cover
17. Wand
18. Wand Handle & Cover
19. Fabric

Privacy Sheers w/PermAlign® - Wand Control

No.	PCN	Description
1.	4253002339	Valance Bracket Kit, Outside Mount (OB)
2.	4252001339	Valance Bracket Kit, Inside Mount (IB)
3.	7007541000	Valance Splice Bracket
4.	7007444000	Valance Corner Clip
5.	7005396xxx	Grandover Faux Wood Valance (Return)
6.	7005396xxx	Grandover Faux Wood Valance (Face)
7.	4253003338	Mounting Bracket Kit, Outside Mount
8.	4253000338	Mounting Bracket, Inside Mount
9.	97869	PermAlign Ivory Channel (Headrail) 16'
10.	7704842	PermAlign/PermaTrack Star Fastener
11.	1WCU0501	PermAlign Wand End Cap Set With Rod Support (Ivory)
11a.	N/A	Wand Control Set
11b.	N/A	Tilter Assembly
11c.	N/A	Tilt Rod Support
11d.	N/A	Idle End Cap
11e.	N/A	Tilt Rod Support Stop Screw (Not Shown)
12.	HS0503A	Carrier Assembly, 3.5"
13.	PC0453	1" Omega Spacer
14.	7704841	Stop "C" Clip
15.	98860	PermAlign PermaTrack Tilt Rod 16'
16.	4250062xxx	Wand Hook & Hook Cover
17.	4250090000	Wand 21" Standard
	4250091000	Wand 28" Standard
	4250092000	Wand 38" Standard
	4250094000	Wand 58" Standard
18.	4250107xxx	Wand Handle & Cover
19.	N/A	Fabric

Additional Hardware:

(For pictures & specifics, see Park Lane™ Privacy Sheers Additional Hardware)

4252004339 Valance Splice Bracket Kit

xxx = 3-digit color code