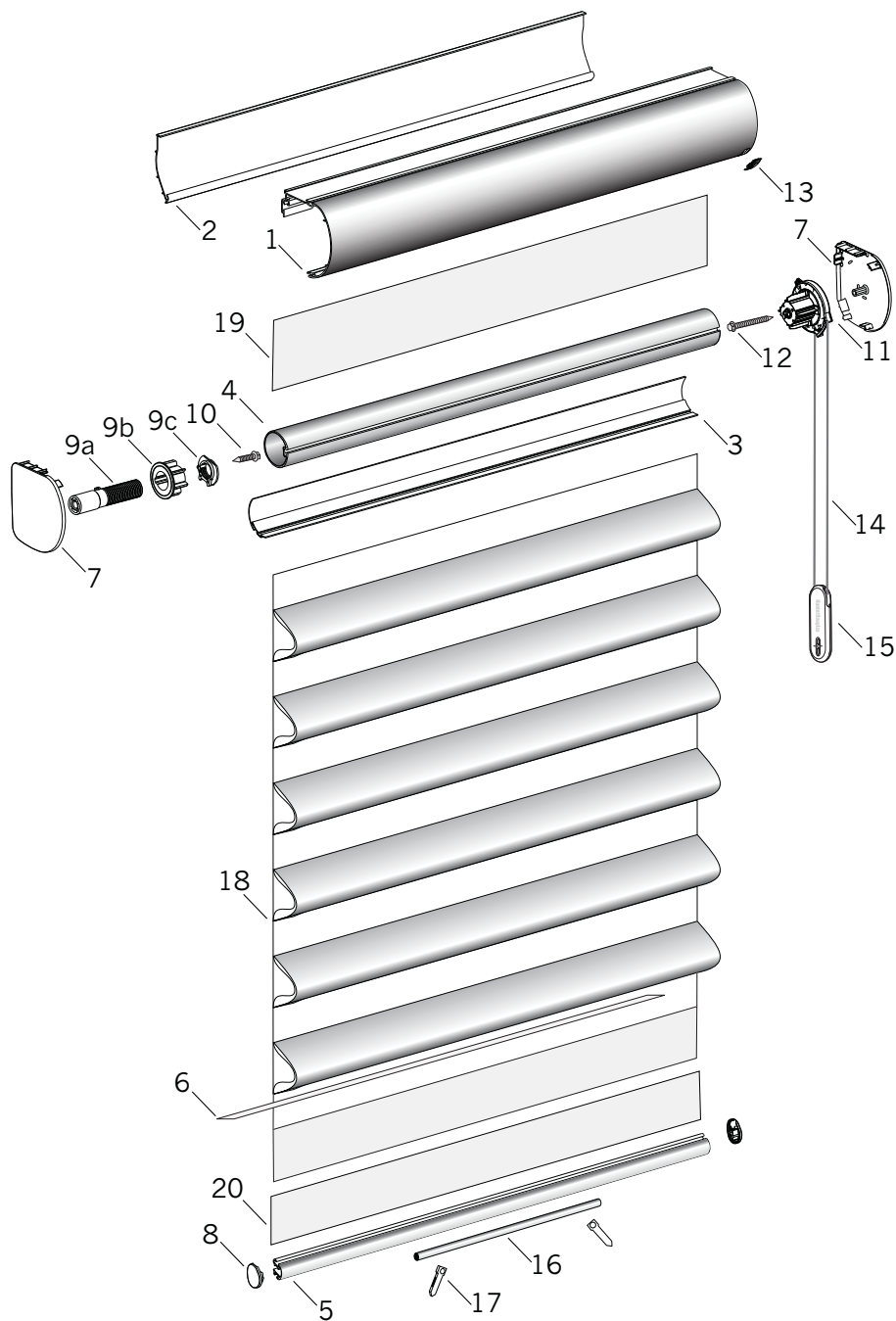


# Pirouette® EasyRise™ Standard



## Standard Parts

- |                        |                         |                              |
|------------------------|-------------------------|------------------------------|
| 1. Headrail            | 9. Limit Screw Assembly | 14. Cord Loop with Tag       |
| 2. Catch Rail          | 9a. Limit Screw         | 15. Universal Cord Tensioner |
| 3. Hook Rail           | 9b. Rotator             | 16. Bottom Rail Weight       |
| 4. Rotator Rail        | 9c. Limit Nut           | 17. Skew Weight Lock         |
| 5. Bottom Rail         | 10. Screw               | 18. Fabric Panel             |
| 6. Vane Weight         | 11. Clutch Assembly     | 19. Fabric for Headrail      |
| 7. Headrail End Cap    | 12. Screw               | 20. Fabric for Bottom Rail   |
| 8. Bottom Rail End Cap | 13. Bushing             |                              |

# Pirouette® EasyRise™ Standard

<b>No.</b>	<b>PCN</b>	<b>Description</b>
1.	4600016661	Headrail
2.	4600006661	Catch Rail
3.	4600037661	Hook Rail
4.	4600049661	Rotator Rail
5.	4600009661	Bottom Rail
6.	4600000038	Vane Weight, Polycarbonate
7.	Headrail End Cap	
	4603940XXX	Top Rail End Cap - RH
	4603950XXX	Top Rail End Cap - LH
8.	4600004XXX	Bottom Rail End Cap, Pair
9.	Limit Screw Assembly	
	4600000051	Right-Control
	4600000052	Left-Control
9a.	N/A	Limit Screw
9b.	N/A	Rotator
9c.	N/A	Limit Nut
10.	4150158000	Screw, #10 x 5/8" SHWS Zinc-Plated
11.	4600000046	Clutch Assembly
12.	4150159000	Screw, #10 x 1 3/8" SHWS Zinc-Plated
13.	4600000053	Bushing
14.	4199XXXXXX	Cord Loop With Tag
15.	Universal Cord Tensioner, with logo	
	4150336XXX	Single
	4151336XXX	Carton of 250
16.	4600000070	Bottom Rail Weight
17.	4600000021	Weight Lock
18.	N/A	Fabric
19.	PRHR YXXX	Fabric Piece to Cover Headrail
20.	PRBR YXXX	Fabric Piece to Cover Bottom Rail

XXX = 3-digit color code

Y = Fabric Type (S = Satin, L = Linen, and C = Crepe)