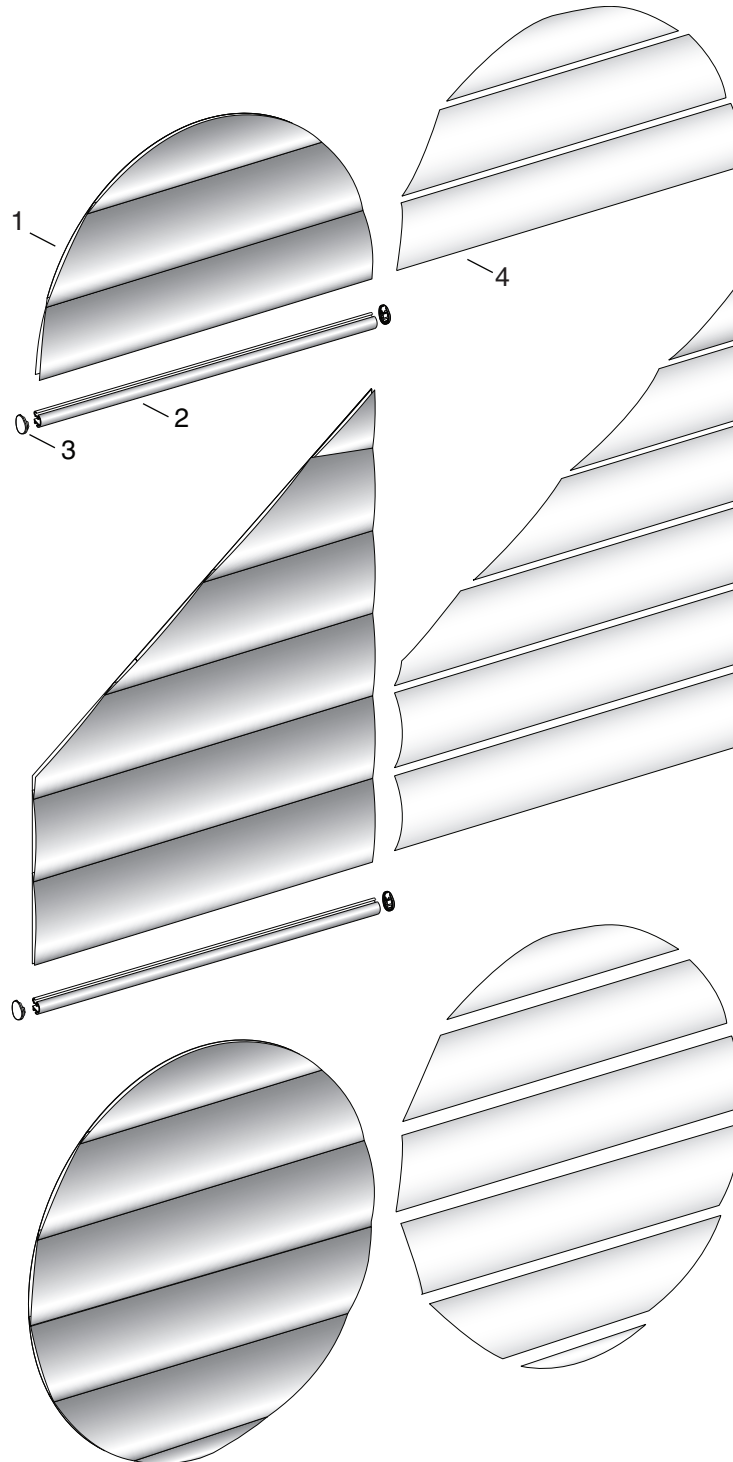


Pirouette® Specialty Shapes



Standard Parts

- 1. Fabric
- 2. Bottom Rail
- 3. Bottom Rail End Caps
- 4. Vane Supports

Pirouette® Specialty Shapes

No.	PCN	Description
1.	N/A	Fabric
2.	4600009661	Bottom Rail (Arches & Angle Top only)
3.	4600004XXX	Bottom Rail End Cap (Arches & Angle Top only)
4.	4600104000	Vane Support
	4600117000	5" Vane Support

Note: XXX = 3-digit color code