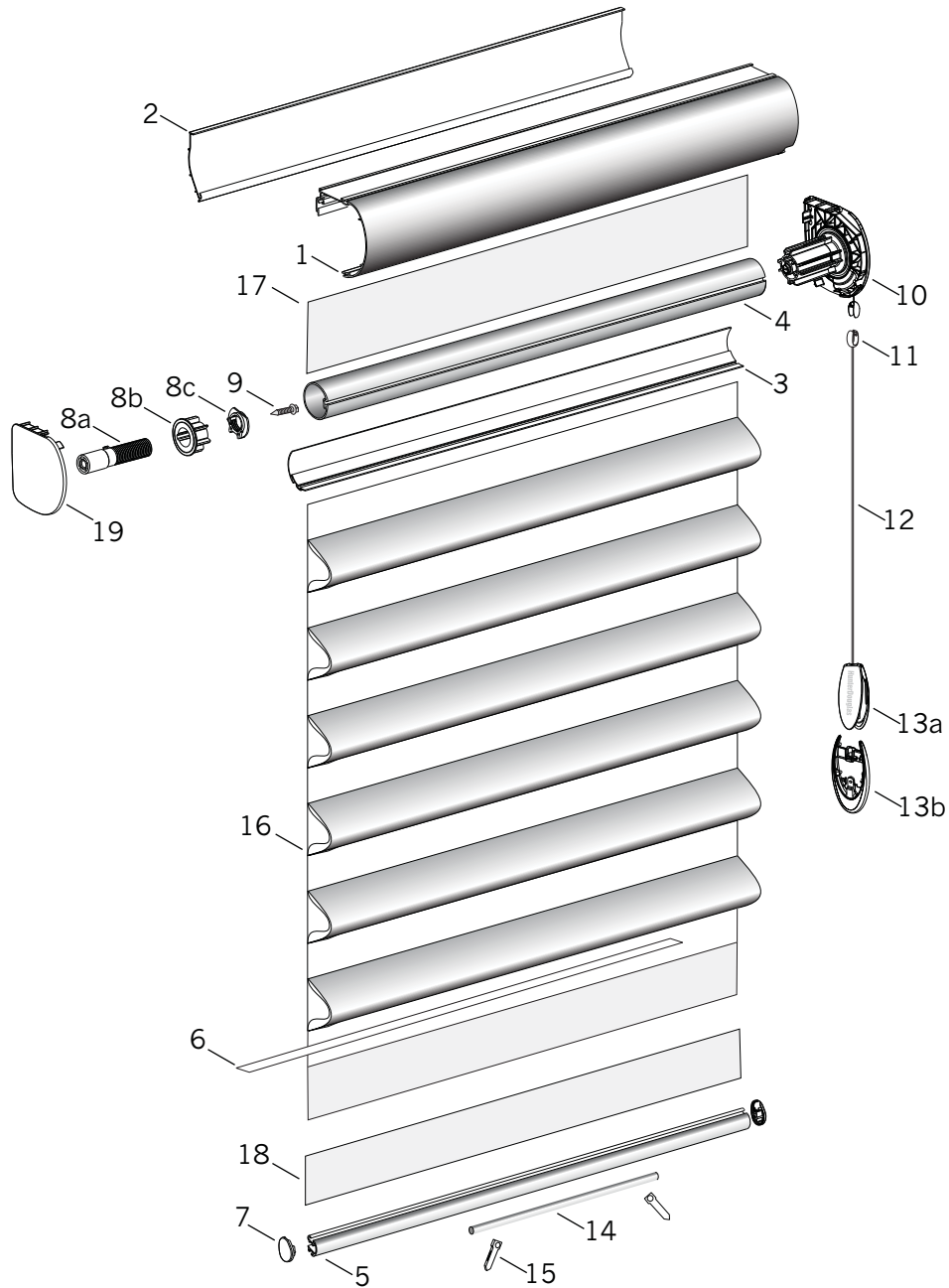


Pirouette® UltraGlide®



Standard Parts

- | | | |
|-------------------------|--|--|
| 1. Headrail | 8a. Limit Screw | 13a. Tassel Cover |
| 2. Catch Rail | 8b. Rotator | 13b. Tassel Base |
| 3. Hook Rail | 8c. Limit Nut | 14. Bottom Rail Weight |
| 4. Rotator Rail | 9. Screw, #10 x 5/8" | 15. Weight Lock |
| 5. Bottom Rail | 10. Pirouette UltraGlide Clutch/
End Cap Assembly | 16. Fabric |
| 6. Vane Weight | 11. Lower Cord Connector | 17. Fabric Piece to Cover Headrail |
| 7. Bottom Rail End Cap | 12. Tassel Cord | 18. Fabric Piece to Cover Bottom
Rail |
| 8. Limit Screw Assembly | | 19. End Cap |

Pirouette® UltraGlide®

No.	PCN	Description
1.	4600016661	Headrail
2.	4600006661	Catch Rail
3.	4600037661	Hook Rail
4.	4600049661	Rotator Rail
5.	4600009661	Bottom Rail
6.	4600000038	Vane Weight, Polycarbonate
7.	4600004XXX	Bottom Rail End Cap, Pair
8.	Limit Screw Assembly	
	4600000051	Right-Control
	4600000052	Left-Control
8a.	N/A	Limit Screw
8b.	N/A	Rotator
8c.	N/A	Limit Nut
9.	4150158000	Screw, #10 x 5/8" SHWS Zinc-Plated
10.	Pirouette UltraGlide Clutch/End Cap Assembly	
	4600067XXX	RH
	4600068XXX	LH
	4154738000	Cord Connector, Upper (comes attached to the above two clutch assemblies)
11.	4154739000	Lower Cord Connector
12.	2930320XXX	Tassel Cord
13.	Designer Tassel	
13a.	2931556XXX	Cover
13b.	2931555000	Base
14.	4600000070	Bottom Rail Weight
15.	4600000021	Weight Lock
16.	N/A	Fabric
17.	PRHR YXXX	Fabric Piece to Cover Headrail
18.	PRBR YXXX	Fabric Piece to Cover Bottom Rail
19.	Headrail End Cap	
	4603950XXX	RH
	4603940XXX	LH

XXX = 3-digit color code

Y = Fabric Type (S = Satin, L = Linen, and C = Crepe)