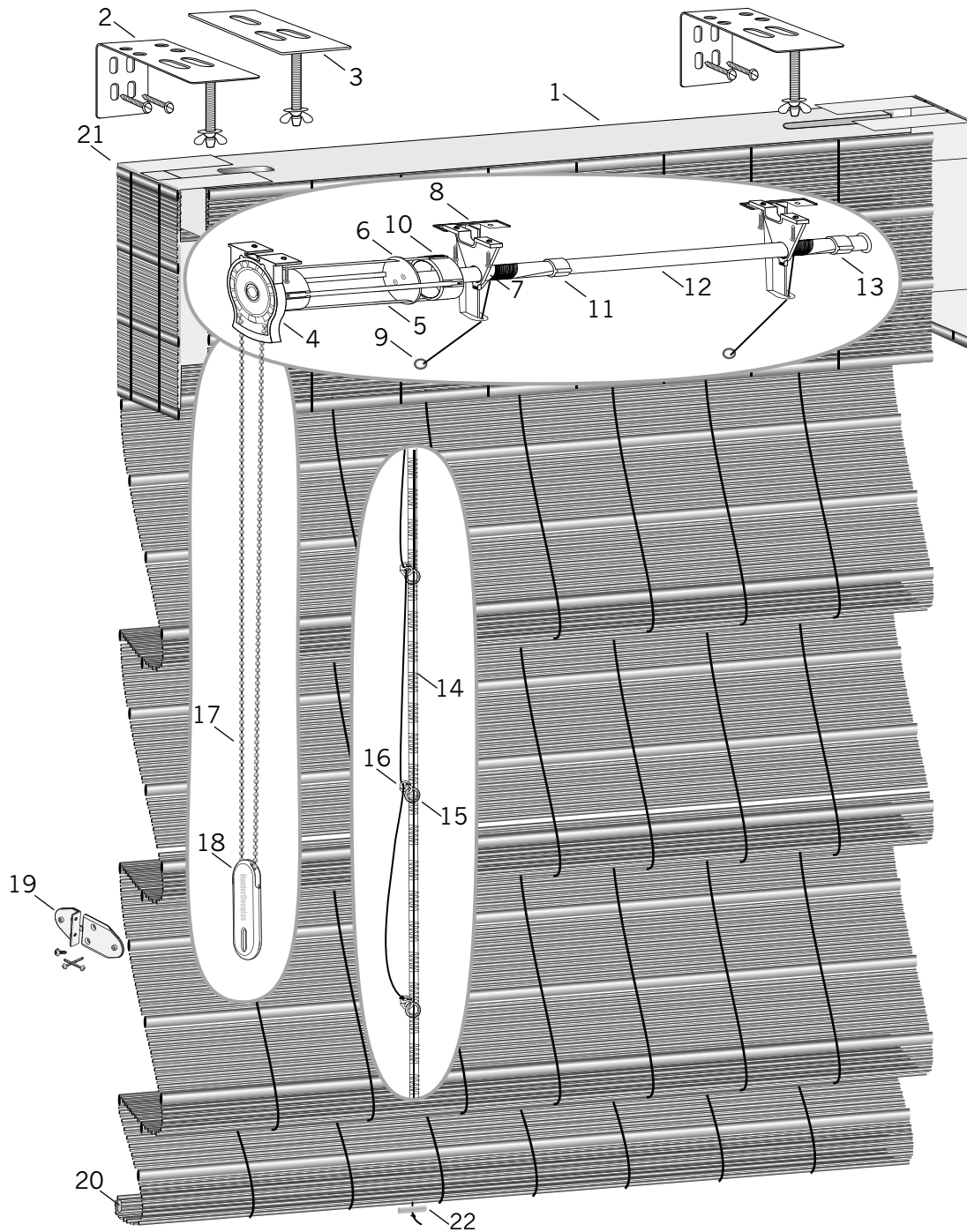


Hobbled With Clutch



Standard Parts

- | | | |
|--------------------------------------|-------------------------------|------------------------------------|
| 1. Clutch Headrail | 8. Stop Bracket | 16. Hobbled Ring Cord |
| 2. Standard Installation Brackets | 9. Grommet Set | 17. Bead Chain |
| 3. Ceiling Mount Brackets (Optional) | 10. Drive Disk Spear Retainer | 18. Universal Cord Tensioner (UCT) |
| 4. Clutch | 11. Cord Clip | 19. UCT Mounting Kit |
| 5. Spears | 12. Fiberglass Shaft | 20. Bottom Wood Slat |
| 6. Disk Screws | 13. Shaft End Cap | 21. Returns |
| 7. Standard Shaft Bracket | 14. Cord | 22. Flat Cord Stop |
| | 15. Split Ring | |

Hobbled With Clutch

| No. | PCN | Description | Parts Not Shown: |
|------------|------------|--|--|
| 1. | WWC90214x | 2 ½" × ¾" × 16' Woven Wood Clutch Headrail | WWC900149 Clutch Cover |
| 2. | | Woven Wood Standard Clutch Installation Brackets | Additional Components (Not Shown): |
| | RWC600250 | 2 Pack | WWC906xxx Headrail Tape |
| | RWC600251 | 3 Pack | RWC60005x Staples |
| 3. | | Woven Wood Ceiling Mount Brackets | RWC600009 ¾" Screw for Hardware (Antique Finish) |
| | WWC900214 | 2 Pack | 7107685000 Tension Device Safety Hang Tag |
| | WWC900215 | 3 Pack | LIT888268 ANSI 5.2.8 Back Cord Warning Tag |
| 4. | WWC900150 | Standard Clutch | LIT888112 Provenance® Woven Wood Hang Tag |
| 5. | | Spears | WWC900233 Extension Brackets for Clutch (3 Pack) |
| | WWC900152 | Standard (6") | WWCTEBxxx Twill Edge Banding |
| | WWC900167 | Short (4.6") | WWCNEBxxx Narrow Grosgrain Edge Banding |
| 6. | WWC900155 | Disk Screws | WWCWEBxxx Wide Grosgrain Edge Banding |
| 7. | WWC900151 | Standard Shaft Bracket | WWCCEBxxx Chevron Edge Banding |
| 8. | WWC900180 | Stop Bracket | WWC90019x Edge Banding Thread |
| 9. | | Grommet & Washer Set | WWC900240 Glue (Hot Melt Adhesive) |
| | RWC600055 | Brass | WWC900166 1½" Double Faced Tape for Returns |
| | WWC90026x | Other Colors | LIT888604 3" × 2" Label for Returns Packaging |
| 10. | WWC900154 | Drive Disk, Spear Retainer Set | |
| 11. | WWC900153 | Cord Clips | Sales Aids/Collateral Materials |
| 12. | WWC900158 | Fiberglass Shaft | WWCSBK008 Provenance Woven Wood Shades Sample Book |
| 13. | WWC900156 | Shaft End Cap | LIT888608 Provenance Woven Wood Shades 2010 Update Kit |
| 14. | WWC924xxx | 1.2 mm Cord Shroud | LIT888230C Provenance Woven Wood Shades Installation Instructions (English) |
| 15. | WWC900210 | Split Ring | LIT888230CF Provenance Woven Wood Shades Installation Instructions (French) |
| 16. | WWC9090xx | Hobbled Ring Cord | LIT888607 Comprehensive Provenance Sell Sheet |
| 17. | | Bead Chain Loop | LIT888609 2010 Provenance Sell Sheet |
| | MPCO102xxx | 2' | WW888601 Roman Style Cordlock Hand Sample with Narrow Edge Banding (18" × 24") – Sierra, White Bark Pine |
| | MPCO103xxx | 3' | WW888605 Classic Style Cordlock Hand Sample with LF Liner (18" × 24") – Serengeti, Maasai Shield |
| | MPCO104xxx | 4' | WW888606 Hobbled Style Cordlock Hand Sample (18" × 32") – Rolling Meadows, Barley Fields |
| | MPCO105xxx | 5' | |
| | MPCO106xxx | 6' | |
| | MPCO107xxx | 7' | |
| | MPCO108xxx | 8' | |
| 18. | | Universal Cord Tensioner | |
| | 4151042785 | Aspen White | |
| | 4150042xxx | Other Colors | |
| 19. | KIT2350 | Universal Cord Tensioner Mounting Kit | |
| 20. | WWC900250 | Bottom Wood Slat | |
| 21. | | Returns | |
| | WWC900012 | Right Side | |
| | WWC900013 | Left Side | |
| 22. | WWC900022 | Flat Cord Stop for Hobbled Shades (Clear) | |

Note: x, xx, or xxx = color code.