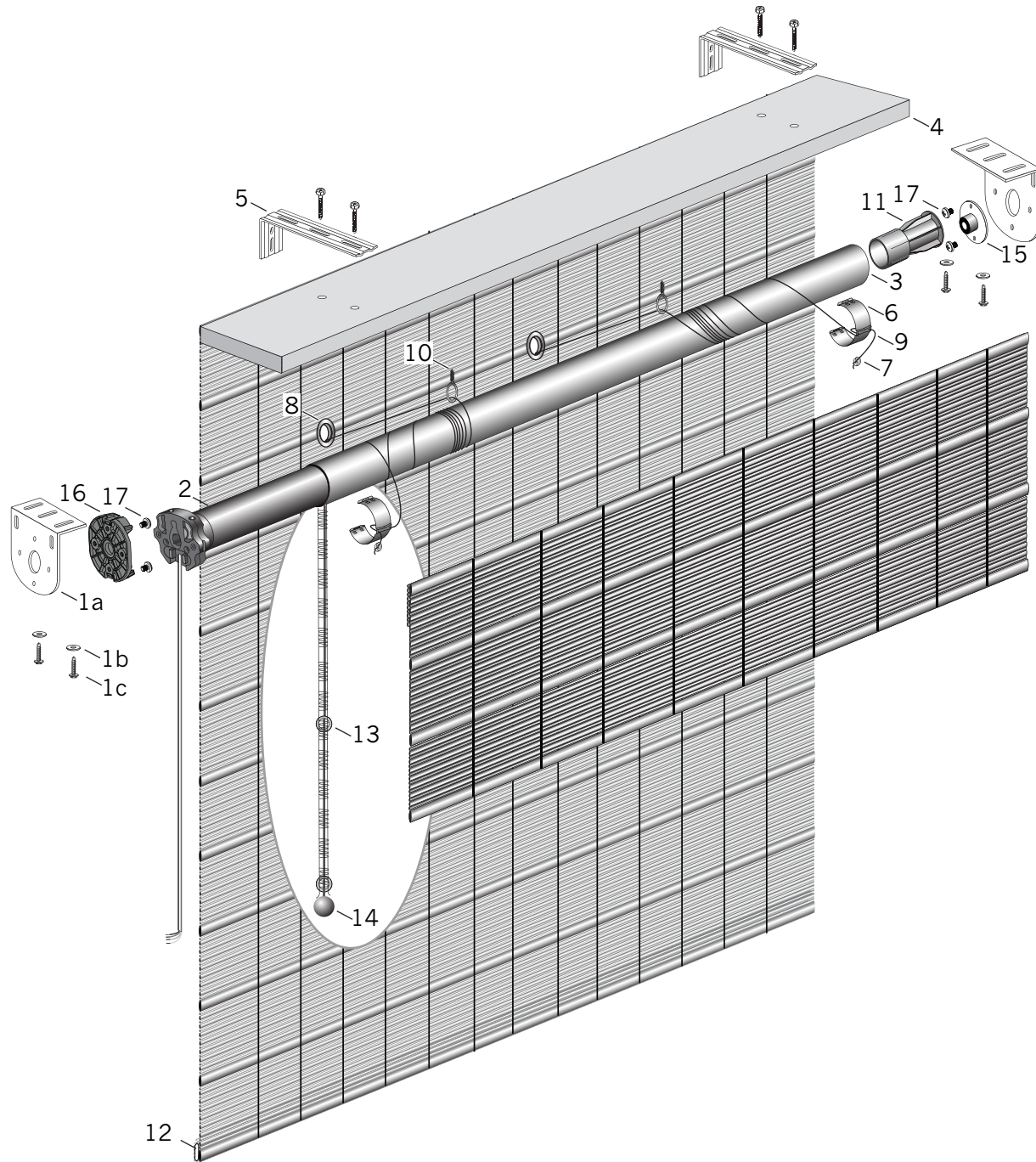


Motorized (HD634A) Shades



Standard Parts

- | | | |
|---------------------------------------|-------------------|---------------------------|
| 1. Motor Brackets & Mounting Hardware | 6. Lift-Line Clip | 12. Bottom Wood Slat |
| 2. Motor | 7. Plastic Washer | 13. Split Ring |
| 3. Tube | 8. Grommet Set | 14. Round Cord Stop |
| 4. Headrail | 9. Cord | 15. Idler Bracket |
| 5. Installation Brackets | 10. Screw Eye | 16. Motor Mount Bracket |
| | 11. End Plug | 17. 8-32 × 3/16" Screw PP |

Motorized (HD634A) Shades

No.	PCN	Description	Motorization Options:	
1.	RC439000	Motorized Extended Bracket	Basic Switch Control	
2.	RC445148	HD634A Motor	RC445050	Momentary Rocker Switch Kit (Ivory)
3.	RC445078	2" OD Aluminum Tube-16' (Un-taped)	RC445064	Maintained Rocker Switch (White)
4.	WWC90314x	3½" × 1" × 16' Woven Wood Motorized Headrail	445022	Maintained Rocker Switch (Ivory)
5.	WWC900450	Woven Wood Standard Motorized Shade Installation Brackets (2 Pack)	Intelligent Control	
6.	WWC900024	2" Lift-Line Motor Clip	2170000015	Plug & Play Control Box (1 Motor)
7.	555019	Plastic Washer	2170000016	Plug & Play Control Box (2 Motors)
8.	Grommet Set		2170000001	Universal Mount Control
	RWC600055	Brass	2170000137	Insulator Kit For Universal Mount Control
	WWC90026x	Other Colors	Input Devices For Intelligent Motor Controls:	
9.	WWC925xxx	1.8 mm Cord Shroud	2170000080	Keypad (6 channel)
10.	WWC900019	Screw Eyes	2170000079	Keypad (24 channel)
11.	RC450076	Universal End Plug	2983395000	Platinum Remote Control
12.	WWC900250	Bottom Wood Slat	2986350000	Wireless Wall Switch Kit – Platinum
13.	WWC900210	Split Ring	2980009000	Platinum-to-RP Adapter Satellite Eye (for single controller)
14.	555096	Round Cord Stop (Clear)	2986090000	Platinum-to-RP Adapter Satellite Eye (for 2-motor Plug & Play Box)
15.	RC450075	Round Anti-Vibration Idler Bracket	2170000055	Dual Remote Control Transmitter (6 channel)
16.	RC445308	Motor Mount Bracket	2170000054	Dual Remote Control Transmitter (24 channel)
17.	RC445313	8-32 × ¾" Screw PP	2170000096	IR Receiver Eye (2' Cord)
Additional Components (Not Shown):			2170000097	IR Receiver Eye (6' Cord)
	WWC906xxx	Headrail Tape	2170000095	Radio Receiver
	RWC60005x	Staples	Additional Control Option(s):	
	LIT888112	Provenance® Woven Wood Hang Tag	2170000035	Sun Sensor
	LIT888268	ANSI 5.2.8 Back Cord Warning Tag	2170000125	Sun & Wind Sensor Control Unit
	RC445248	Crown & Drive Set		
	WWC900111	Motorized Packaging		
	WWCTEBxxx	Twill Edge Banding		
	WWCNEBxxx	Narrow Grosgrain Edge Banding		
	WWCWEBxxx	Wide Grosgrain Edge Banding		
	WWCCEBxxx	Chevron Edge Banding		
	WWC90019x	Edge Banding Thread		
	WWC900240	Glue (Hot Melt Adhesive)		

Motorized (HD634A) Shades

Sales Aids/Collateral Materials:

WWCSBK008	Provenance Woven Wood Shades Sample Book
LIT888608	Provenance Woven Wood Shades 2010 Update Kit
LIT888250B	Provenance Woven Woods Motorized Installation Instructions (English)
LIT888250BF	Provenance Woven Woods Motorized Installation Instructions (French)
LIT888607	Comprehensive Provenance Sell Sheet
LIT888609	2010 Provenance Sell Sheet
WW888601	Roman Style Cordlock Hand Sample with Narrow Edge Banding (18" × 24") – Sierra, White Bark Pine
WW888605	Classic Style Cordlock Hand Sample with LF Liner (18" × 24") – Serengeti, Maasai Shield
WW888606	Hobbled Style Cordlock Hand Sample (18" × 32") – Rolling Meadows, Barley Fields

Note: x, xx, or xxx = color code