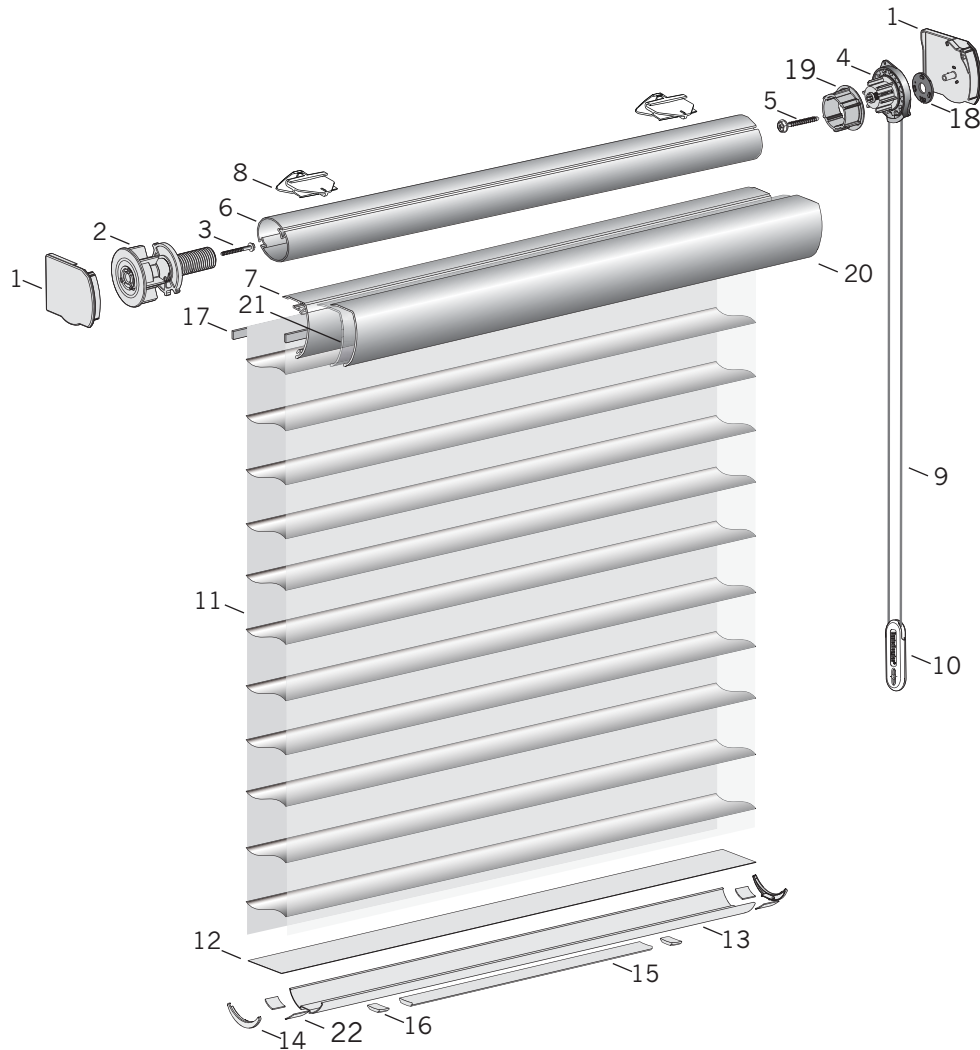


Quartette® EasyRise™



Standard Parts

- | | | |
|--------------------------------|-------------------------------|------------------------|
| 1. Headrail End Caps – XL | 9. Cord Loop | 16. Weight Clips |
| 2. Limit Screw Assembly | 10. Cord Tensioner | 17. Polystrip |
| 3. Screw, #10 x 5/8" | 11. Silhouette® Fabric | 18. Adapter |
| 4. Clutch Assembly | 12. Bottom Slat – Quartette® | 19. XL Bushing |
| 5. Screw, #10 x 1 3/8" | 13. Bottom Rail – XL | 20. FCH Fabric |
| 6. Universal Rotator Rail – XL | 14. Bottom Rail End Caps – XL | 21. Full Width Tape |
| 7. Headrail – XL | 15. Balance Weight | 22. Steel Insert Strip |
| 8. Top Limit Assembly – XL | | |

Quartette® EasyRise™

No.	PCN	Description
1.	4140217xxx	Headrail End Caps – XL (1 Pair)
2.	Limit Screw Assembly	
	4140210000	XL RH
	4140211000	XL LH
3.	4150158000	Screw, #10 x 5/8" SHWH Zinc-Plated
4.	4140347000	Clutch Assembly
5.	4150159000	Screw, #10 x 1 3/8" SHWH Zinc-Plated
6.	4140128xxx	Universal Rotator Rail – XL (785 – For All Fabrics Except A25 & A26)
7.	4140127661	Headrail – XL
8.	4140126000	Top Limit Assembly – XL
9.	Cord Loop	
	4199010000	1' (Natural Only)
	4199020xxx	2'
	4199030xxx	3'
	4199040xxx	4'
	4199050xxx	5'
	4199060000	6' (Natural Only)
10.	4150336xxx	Universal Cord Tensioner
11.	N/A	Fabric
12.	N/A	Bottom Slat
13.	4140129xxx	Bottom Rail – XL
14.	4140125xxx	Bottom Rail End Caps – XL
15.	4150082xxx	Balance Weight
16.	4150083xxx	Weight Clips
17.	4150288785	Polystrip With Tape
18.	4140462000	Adapter
19.	4140123000	XL – Bushing
20.	N/A	FCH Fabric
21.	Full Width Tape	
	4150153500	SU FW Tape, 3.219" X 320 Yards
	4150155500	NAN FW Tape, 3.219" X 60 Yards
22.	4140601000	SU XL Steel Insert Strip, Long

xxx = 3 Digit Color Code