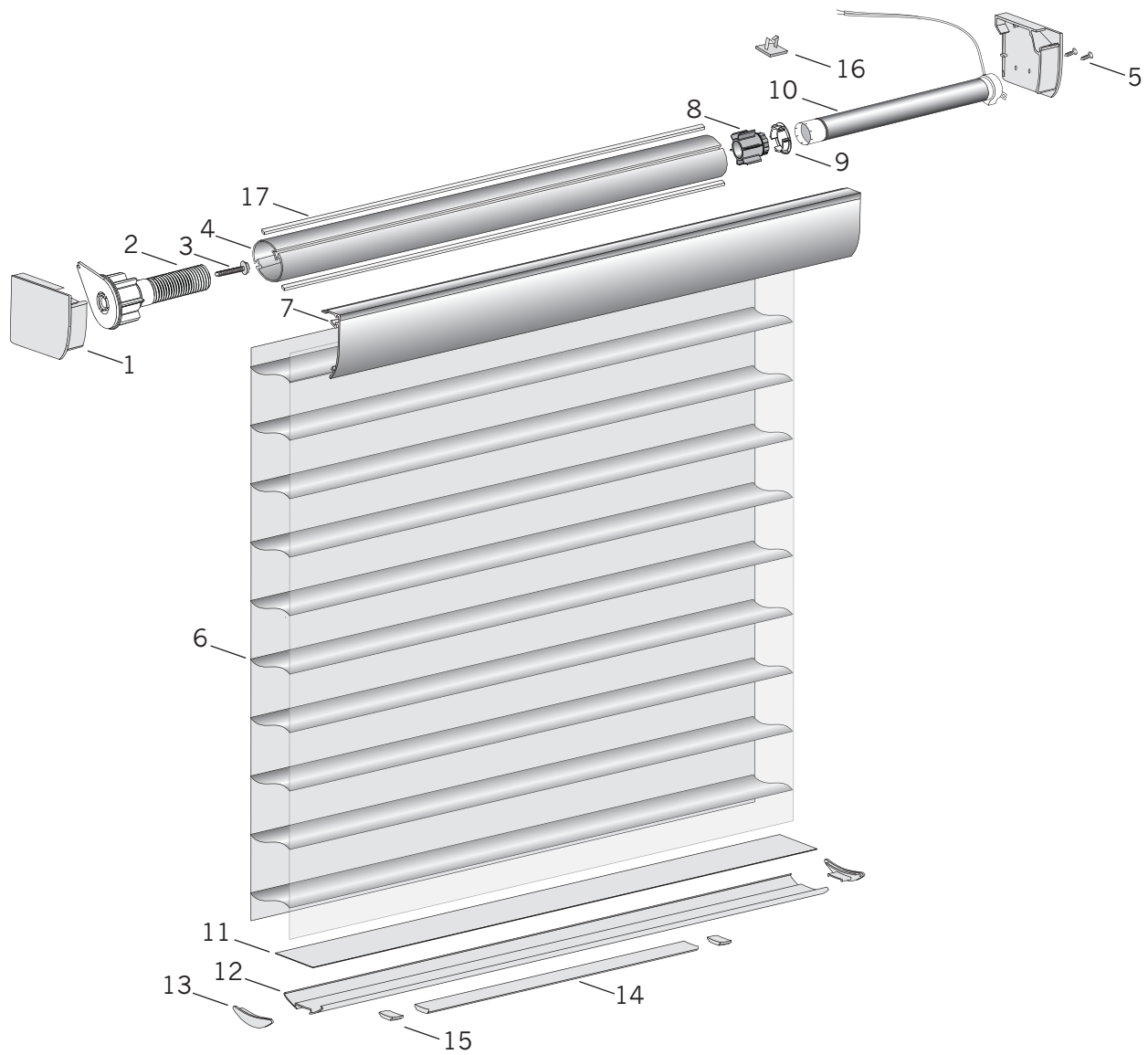


Silhouette® Hard-Wired Motorization



Standard Parts

- | | | |
|---------------------------|----------------------------|-----------------------------|
| 1. Headrail End Caps | 7. Fabric Covered Headrail | 13. Bottom Rail End Caps |
| 2. Limit Screw Assembly | 8. Motor Coupling | 14. Balance Weight |
| 3. Screw | 9. Motor Spacer | 15. Weight Clips |
| 4. Universal Rotator Rail | 10. 12 VDC Motor | 16. Wire Saddle |
| 5. Screw, Motor Mounting | 11. Bottom Slat | 17. Polystrip With Adhesive |
| 6. Fabric | 12. Bottom Rail | |

Silhouette® Hard-Wired Motorization

No.	PCN	Description
1.	Headrail End Caps	
	4158226xxx	Standard
	4178201xxx	Oversized (Not Shown)
2.	4152120000	URR Limit Screw Assembly, PowerRise® RH
3.	4150158000	Screw, Rotator
4.	4150260xxx	Universal Rotator Rail
5.	4150121000	#10 Motor Mounting Screws
6.	N/A	Fabric – 2" and 3" Vane
7.	Fabric Covered Headrail (Select Fabric Color)	
	4158256661	Standard
	4170314661	Oversized (Not Shown)
8.	4151209000	Motor Coupling
9.	4151208000	SU URR Motor Spacer
10	4150115000	12 VDC Motor
11.	N/A	Bottom Slat
12.	4150128xxx	Bottom Rail
13.	4150084xxx	Bottom Rail End Caps
14.	4150082xxx	Balance Weight (Bottom Rail Weight)
15.	4150083xxx	Weight Clips
16.	2981136000	Wire Saddle
17.	4150288785	Polystrip With Adhesive

xxx = 3-digit color code