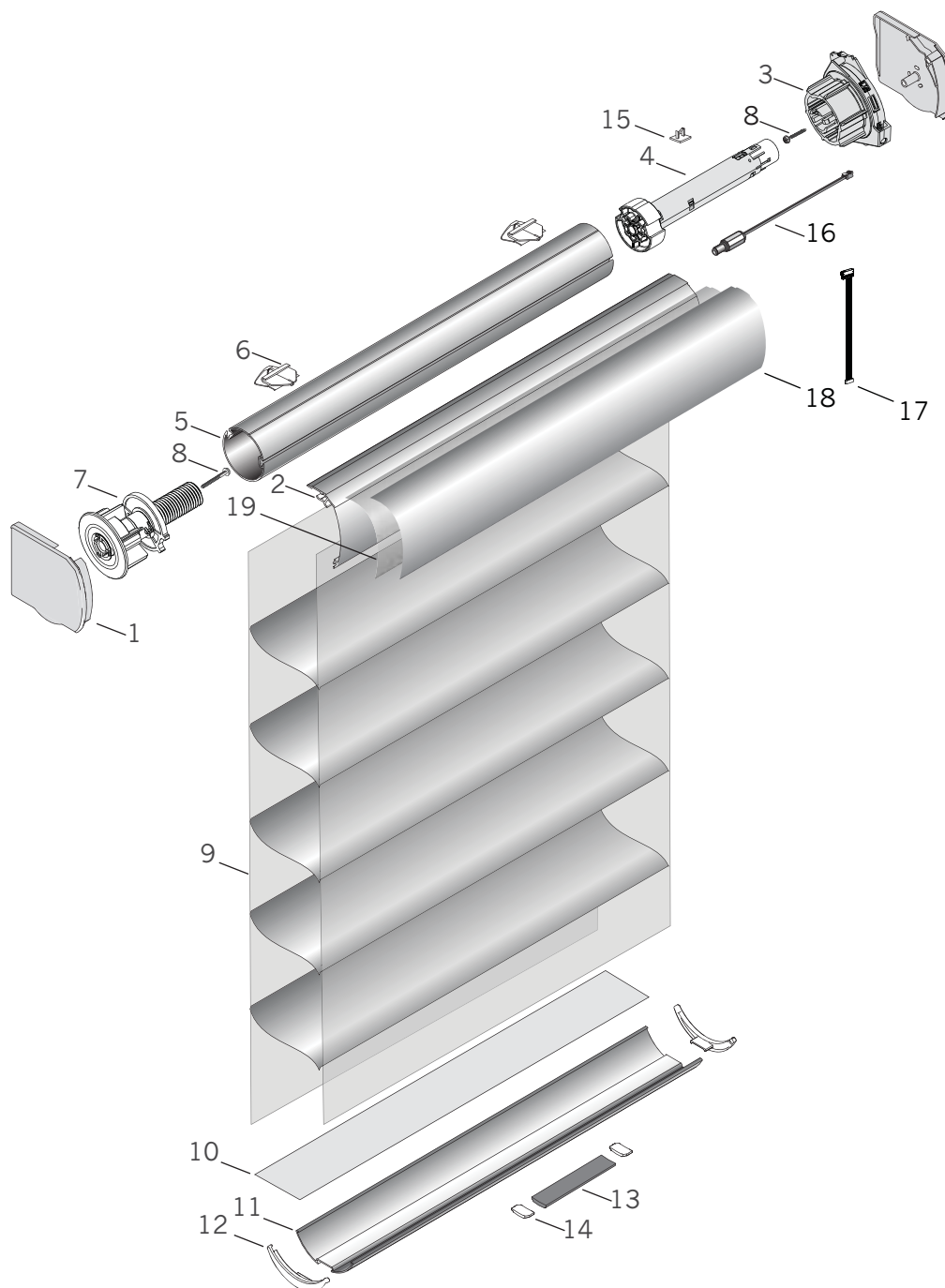


Silhouette® Quartette® Shadings



Standard Parts

- | | | |
|-----------------------------------|----------------------------------|----------------------------------|
| 1. Headrail End Caps – XL | 7. LH or RH Limit Screw Assembly | 13. Balance Weight |
| 2. Headrail – XL – Fabric Covered | 8. Screw | 14. Weight Clips |
| 3. SU Cartridge Asm | 9. Fabric | 15. Wire Saddle |
| 4. Motor Assembly | 10. Bottom Slat – XL | 16. Power Adapter Cable |
| 5. Rotator Rail – XL | 11. Bottom Rail – XL | 17. Interface Module Cable Assy. |
| 6. XL Top Limit Stop | 12. Bottom Rail End Caps – XL | 18. FCH Fabric |
| | | 19. Full Width Tape |

Silhouette® Quartette® Shadings

No.	PCN	Description
1.	4140217xxx	Headrail End Caps – XL
2.	4140127661	Fabric Covered Headrail – XL
3.	SU Cartridge Asm, Quartette, Platinum™ 2.0	
	4141072004	RH
	4141074004	LH
4.	4140243000	Motor Assembly, Quiet
5.	4140128xxx	Rotator Rail – XL (785 Except for A25 & A26)
6.	4140126000	Top Limit – XL
7.	Limit Screw Assembly	
	4140210000	LH
	4140211000	RH
8.	4150158000	Screw #10 x 5/8" Sheet Metal Washer Head Screw, Zinc Plated
9.	N/A	Fabrics – 4" Vane
10.	N/A	Bottom Slat
11.	4140129xxx	Bottom Rail – XL
12.	4140125xxx	Bottom Rail End Caps – XL
13.	4150082xxx	Balance Weight (Bottom Rail Weight)
14.	4150083xxx	Weight Clips
15.	2981136000	Wire Saddle
16.	2920247000	Power Adapter Cable
17.	4151186000	Interface Module Cable Assy (Only used if Connection Interface, PCN 4254220003, is ordered.)
18.	N/A	FCH Fabric
19.	Full Width Tape	
	4150153500	SU FW Tape, 3.219" X 320 Yards
	4150155500	NAN FW Tape, 3.219" X 60 Yards

xxx = 3-digit color code