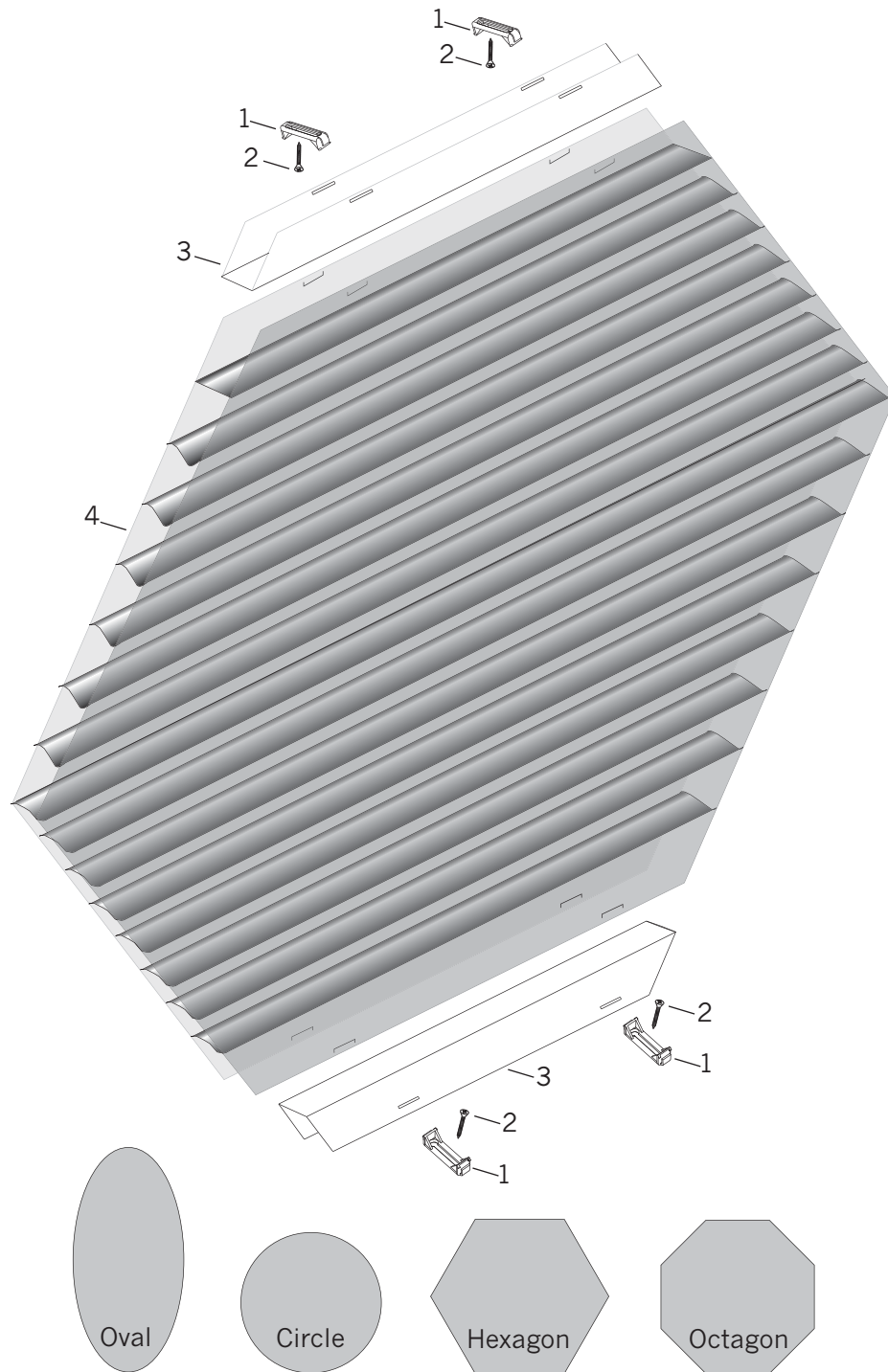


Silhouette® Hexagon



Top Channel Mount/Bottom Channel Mount

Standard Parts

1. Keyhole Brackets
2. #6 Flathead Screws
3. Polycarb Laminate
4. Fabric

Silhouette® Hexagon

No.	PCN	Description
1.	Keyhole Bracket	
	4155311000	2"
	4155314000	3"
	4140050000	4"
2.	4150163100	#6 Flathead Screws
3.	N/A	Polycarb Laminate (Custom Cut by Shading)
4.	N/A	Fabric

xxx = 3-digit color code