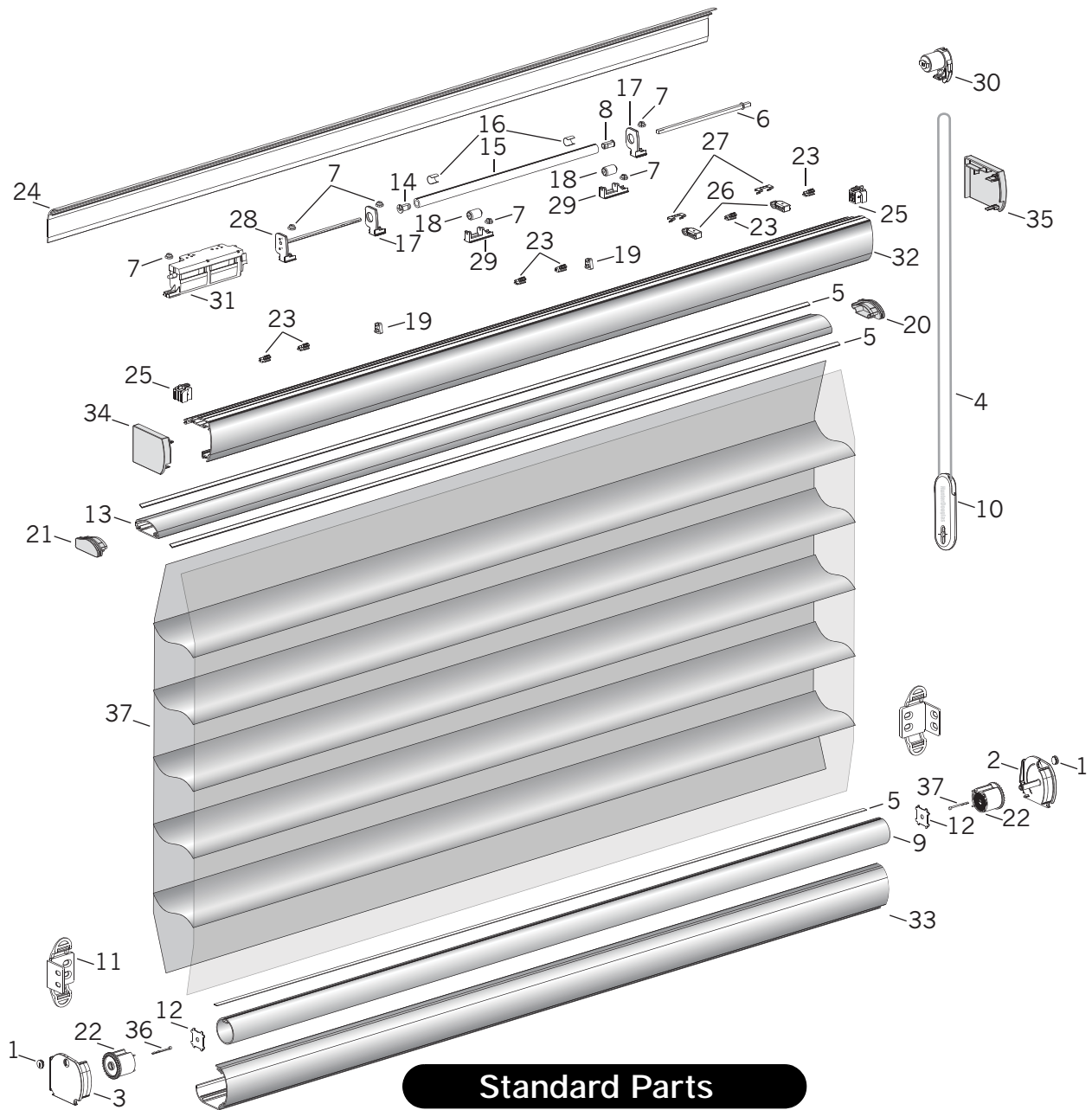


Silhouette® Top-Down/Bottom-Up



Standard Parts

- | | | |
|-----------------------------------|--------------------------------|--------------------------------------|
| 1. Bottom Cam Lock | 14. Easy Rise Stop - RH | 27. Pully Lock |
| 2. Bottom End Cap - RH (½ of Set) | 15. One Groove Shaft | 28. Screw Support Assembly |
| 3. Bottom End Cap - LH (½ of Set) | 16. Cord Clip | 29. Idler Support Bracket |
| 4. Cord | 17. Support Shaft Bracket | 30. Clutch Assembly |
| 5. Poly Strip | 18. Idler Assembly | 31. Lite Rise Housing Assembly |
| 6. Manhattan Drive Shaft | 19. Skew Adjuster | 32. Top Rail |
| 7. Spring Holder, Pivot Lock | 20. Center Rail End Cap - RH | 33. Bottom Rail |
| 8. Adapter Bos | 21. Center Rail End Cap - LH | 34. Top Rail End Cap - LH (½ of Set) |
| 9. Rotator Rail | 22. Spring Housing Assembly | 35. Top Rail End Cap - RH (½ of Set) |
| 10. Tensioner | 23. Back Cover Clip | 36. Barb, Dual Spring Housing Cover |
| 11. Hold Down Bracket | 24. Top Rail Back Cover | 37. Fabric |
| 12. Spring Cover | 25. Pully Bock Assembly - Dual | |
| 13. Center Rail | 26. Pivoting Pully Block Asm. | |

Silhouette® Top-Down/Bottom-Up

No.	PCN	Description
1.	4150019000	Button, Cam Lock – Silhouette
2.	4150458xxx	End Cap, Bottom, Silhouette TDBU RH (½ of a set)
3.	See #2	End Cap, Bottom, Silhouette TDBU LH (½ of a set)
4.	Lift Cord	
	4190010000	1 ' Cord (Natural Only)
	4190020xxx	2'
	4190030xxx	3'
	4190040xxx	4'
	4190050xxx	5'
	4190060000	6' Cord (Natural Only)
5.	4150288785	Poly Strip Assembly
6.	4151555000	Manhattan Drive Shaft
7.	2981043000	Spring Holder, Pivot Lock
8.	2981127000	Adaptor BOS
9.	3400272785	Rail, Rotator-VIG PowerRise
10.	4150336xxx	Sub-Assembly, Cord Tensioner
11.	4158416000	Bottom Rail Hold Down Bracket Kit
12.	4154805000	Spring Cover
13.	4154810xxx	Center Rail
14.	4154815000	Easy Rise Stop – RH
15.	4154817000	One Groove Shaft
16.	4154820000	Clip, Cord – 0.520 inch
17.	4154832000	Bracket, Shaft Support
18.	4154834000	Idler Assembly, 0.750 – 0.520 Shaft
19.	4154837000	Skew Adjuster
20.	4154839xxx	End Cap Assy, Center Rail – RH (½ of a set)
21.	See #20	End Cap Assy, Center Rail – LH (½ of a set)
22.	4154840xxx	Housing, Assy, Spring
23.	4154843000	Clip, Back Cover
24.	4154844885	Cover, Back – Top Rail
25.	4154847000	Pully Block Assy – Dual
26.	4154850000	Block Assy, Pivoting Pulley
27.	4154851000	Lock, Pulley
28.	4154852000	Assembly, Screw Support
29.	4154855000	Bracker Idler Support – 0.540 Shaft
30.	4154873000	Clutch Assy – SU TDBU – RH
31.	4154879000	Housing Assy, LiteRise
32.	4154883661	Rail, Top (Fabric Covered Standard)
33.	4154884xxx	Rail, Bottom – TDBU
34.	4154894xxx	Endcap, Top Rail, Cord Loop – LH (½ of a set)
35.	See #34	Endcap, Top Rail, Cord Loop – RH (½ of a set)
36.	4158412000	Barb, Dual - Spring Hsg Cover – TDBU
37.	N/A	Fabric

xxx = 3-digit color code