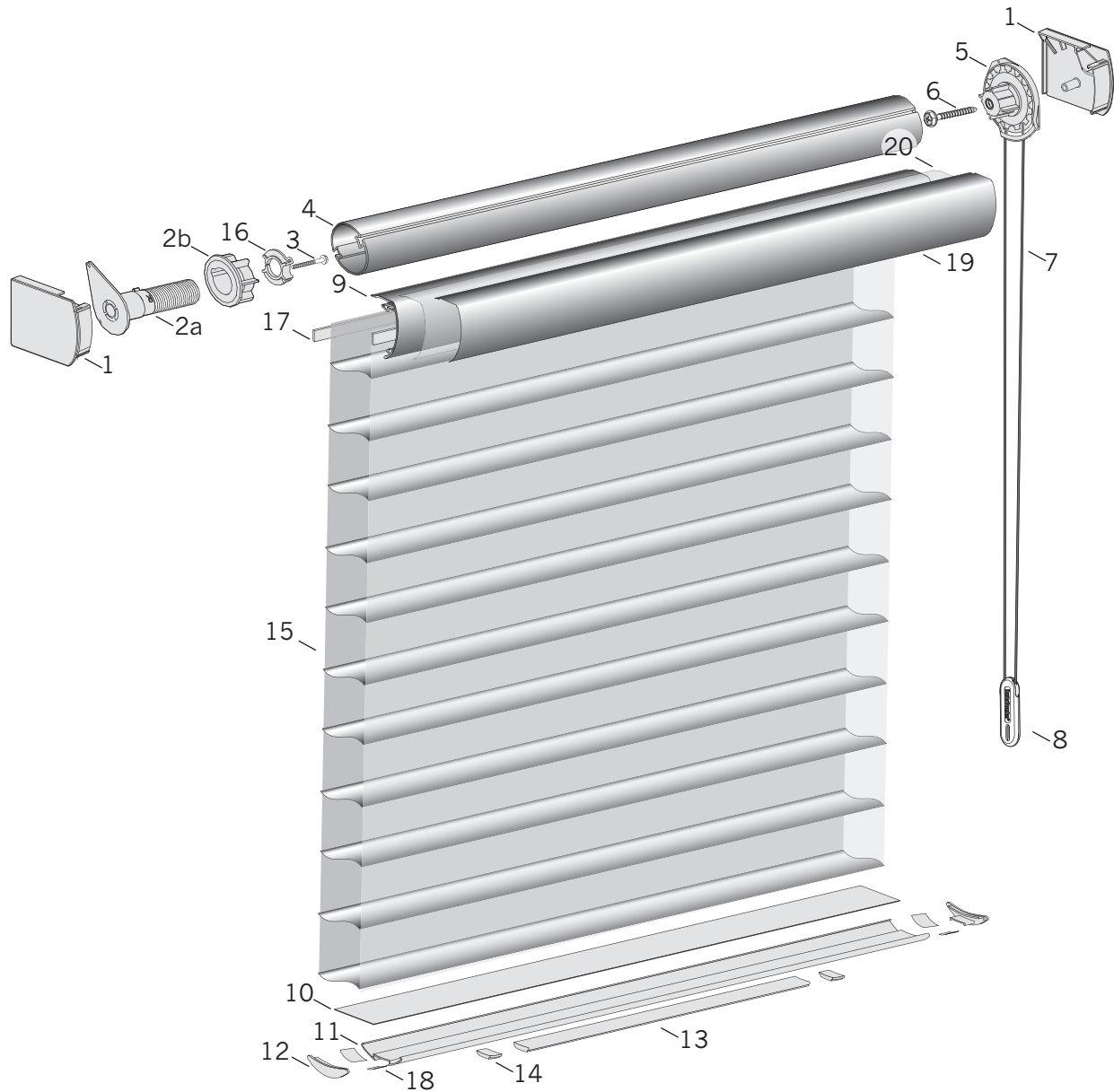


Silhouette® EasyRise™ Tilt Only



Standard Parts

- | | | |
|---------------------------|-----------------------------|--------------------------------|
| 1. Headrail End Caps | 6. Screw | 13. Balance Weight |
| 2. Limit Screw Assembly | 7. Cord Loop | 14. Weight Clips |
| 2a. Limit Screw | 8. Universal Cord Tensioner | 15. Fabric |
| 2b. Rotator | 9. Fabric Covered Headrail | 16. Tilt-Only Clip |
| 3. Screw | 10. Bottom Slat | 17. Polystrip |
| 4. Universal Rotator Rail | 11. Bottom Rail | 18. Steel Strip Pieces (Short) |
| 5. Clutch Assembly | 12. Bottom Rail End Caps | 19. FCH Fabric |
| | | 20. Full Width Tape |

Silhouette® EasyRise™ Tilt Only

No.	PCN	Description
1.		Headrail End Caps
	4178201xxx	Oversized
	4158226xxx	Standard
2.		Limit Screw Assembly
	4153244000	RH URR
	4153245000	LH URR
2a.	N/A	Limit Screw
2b.	N/A	Rotator
3.	4150158000	Screw, #10 x 5/8" SHWH Zinc-Plated
4.	4150260xxx	Universal Rotator Rail (785 - For all fabrics except A20 & A27)
5.	41504700000	RB Clutch ER SU-SUXL
6.	4150159000	Screw (Clutch)
7.		Cord Loop
	4190010000	1' (Natural Only)
	4199020xxx	2'
	4190030xxx	3'
	4190040xxx	4'
	4190050xxx	5'
	4190060000	6' (Natural Only)
8.	4150336xxx	Universal Cord Tensioner
9.		Fabric Covered Headrail
	4170314661	Oversized (Select Fabric Cover Color)
	4158256661	Standard (Select Fabric Cover Color)
10.	N/A	Bottom Slat
11.	4150128xxx	Bottom Rail
12.	4150084xxx	Bottom Rail End Caps
13.	4150082xxx	Balance Weight
14.	4150083xxx	Weight Clips
15.	N/A	Fabric
16.	4153085000	URR Tilt-Only Clip
17.	4150288785	Polystrip With Tape
18.	4150600000	SU Steel Insert Strip, Short
19.	N/A	FCH Fabric
20.		Full Width Tape
	4150153500	SU FW Tape, 3.219" X 320 Yards
	4150155500	NAN FW Tape, 3.219" X 60 Yards

Note: xxx = 3-digit color code