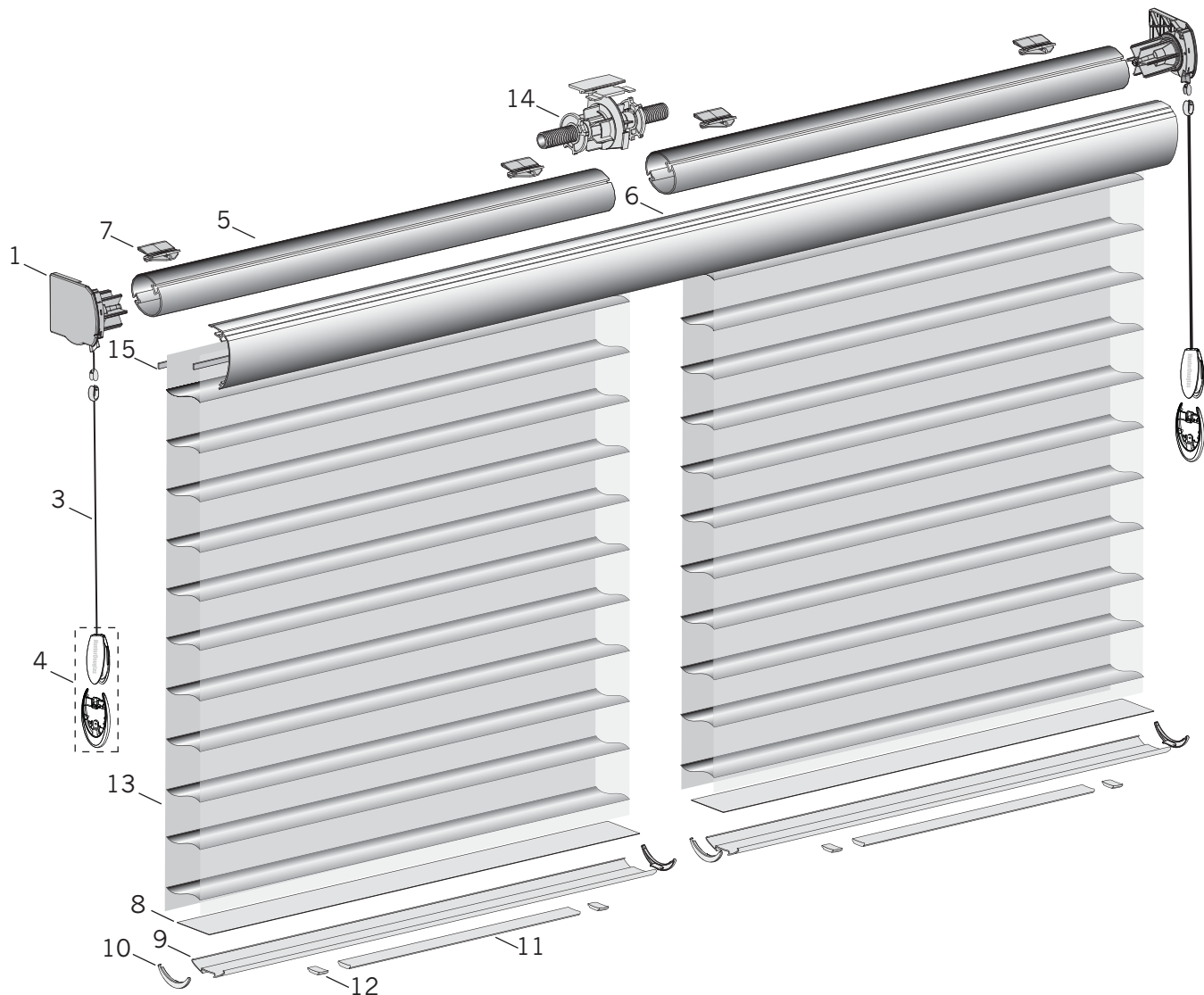


Quartette® Two-On-One Headrail



Standard Parts

- | | | |
|-----------------------------------|---------------------------------|---------------------------------------|
| 1a. Clutch with End Cap – XL – RH | 5. Rotator Rail – XL | 11. Balance Weight |
| 1b. Clutch with End Cap – XL – LH | 6. Fabric Covered Headrail – XL | 12. Weight Clips |
| 2. Lower Cord Connector | 7. Top Limit – XL | 13. Fabric |
| 3. Drop Cord | 8. Bottom Slat – XL | 14. Dual Rotator Center Assembly – XL |
| 4a. Tassel Cover | 9. Bottom Rail – XL | 15. Polystrip |
| 4b. Tassel Base | 10. Bottom Rail End Caps – XL | |

Quartette® Two-On-One Headrail

No.	PCN	Description
1a.	4140175xxx	Clutch with End Cap – XL RH
1b.	4140176xxx	Clutch with End Cap – XL LH
	4154738000	Cord Connector, Upper (comes attached to the above two clutch assemblies)
2.	4154739000	Lower Cord Connector
3.	2930320xxx	Drop Cord 2.2 mm, D-20
4.	Tassel	
a.	2931556xxx	Designer Tassel Cover
b.	2931555000	Designer Tassel Base
5.	4140128xxx	Rotator Rail – XL (785 Except For A25 & A26 Fabrics)
6.	4140127661	Fabric Covered Headrail – XL (Select Fabric Cover Color)
7.	4140126000	Top Limit – XL
8.	N/A	Bottom Slat – XL
9.	4140129xxx	Bottom Rail – XL
10.	4140125xxx	Bottom Rail End Caps – XL
11.	4150082xxx	Balance Weight
12.	4150083xxx	Weight Clips
13.	N/A	Fabric
14.	4140449000	Dual Rotator Center Assy, Sil – XL Dual Rotator
15.	4150288785	Polystrip With Tape

xxx = 3-digit color code