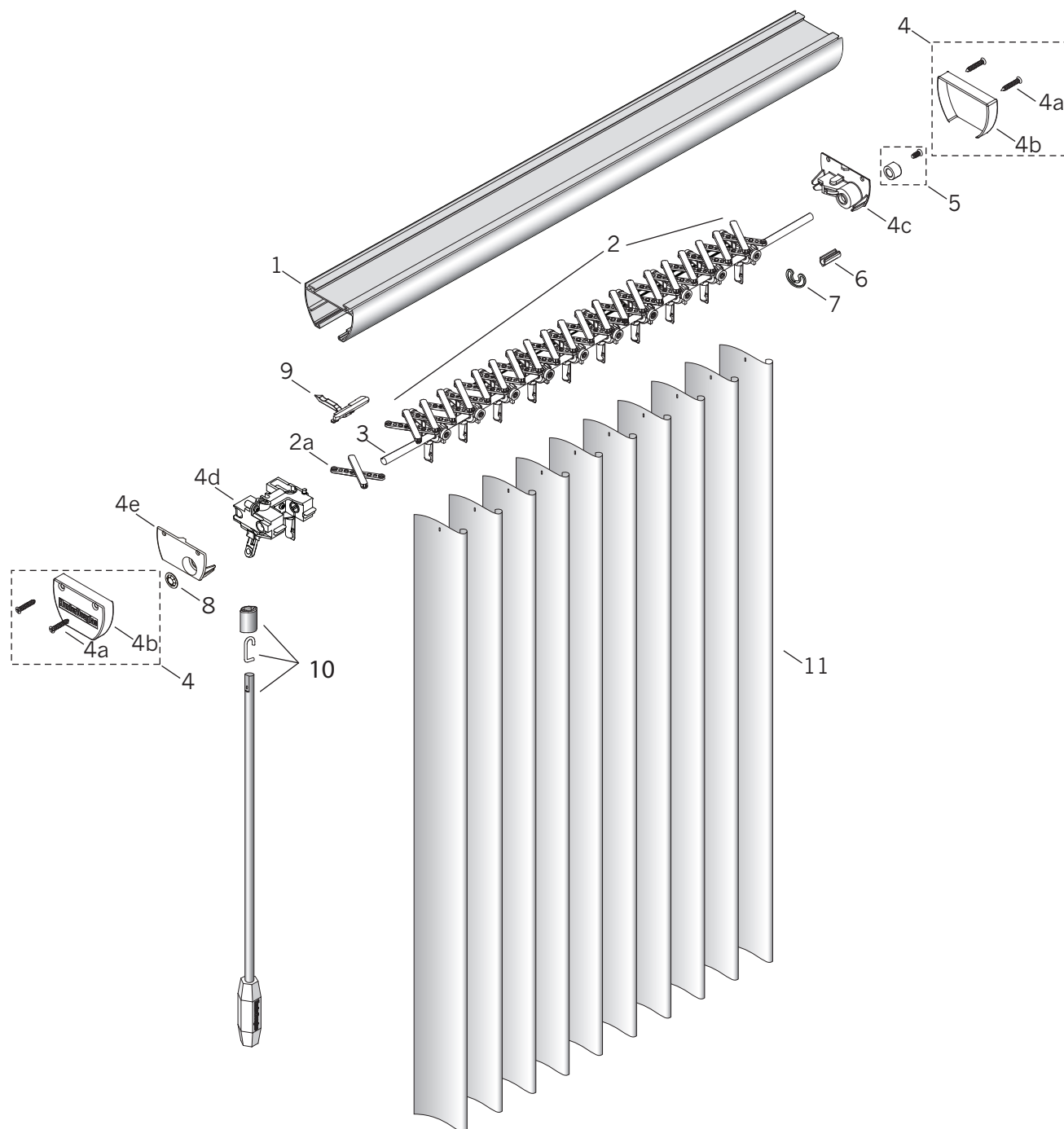


# Paramount® Side Draw Assembly With PermAssure® Moving Wand Control



## Standard Parts

- |                                     |                                |                              |
|-------------------------------------|--------------------------------|------------------------------|
| 1. Standard Channel                 | 4a. End Cap Screws             | 6. 1" Omega Spacer           |
| 2. 3½" Carrier Assembly             | 4b. Paramount Headrail End Cap | 7. Stop C-Clip               |
| 2a. Extra Link Segment              | 4c. Standard Idle End Housing  | 8. Star Fastener             |
| 3. Tilt Rod                         | 4d. Moving Wand Assembly       | 9. Tilt Rod Support Assembly |
| 4. PermAssure® Moving Wand Assembly | 4e. Drive Housing Assembly     | 10. Wand Assembly            |
|                                     | 5. Tilt Rod Retention Assembly | 11. Louvers                  |

## Paramount® Side Draw Assembly With PermAssure® Moving Wand Control

<b>No.</b>	<b>PCN</b>	<b>Description</b>
1.	7799860	Paramount Headrail (16') – Ivory Whisper
2.	7700821	3½" Carrier Assembly
	97822	Spare Plastic Links (Not Shown)
2a.	NA	Extra Link Segment From Assembly Set
3.	97890	Tilt Rod (16')
4.	7708805	PermAssure® Moving Wand Control – Side Draw
4a.	N/A	End Cap Screws
4b.	N/A	Paramount Headrail End Cap
4c.	N/A	Standard Idle End Housing
4d.	N/A	Moving Wand Assembly
4e.	N/A	Drive Housing Assembly
5.	97840	Tilt Rod Retention Assembly
6.	PC0453	1" Omega Spacer
7.	PC0470	Stop C-Clip
8.	7708807	Star Fastener
9.	7700827	Tilt Rod Support Assembly
10.	7704800	38" Wand Assembly – Ivory
	7704801	48" Wand Assembly – Ivory
	IWND0501	60" Wand Assembly – Ivory
11.	N/A	Louvers