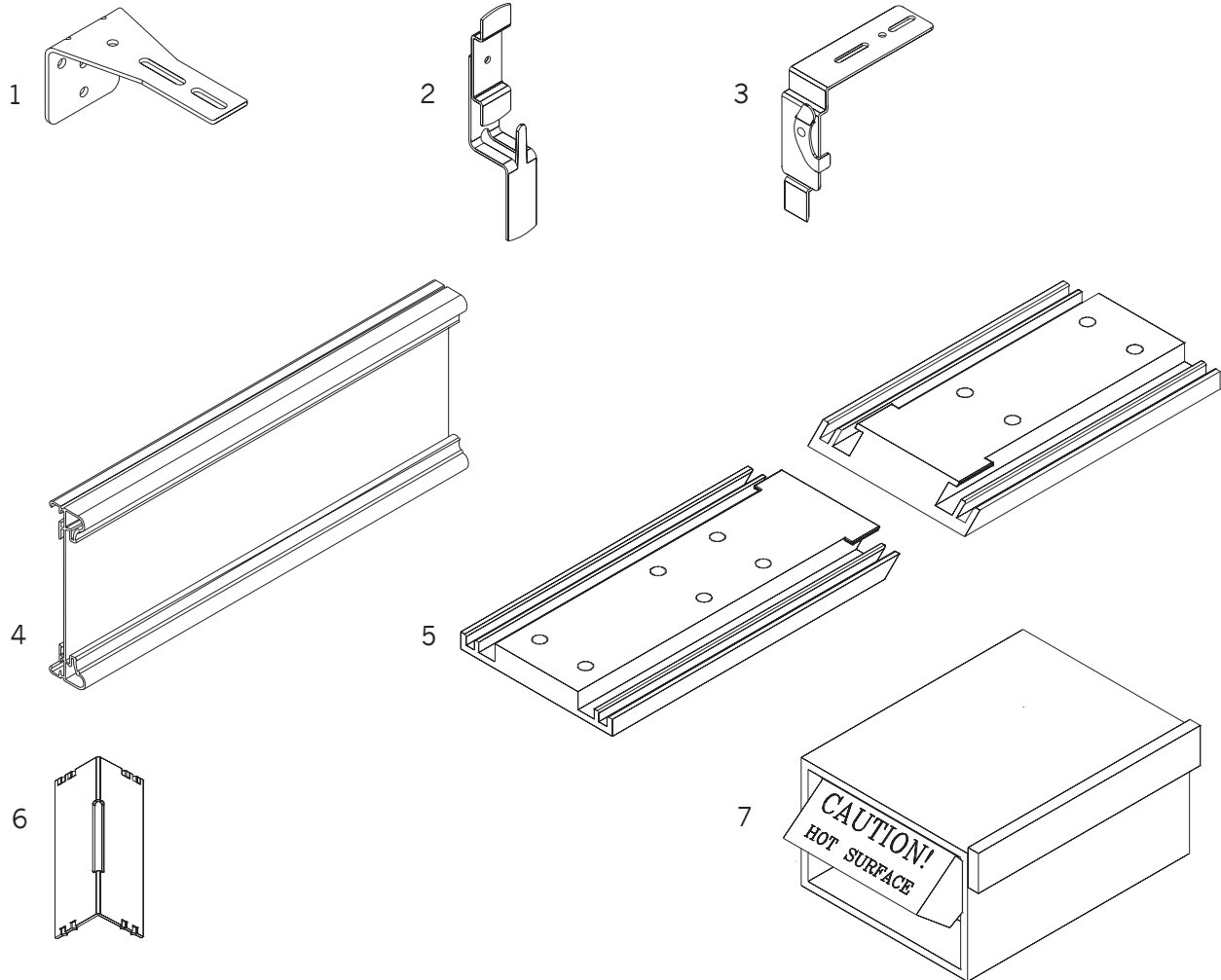


Eccenture® Custom Valance Collection & Accessories



Standard Parts

1. OB Deluxe "L" Bracket w/o Clip
2. Double Valance Mounting Bracket
3. Single Valance Mounting Bracket
4. Valance Accents
5. Fabrication Plate
6. Valance Corner
7. Bending Jig

Eccenture® Custom Valance Collection & Accessories

No.	PCN	Description
1.	7701864	OB Deluxe "L" Bracket w/o Clip (100 Pieces)
2.	7701861	Double Valance Mounting Bracket (100 Pieces)
3.	7701860	Single Valance Mounting Bracket (100 Pieces)
4.	Valance Accents (128 Pieces/Pkg)	
	7703842	Amber
	7701852	Ivory/Antique Gold Accent
	7701854	Natural/Antique Gold Accent
	7703843	Oak
	7703840	Opal
	7703841	Pearl
	7701854	White/Antique Gold Accent
5.	7701863	Fabrication Plate
6.	7702802	Valance Corner (500 Pieces)
7.	7701865	Bending Jig