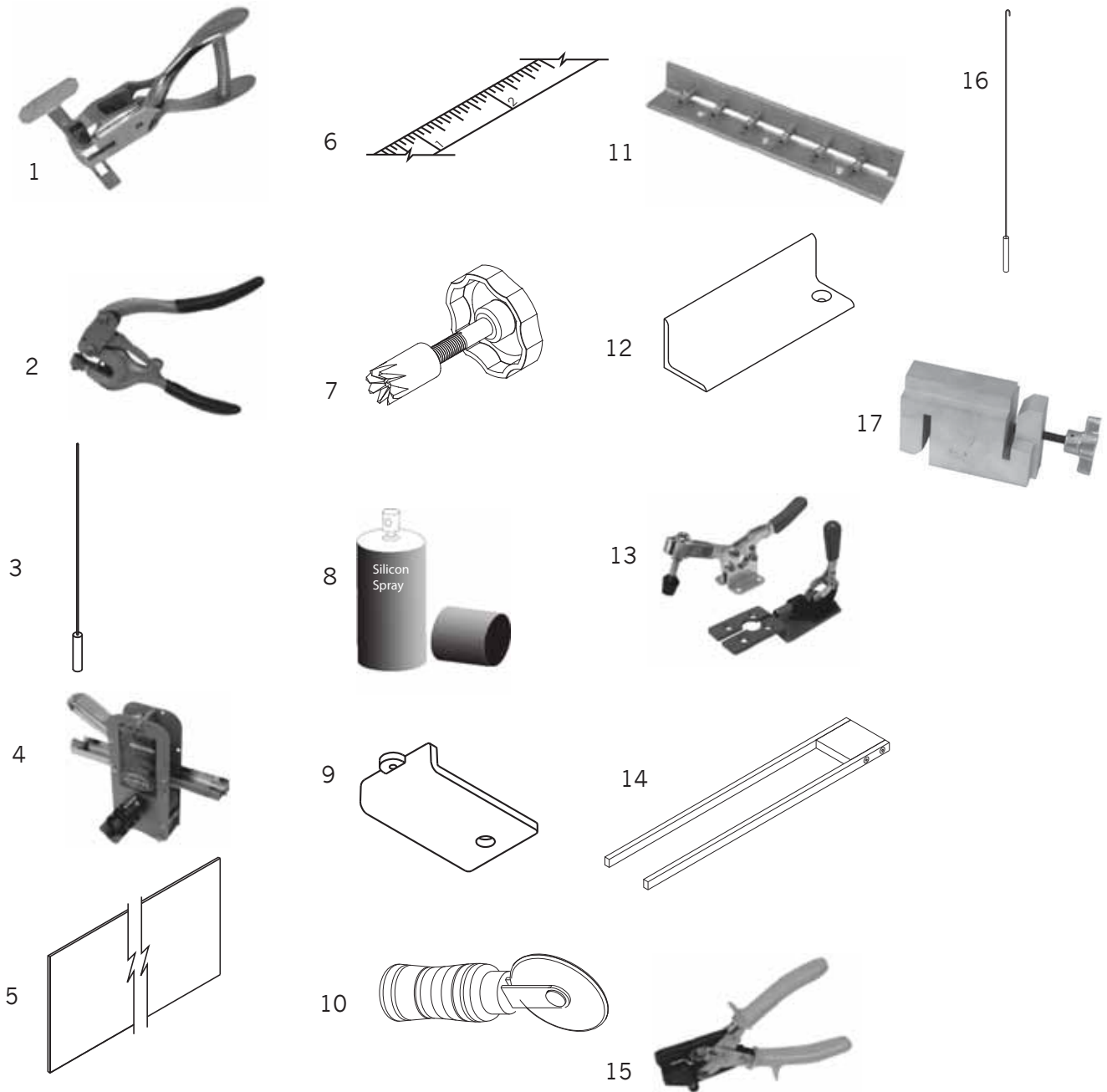


Tools & Accessories



Standard Parts

Paramount®, PermAlign® & PermaTrak®

1. Top Hole Hand Punch
2. Bench Mount Button Hole Punch
3. Bottom Chain Insertion Tool
4. Cord Counter
5. 3½" White Superstik
6. 20 Self-Sticking Measuring Tape

7. Tilt Rod Deburring Tool

8. Silicone Spray

Paramount®

9. Installation Template

10. Cord Insertion Tool

PermAlign® & PermaTrak®

11. Angle Bracket & Track Stop

12. Slide Rail

13. Toggle Clamp/Star Fastener Tool w/Bracket

14. Cord Stringing Tool

15. Stop Block Insert

16. Equal Spacing Hand Held Punch

17. Reversible Cut-Off Block

Tools & Accessories

No.	PCN	Description
Paramount®, PermAlign® & PermaTrak®		
1.	PC0901	Top Hole Hand Punch (1 EA)
2.	PC0903	Bench Mount Button Hole Punch (1 EA)
3.	PC0906	Bottom Chain Insertion Tool (1 EA)
4.	PC0912	Cord Counter (1 EA)
5.	PC0000411	3½" White Superstik (1,000 Pieces)
6.	PC0923	20 Self-Sticking Measuring Tape (1 EA)
7.	96813	Tilt Rod Deburring Tool (1 EA)
8.	7799859	Silicone Spray (20 oz.Can)

Paramount®		
9.	97858	Installation Template (100 Pieces)
10.	98894	Cord Insertion Tool (1 EA)

PermAlign® & PermaTrak®		
11.	PC0910	Angle Bracket & Track Stop (1 EA)
12.	PC0921	12" Slide Rail (1 EA)
13.	96809	Toggle Clamp/Star Fastener Tool w/Bracket (1 EA)
14.	PC0922	Cord Stringing Tool (1 EA)
15.	PC0927	Stop Block Insert (1 EA)
16.	97887	Equal Spacing Hand Held Punch (1 EA)
17.	PC0920	Reversible Cut-Off Block (1 EA)