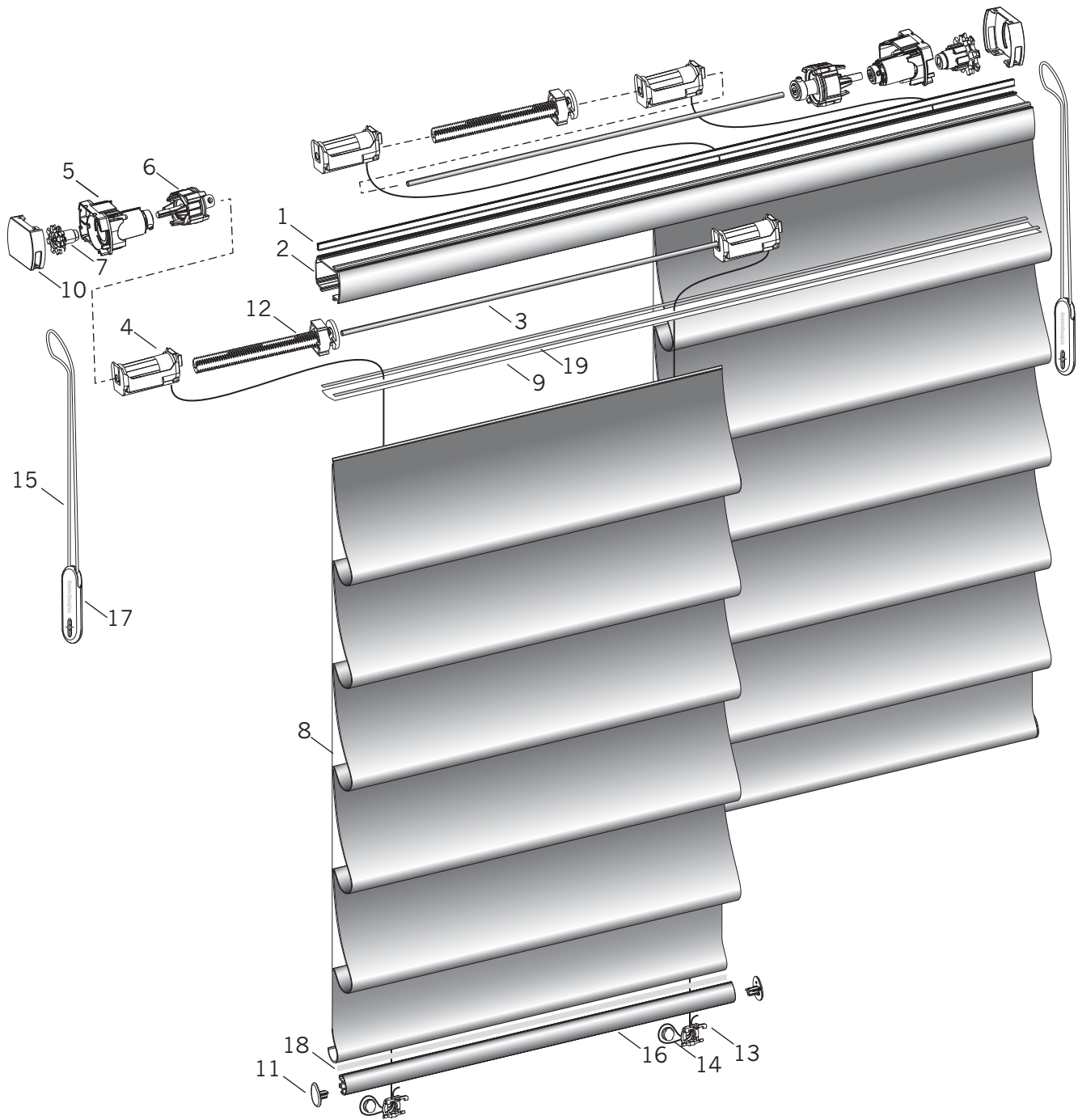


Vignette® Tiered™ EasyRise® Two-On-One



Standard Parts

- | | | |
|--------------------------------------|------------------------------|------------------------------|
| 1. Light Seal, Common Rail (IB Only) | 7. Cord Sprocket EasyRise® | 14. Button, Cam Lock |
| 2. Headrail, Common | 8. Vignette® Fabric | 15. Cord Loop w/Tags |
| 3. V-Shaft Steel, Common | 9. Filler Strip Material | 16. Vignette Bottom Rail |
| 4. Lift Spool Assembly | 10. Clutch Cover | 17. Universal Cord Tensioner |
| 5. Clutch Mount Assembly | 11. Bottom Rail End Cap | 18. Polystrip Assy w/Tape |
| 6. Gear Box 3:1 Ratio | 12. Screw Limit Asm. ER, HEA | 19. Red Tape |
| | 13. Bottom Rail Cord Clip | |

Vignette® Tiered™ EasyRise® Two-On-One

No.	PCN	Description
1.	2780029000	Light Seal, Common Rail (IB Use Only)
2.	2770001785	Headrail Common 3/8" (Fabric Covered Standard)
3.	2770004000	V-Shaft Steel Common
4.	3400552000	Lift Spool and Cord Assembly
5.	Clutch Mount Assembly	
	3400600000	EasyRise® Heavenly Clutch Mount, RH
	3400601000	EasyRise Heavenly Clutch Mount, LH
6.	2780115000	Gear Box 3:1 Ratio
7.	3400144000	Cord Sprocket EasyRise – K35
8.	N/A	Vignette® Fabric
9.	2954000000	1" Filler Strip Material
10.	3401550xxx	Clutch Cover
11.	3400450xxx	Bottom Rail End Cap
12.	3401165000	Screw Limit Asm. ER, HEA
13.	3400469000	Bottom Rail Cord Clip
14.	4150019000	Button, Cam Lock
15.	Cord Loop ^w /Tags	
	4199010xxx	1'
	4199020xxx	2'
	4199030xxx	3'
	4199040xxx	4'
	4199050xxx	5'
	4199060xxx	6'
16.	3400350785	Vignette Bottom Rail
17.	4150336xxx	Universal Cord Tensioner
18.	4150288785	Polystrip Assy ^w /Tape
19.	4150150000	Red tape (Double Sided)

xxx = Color Code