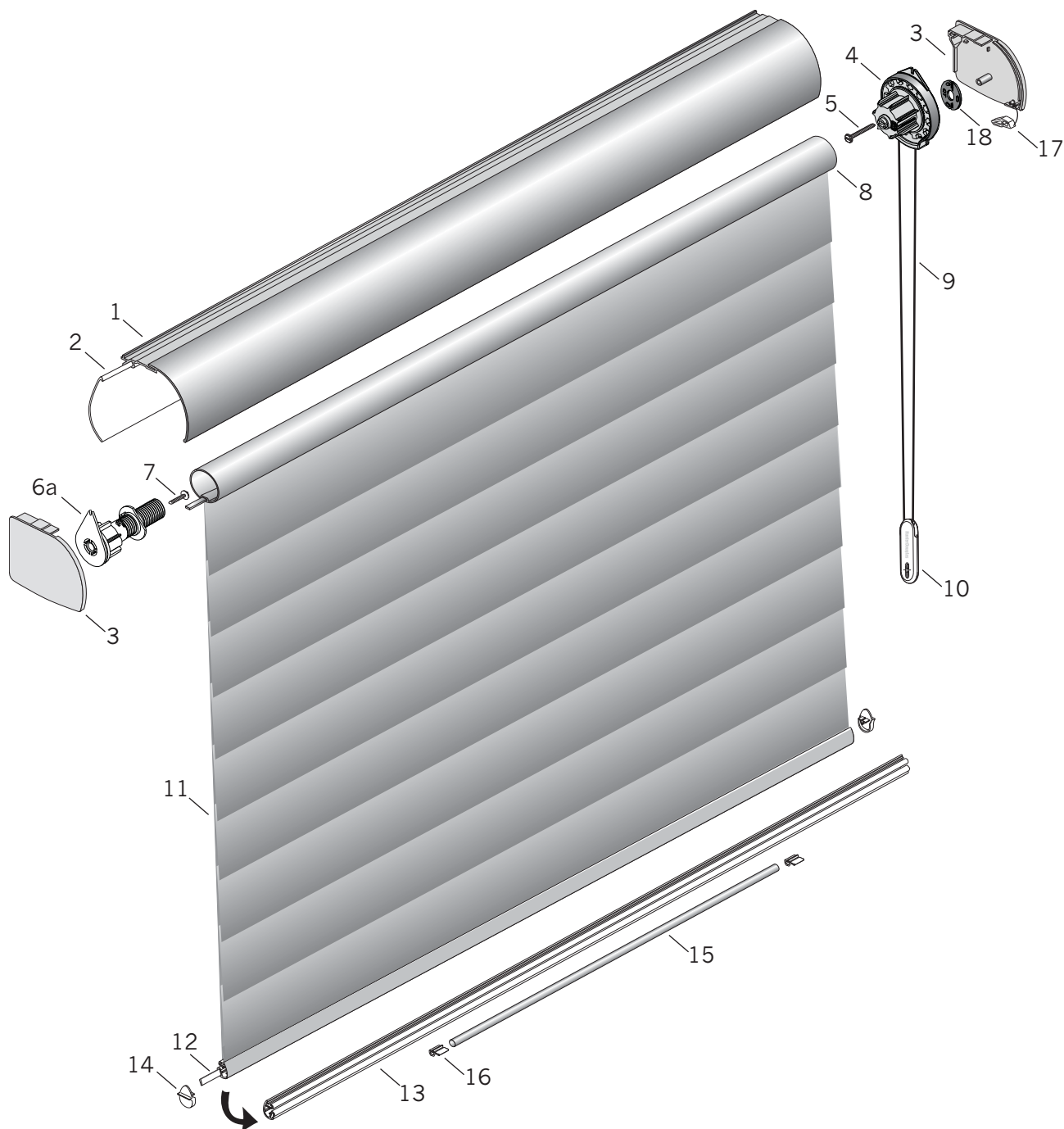


Tailored



Standard Parts

- | | | |
|----------------------------|--|-------------------------------|
| 1. Fabric-Covered Headrail | 7. Screw (Limit Side) | 13. Bottom Rail |
| 2. Fabric Guard | 8. Rotator Rail | 14. Bottom Rail End Cap (Set) |
| 3. Headrail End Caps | 9. Cord Loop | 15. Bottom Rail Weight |
| 4. Clutch | 10. Universal Cord Tensioner | 16. Bottom Rail Weight Clip |
| 5. Screw (Clutch) | 11. Fabric | 17. Snap in Rail Stop |
| 6. Limit Assembly | 12. Poly Rod Assembly ^w /Adhesive | 18. Adapter |

Tailored

No.	PCN	Description
1.	3400010320	Fabric-Covered Headrail
2.	3400320000	Fabric Guard
3.	3400020XXX	Headrail End Cap Set
4.	3400238000	Clutch
5.	4150159000	Screw (Clutch)
6.	3402168000	Vig. Limit Assembly, Right
	3402167000	Vig. Limit Assembly, Left
7.	4150158000	Screw (Limit Side)
8.	3400100xxx	Rotator Rail
9.	Cord Loop	
	3400120000	1'
	3400130xxx	2'
	3400140xxx	3'
	3400150xxx	4'
	3400160xxx	5'
10.	4150042xxx	Universal Cord Tensioner
11.	N/A	Fabric – 6" Flat Fold Size
12.	N/A	Poly Rod Assembly ^w /Adhesive
13.	3400350785	Bottom Rail
14.	3401095xxx	Bottom Rail End Cap (Set) (25 Sets/Carton)
15.	3400210000	Bottom Rail Weight
16.	3400070785	Bottom Rail Weight Clip
17.	3402194000	Snap-In Rail Stop (Only used on shades 30" or less in length)
18.	4140462000	Adapter

xxx = 3-digit color code