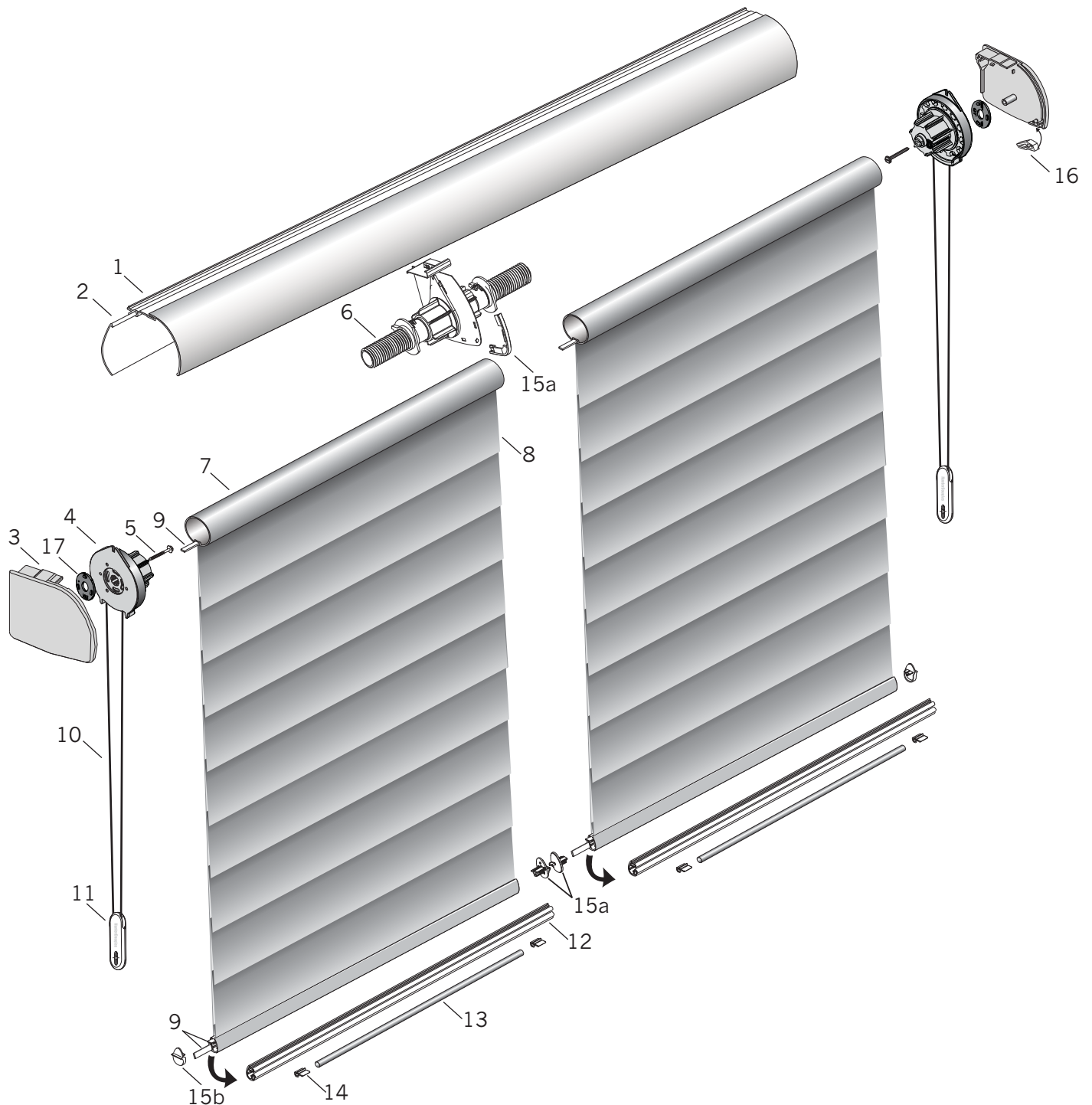


Tailored Two-On-One Headrail



Standard Parts

- | | | |
|----------------------------|---|-------------------------------|
| 1. Fabric-Covered Headrail | 8. Fabric | 15. Bottom Rail End Cap (Set) |
| 2. Fabric Guard | 9. Poly Rod Assembly ^w /Adhesive | 15a. Inside |
| 3. Headrail End Caps | 10. Cord | 15b. Outside |
| 4. Clutch | 11. Universal Cord Tensioner | 16. Rail Stop |
| 5. Screw (Clutch) | 12. Bottom Rail | 17. Adapter |
| 6. Center Support Assembly | 13. Bottom Rail Weight | |
| 7. Rotator Rail | 14. Bottom Rail Weight Clips | |

Tailored Two-On-One Headrail

No.	PCN	Description
1.	3400010320	Fabric-Covered Headrail
2.	3400320000	Fabric Guard
3.	3400020XXX	Headrail End Cap Set
4.	3400238000	Clutch
5.	4150159000	Screw (Clutch)
6.	3402169000	Center Support Assembly
7.	3400100xxx	Rotator Rail
8.	N/A	Fabric – 6" Flat Fold Size
9.	N/A	Poly Rod Assembly ^w /Adhesive
10.	Cord Loop	
	3400120000	1'
	3400130xxx	2'
	3400140xxx	3'
	3400150xxx	4'
	3400160xxx	5'
11.	4150042xxx	Universal Cord Tensioner
12.	3400350785	Bottom Rail
13.	3400210000	Bottom Rail Weight
14.	3400070785	Bottom Rail Weight Clips
15.	Bottom End Caps	
15a.	3401180xxx	End Cap Bottom ^w /Stop Tab (Inside) and Stop Tab (3 Piece Set) (See Note Below)
15b.	3401095XXX	Bottom End Cap (Outside)
16.	3402194000	Snap-In Rail Stop (Only used on shades 30" or less in length)
17.	4140462000	Adapter

NOTE: The Stop Tabs on the center bottom end caps contact the Stop Tab (cover on the front of part #6) when the shade is fully raised. The outer end caps do not have these tabs. The End Cap Bottom ^w/Stop Tab and the Stop Tab come on a three-piece tree.

xxx = 3-digit color code