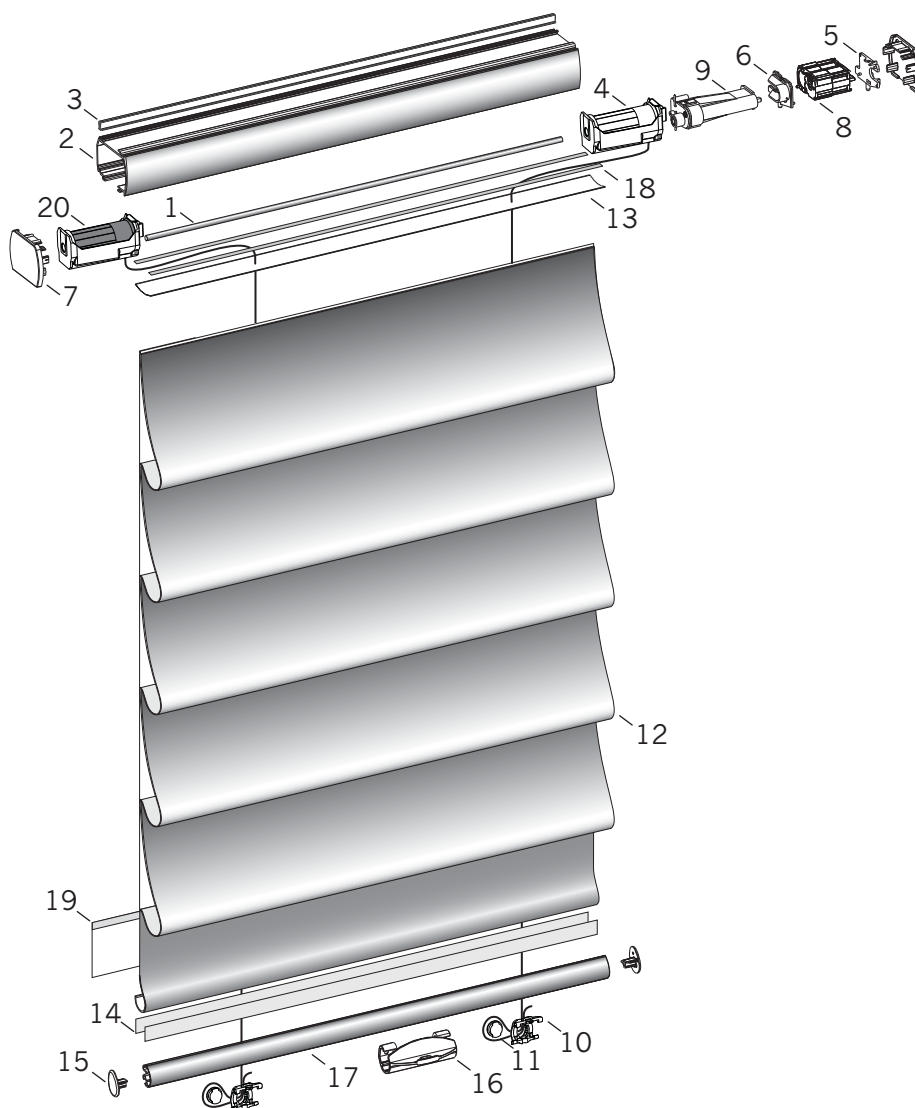


Vignette® Tiered™ LiteRise®



Standard Parts

- | | | |
|--------------------------------------|---------------------------------------|-----------------------------------|
| 1. V-Shaft Steel Common | 8. LiteRise® 1" Motor | 15. Bottom Rail End Cap (Set) |
| 2. Headrail Common 3/8" | 9. Common LiteRise 1" | 16. Handle, Vignette LR |
| 3. Light Seal, Common Rail (IB Only) | Transmission 5:1 | 17. Vignette® Bottom Rail |
| 4. Lift Spool Assembly | 10. Bottom Rail Cord Clips | 18. Red Tape |
| 5. Motor Support | 11. Cam Lock Button | 19. Bottom Slat |
| 6. Transmission Adapter | 12. Fabric | 20. Lift Spool Assembly, Rod Stop |
| 7. Flush End Cap | 13. 3/8" Filler Strip Material | |
| | 14. Polystrip Assy ^W /Tape | |

Vignette® Tiered™ LiteRise®

No.	PCN	Description
1.	2770004000	V-Shaft Steel Common
2.	2770001785	Headrail Common 3/8"
3.	2780029000	Light Seal, Common Rail (IB Use Only)
4.	3400552000	Lift Spool Assembly
5.	2780038000	Motor Support
6.	2780043000	Transmission Adapter
7.	3400466xxx	Flush End Cap
9.	LiteRise® 1" Motor	
	7300109000	Beige
	7300110000	Gray
	7300111000	Black
10.	7300159000	Common LiteRise 1" Transmission 5:1
11.	3400469000	Bottom Rail Cord Clips
12.	4150019000	Cam Lock Button
13.	N/A	Fabric
14.	2954000000	1" Filler Strip Material
15.	4150288785	Polystrip Assy ^w /Tape
16.	3400450xxx	Bottom Rail End Cap
17.	3400456xxx	Handle, Vignette LR
19.	3400350785	Vignette® Bottom Rail
20.	4150150000	Red tape (Double Sided)
21.	Bottom Slat	
	3401350000	3"
	3401360000	4"
22.	3400555000	Lift Spool Assembly, Rod Stop

XXX = Color Code