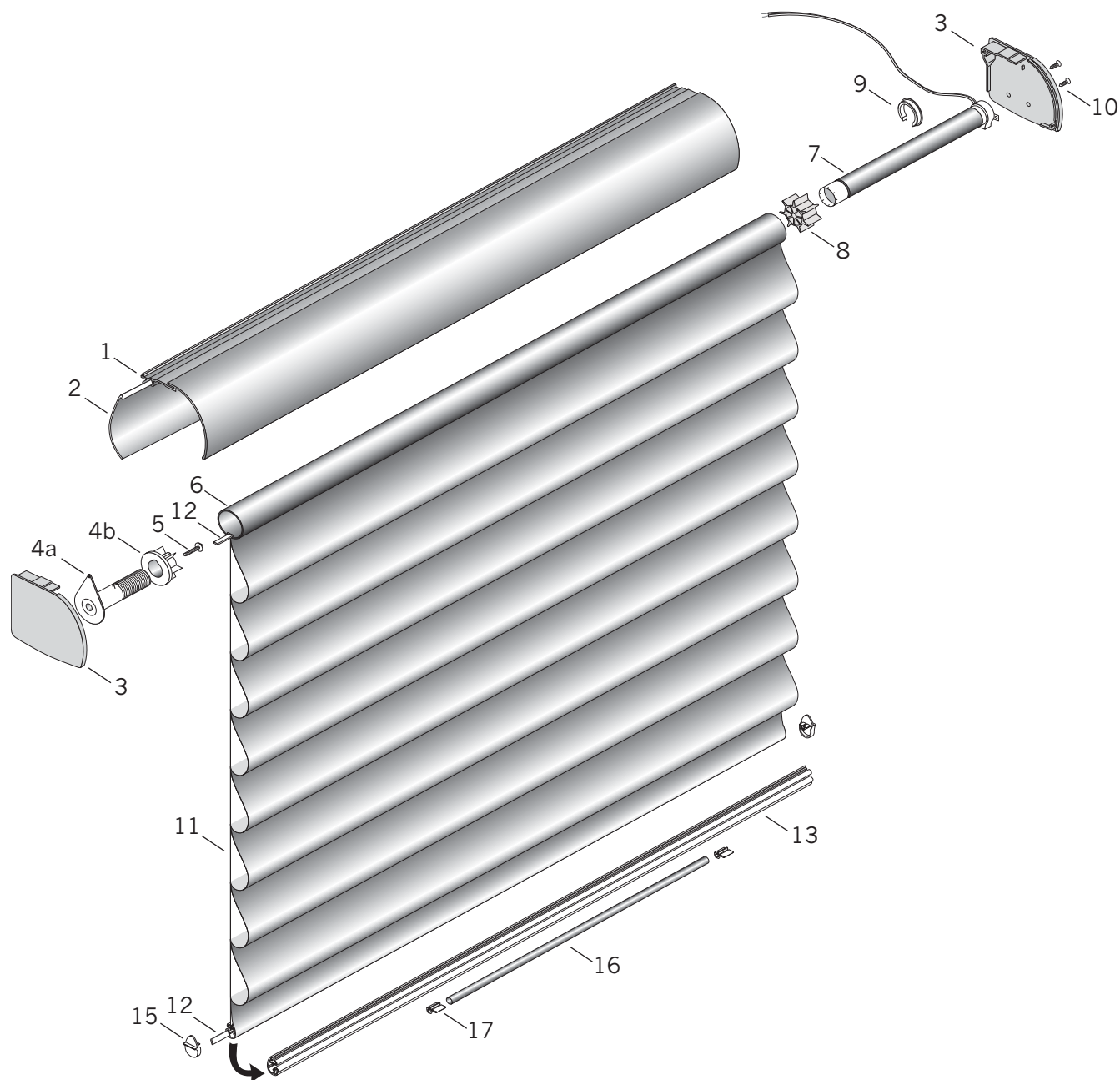


Vignette® Hard-Wired Motorization



Standard Parts

- | | | |
|----------------------------|--|--|
| 1. Fabric-Covered Headrail | 7. 12V DC Motor | 14. Bottom Rail End Cap – Motor Side |
| 2. Fabric Guard | 8. Motor Coupling | 15. Bottom Rail End Cap – Non-Motor Side |
| 3. Headrail End Cap Set | 9. Motor Ring | 16. Bottom Rail Weight |
| 4a. Limit Assembly Screw | 10. Motor Mounting Screws | 17. Bottom Rail Weight Clip |
| 4b. Keyed Rotator | 11. Fabric | |
| 5. Screw (Limit Side) | 12. Poly Rod Assembly ^w /Adhesive | |
| 6. Rotator Rail | 13. Bottom Rail | |

Vignette® Hard-Wired Motorization

No.	PCN	Description
1.	3400010xxx	Fabric-Covered Headrail
2.	3400320000	Fabric Guard
3.	3400020xxx	Headrail End Cap Set
4.	Limit Assembly	
	3402168000	RH
	3402167000	LH
4a.	Limit Assembly Screw	
	N/A	LH (For Right Control)
	N/A	RH (For Left Control)
4b.	N/A	Keyed Rotator
5.	4150158000	Screw, Rotator
6.	3400100xxx	Rotator Rail
7.	4150115000	12V DC Motor
8.	3402075000	Motor Coupling
9.	3400470000	Motor Ring
10.	4150121000	#10 Motor Mounting Screws
11.	N/A	Fabric – 3" or 4" Fold Size (Available In 11 Face Fabrics - with 2 Back Fabric Options)
12.	N/A	Poly Rod Assembly w/Adhesive
13.	3400350785	Bottom Rail
14.	3400360xxx	Bottom Rail End Cap – Motor Side
15.	3400370xxx	Bottom Rail End Cap – Non-Motor Side
16.	3400210000	Bottom Rail Weight
17.	3400070785	Bottom Rail Weight Clip

xxx = 3-digit color code