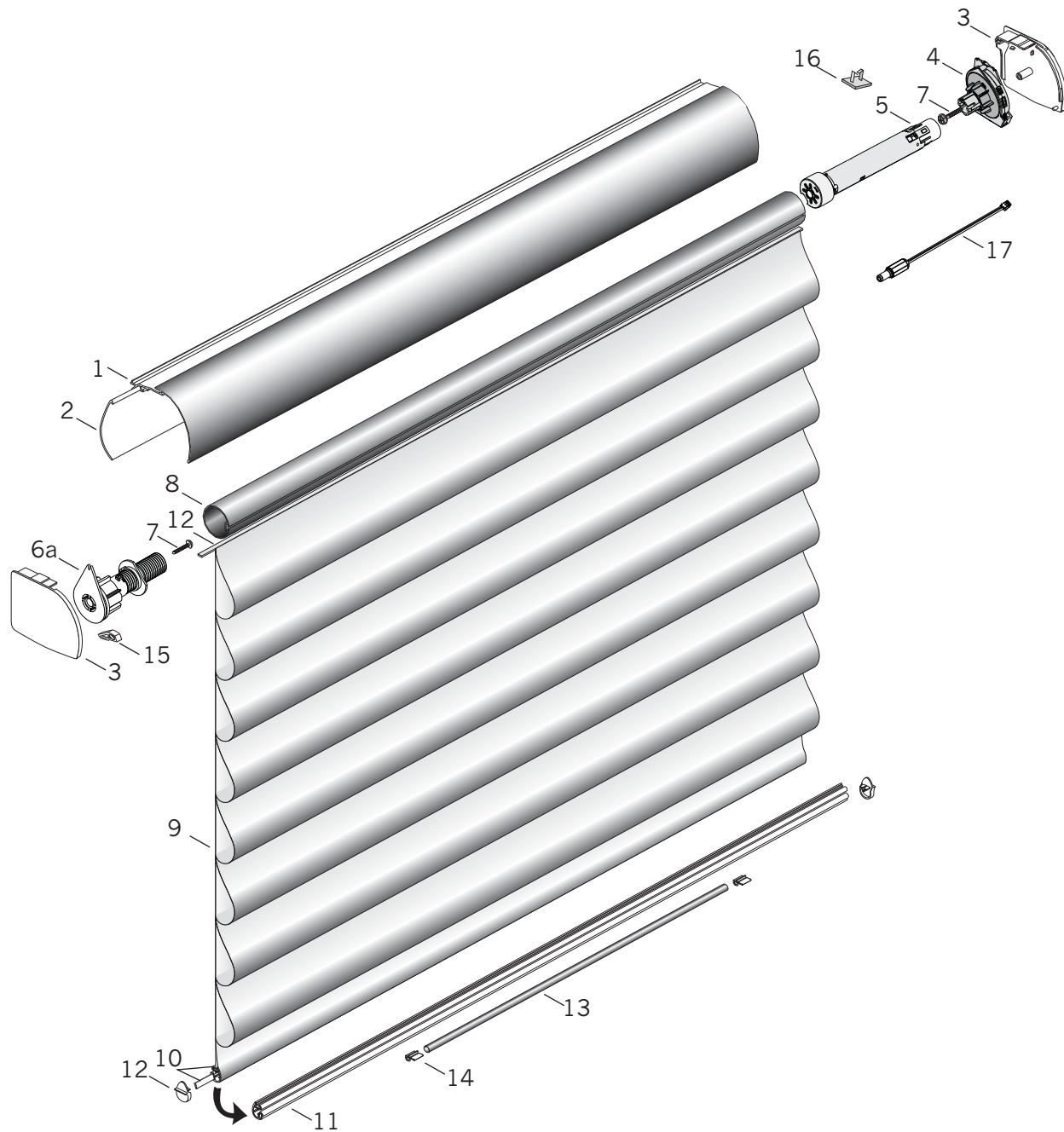


Vignette® PowerRise® 2.0 with Platinum™ Technology



Standard Parts

- | | | |
|----------------------------|----------------------------------|-----------------------------|
| 1. Fabric-Covered Headrail | 7. Screw (Limit Side) | 13. Bottom Rail Weight |
| 2. Fabric Guard | 8. Rotator Rail | 14. Bottom Rail Weight Clip |
| 3. Headrail End Caps | 9. Fabric | 15. Snap-In Rail Stop |
| 4. Cartridge Assembly | 10. Poly Rod Assembly w/Adhesive | 16. Wire Saddle |
| 5. Motor Assembly | 11. Bottom Rail | 17. Battery Adapter Cable |
| 6. LH or RH Limit Assembly | 12. Bottom Rail End Cap Set | |

Vignette® PowerRise® 2.0 with Platinum™ Technology

No.	PCN	Description
1.	3400010320	Fabric-Covered Headrail
2.	3400320000	Fabric Guard
3.	3400020XXX	Headrail End Cap Set
4.	Cartridge Assembly	
	3400112003	VG Cartridge Assy, RH Plat II
	3400114003	VG Cartridge Assy, LH Plat II
5.	3400246000	Motor Assembly
6.	Vignette Limit Assembly	
	3402168000	RH
	3402167000	LH
6a.	Limit Assembly Screw	
	N/A	LH
	N/A	RH
6b.	N/A	Keyed Rotator
6c.	Limit Assembly Nut	
	N/A	LH
	N/A	RH
7.	4150158000	Screw, Rotator
8.	3400272XXX	Rotator Rail
9.	N/A	Fabric – 3", 4" or 6" Fold Size (Available In 12 Face Fabrics - with 2 Back Fabric Options)
10.	N/A	Poly Rod Assembly ^w /Adhesive
11.	3400350785	Bottom Rail
12.	3401095xxx	Bottom Rail End Cap Set
13.	3400210000	Bottom Rail Weight
14.	3400070785	Bottom Rail Weight Clip
15.	3402194000	Snap-In Rail Stop (Limit Side Only)
16.	2981136000	Wire Saddle
17.	2920247000	Battery Power Adapter Cable 18-Volt

xxx = 3-digit color code