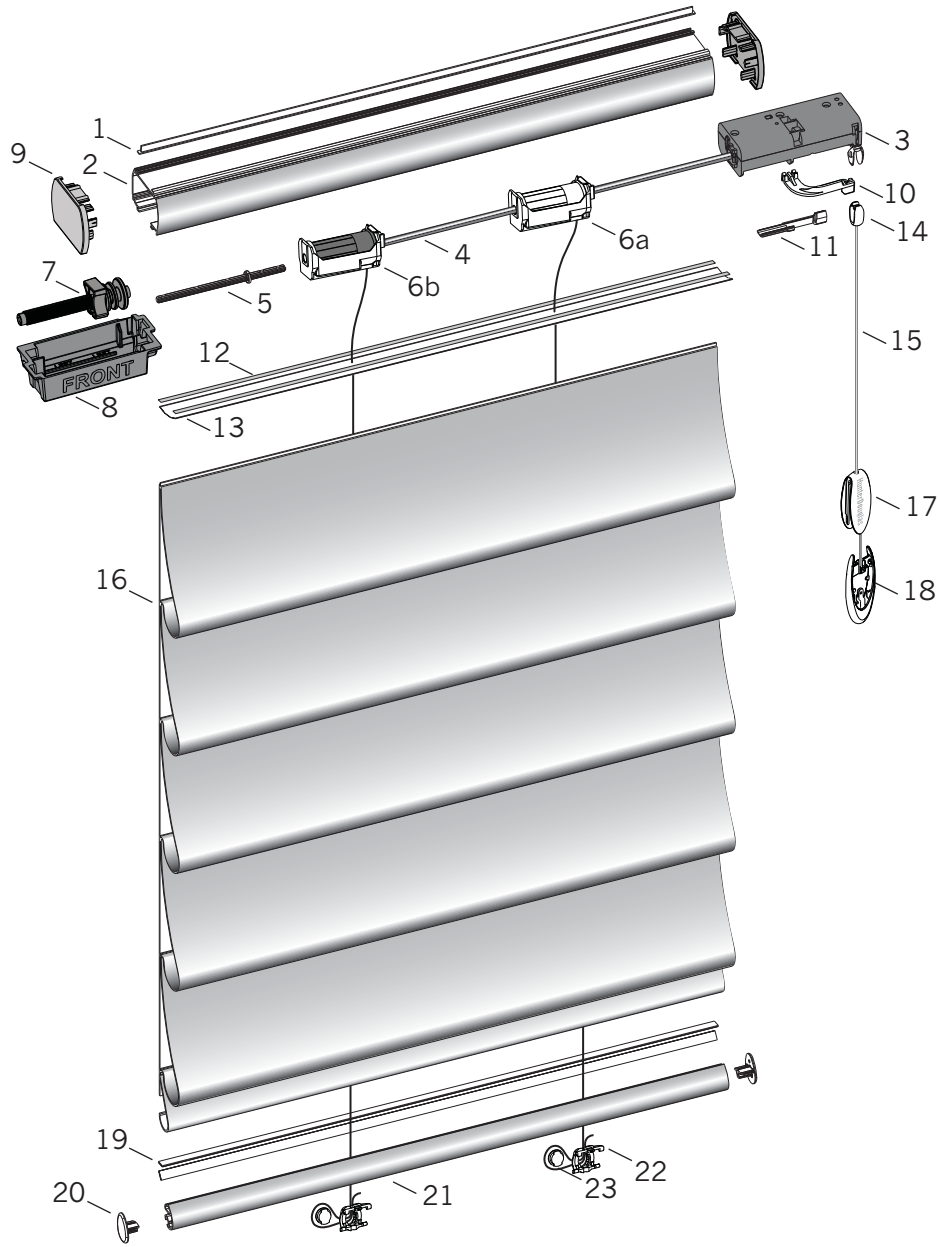


Vignette® Tiered™ UltraGlide® Standard



Standard Parts

- | | | |
|----------------------------------|--------------------------|---------------------------|
| 1. Light Block Strip (IB Only) | 8. Drop Stop Housing | 16. Shade Fabric |
| 2. Headrail Common 3/8" | 9. Flush End Cap | 17. Tassel Cover |
| 3. Pull Cord Assembly | 10. Brake Activator | 18. Tassel Base |
| 4. V-Shaft Steel Common | 11. Shifter Guard | 19. Polystrip Assy w/Tape |
| 5. Coupler Shaft | 12. Red Tape | 20. Bottom Rail End Cap |
| 6a. Lift Spool Assembly | 13. 1" Filler Strip | 21. Bottom Rail |
| 6b. Lift Spool Assembly Rod Stop | 14. Lower Cord Connector | 22. Bottom Rail Cord Clip |
| 7. Drop Stop Assembly LH | 15. Tassel Cord | 23. Cam Lock Button |

Vignette® Tiered™ UltraGlide® Standard

No.	PCN	Description
1.	2780029000	Light Seal, Common Rail (IB Use Only)
2.	2770001785	Headrail Common 3/8"
3.	Pull Cord Assembly	
	2780064000	RH
	2780065000	LH
	4154738000	Cord Connector, Upper (comes attached to the above two clutch assemblies)
4.	2770004000	V-Shaft Steel Common
5.	3406030000	Coupler Shaft TD-Vignette
6.	Lift Spool Assembly	
6a.	3400552000	Through Hole
6b.	3400555000	Rod Stop
7.	Drop Stop Assembly	
	2920707000	LH
	2780121000	RH
8.	2780135000	Housing, Drop Stop
9.	3400466xxx	Flush End Cap
10.	Brake Activator, 3/8"	
	2780077000	RH
	2780078000	LH
11.	Shifter Guard, VIG-TD-UG	
	3406040000	RH
	3406050000	LH
12.	4150150000	Red tape (Double Sided)
13.	2954000000	1" Filler Strip
14.	4154739000	Lower Cord Connector
15.	2930320xxx	Tassel Cord
16.	N/A	Fabric
17.	2931556xxx	Designer Tassel Cover
18.	2931555000	Designer Tassel Base
19.	4150288785	Polystrip Assy ^w /Tape
20.	3400450xxx	Bottom Rail End Cap
21.	3400350785	Vignette® Bottom Rail
22.	3400469000	Bottom Rail Cord Clip
23.	4150019000	Button, Cam Lock

xxx = Color Code