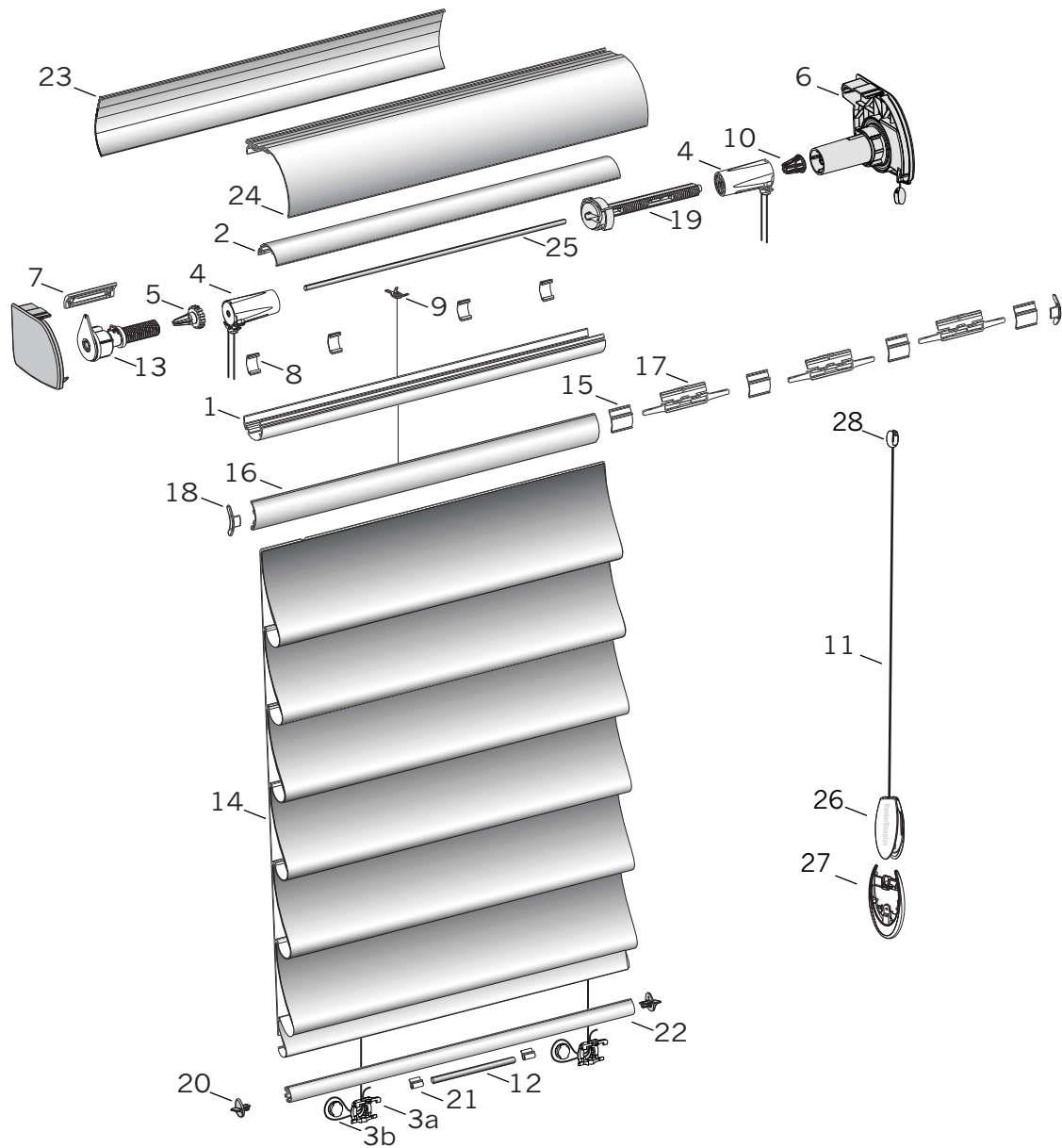


Vignette® UltraGlide® Top Down-Bottom Up



Standard Parts

- | | | |
|-------------------------------|--------------------------|-----------------------------|
| 1. Rotator Rail - Bottom Half | 10. Clutch Coupling | 20. Bottom Rail End Cap Set |
| 2. Rotator Rail - Upper Half | 11. Drop Cord | 21. Weight Clip |
| 3a. Bottom Rail Cord Clip | 12. Bottom Rail Weight | 22. Bottom Rail |
| 3b. Button, cam lock | 13. Limit Screw Assembly | 23. Fabric Guard |
| 4. Spool Housing | 14. Stackable Fabric | 24. Headrail |
| 5. Kicker Wheel | 15. Back Cover | 25. Steel Drive Shaft |
| 6. Clutch Assembly | 16. Mid Rail | 26. Tassel Cover |
| 7. Kicker Blade | 17. Cord Clip | 27. Tassel Base |
| 8. Spring Clip | 18. Mid Rail End Cap | 28. Lower Cord Connector |
| 9. Cord Bushing | 19. Stop Limit Travel | |

Vignette® UltraGlide® Top Down-Bottom Up

No.	PCN	Description
1.	3401014xxx	Rotator Rail - Bottom Half
2.	3401015xxx	Rotator Rail - Upper Half
3.		Bottom Rail Cord Attachment
3a.	3400469000	Bottom Rail Cord Clip
3b.	4150019000	Button, cam lock
4.	3402340000	Spool Assembly
5.	3402320000	Kicker Wheel
6.		Clutch Assembly (this assembly must be assembled with the clutch housing and the rotator bearing)
	3405204xxx	Clutch Assy RH
	3405205xxx	Clutch Assy LH (not shown)
	3400168000	Clutch housing TDBU UG
	3401120000	Rotator Bearing TDBU UG
7.	3401036000	Kicker Blade
8.	3401039000	Spring Clip
9.	3401040000	Cord Bushing
10.	3402310000	Clutch Coupling
11.	2930320xxx	Drop Cord 2.2 mm, D-20 (Colored)
12.	4600000070	Bottom Rail Weight
13.		Limit Screw Assembly
	3401049000	LH
	3401058000	RH
14.	N/A	Fabric
15.	3401094000	Back Cover
16.	3401054000	Mid Rail
17.	3401055000	Cord Clip
18.	3401056xxx	Mid Rail End Cap
19.	3401260000	Limit Travel Assembly
20.	3401095xxx	Bottom Rail End Cap Set
21.	3400070785	Weight Clip
22.	3400350785	Bottom Rail
23.	3400320000	Fabric Guard
24.	3400010320	Headrail
25.	2770004000	Steel Drive Shaft
26.	2931556xxx	Designer Tassel Cover
27.	2931555000	Designer Tassel Base
28.	4154739000	Lower Cord Connector

xxx = 3-digit color code