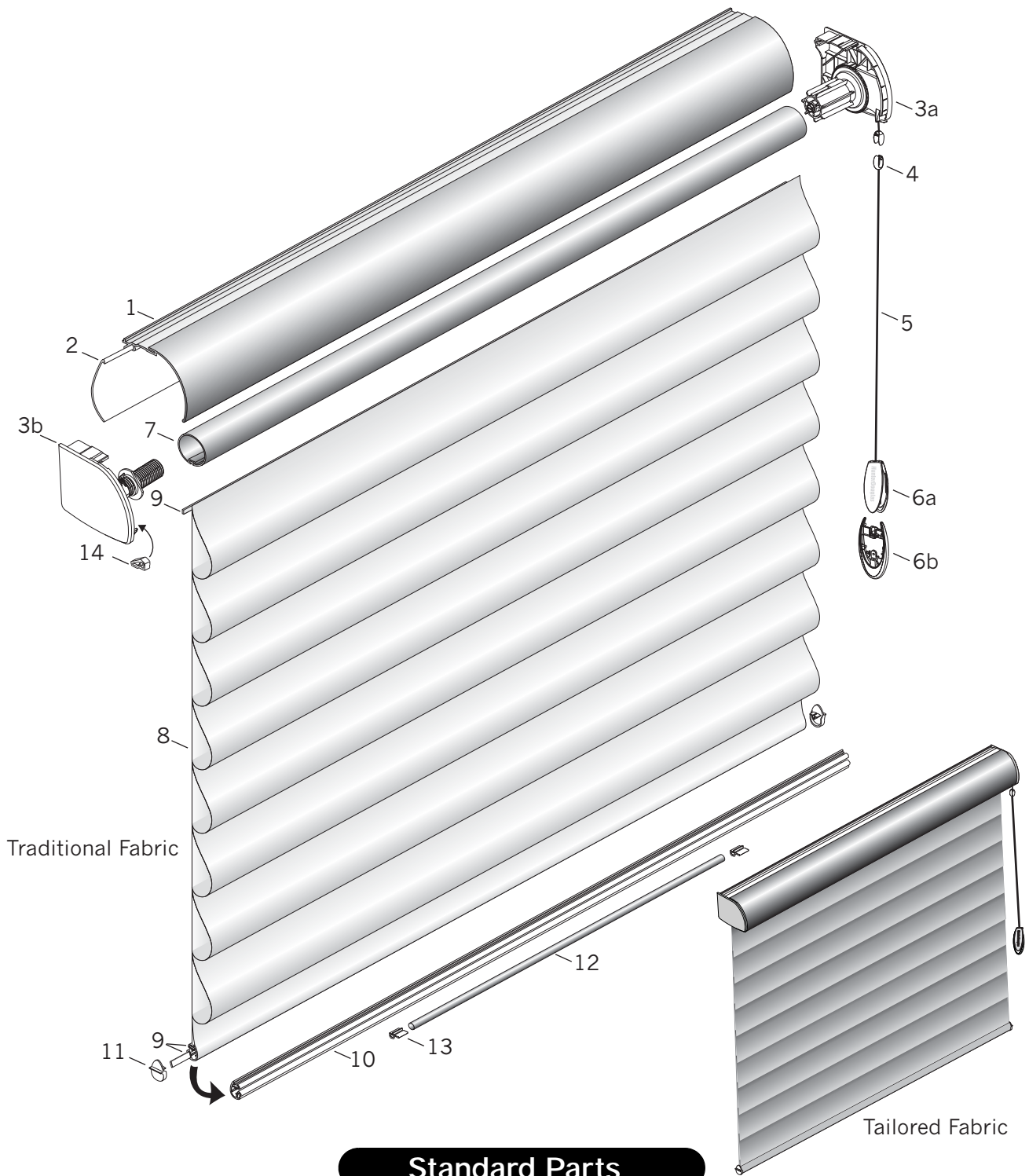


Vignette® with UltraGlide®



Standard Parts

- | | | |
|---------------------------------|---------------------------------|-----------------------------|
| 1. Fabric-Covered Headrail | 5. Drop Cord | 10. Bottom Rail |
| 2. Fabric Guard | 6a. Tassel Cover | 11. Bottom Rail End Cap Set |
| 3. Clutch Assembly | 6b. Tassel Base | 12. Bottom Rail Weight |
| 3a. Clutch with End Cap | 7. Rotator Rail | 13. Bottom Rail Weight Clip |
| 3b. Limit Assembly with End Cap | 8. Fabric | 14. Snap-In Rail Stop |
| 4. Lower Cord Connector | 9. Poly Rod Assembly w/Adhesive | |

Vignette® with UltraGlide®

No.	PCN	Description
1.	3400010320	Fabric-Covered Headrail
2.	3400320000	Fabric Guard
3.	Clutch Assembly Set	
	3405204xxx	RH
	3405205xxx	LH
	4154738000	Cord Connector, Upper (comes attached to the above two clutch assemblies)
3a.	N/A	Clutch with End Cap
3b.	N/A	Limit Assembly with End Cap
4.	4154739000	Lower Cord Connector
5.	Drop Cord	
	2930320xxx	2.2 mm, D-20 (Colored)
	2930320000	2.2 mm, D-20 (Natural)
6.	Tassel	
6a	2931556xxx	Designer Tassel Cover
6b.	2931555000	Designer Tassel Base
7.	3400100xxx	Rotator Rail
8.	N/A	Fabric – 3" or 4" Fold Size
9.	N/A	Poly Rod Assembly ^w /Adhesive
10.	3400350785	Bottom Rail
11.	3401095xxx	Bottom Rail End Cap Set
12.	3400210000	Bottom Rail Weight
13.	3400070785	Bottom Rail Weight Clip
14.	3402194xxx	Snap-In Rail Stop (Only used on shades 30" or less in length)

xxx = 3-digit color code