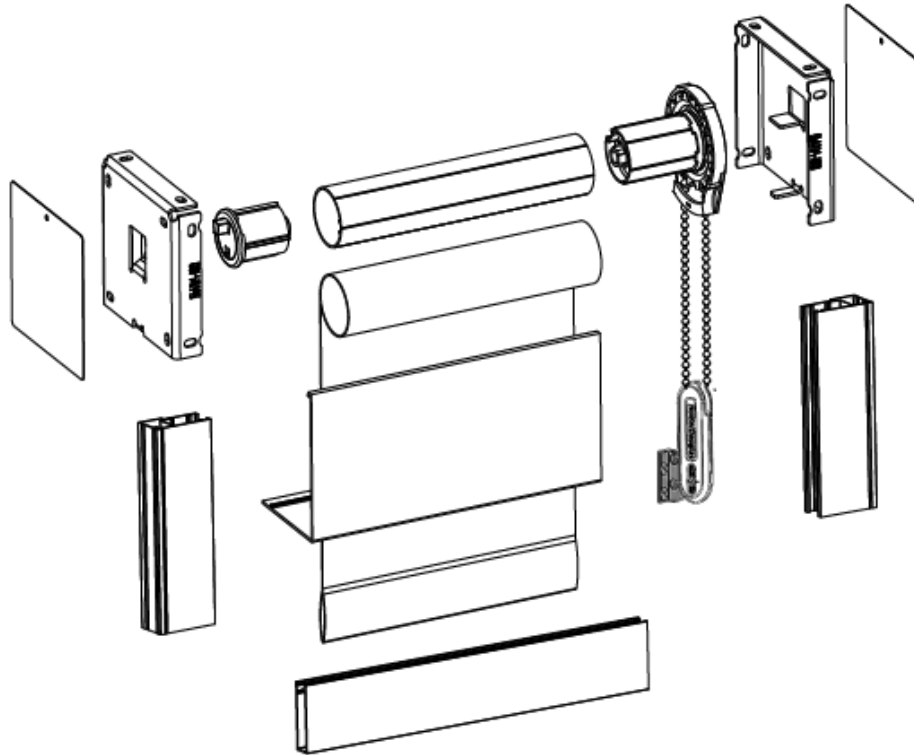


Blackout Instructions

4" R-Series Fascia Installation – Inside Mount





Components Needed _____ *page 3*

Tools Needed _____ *page 4*

System Diagram _____ *page 5*

Instructions

Step 1: Install Brackets. _____ **Page 6**

Step 2: Mount Back Side Channels _____ **Page 6**

Step 3: Install Shade _____ **Page 7**

Step 4: Install Front Side Channels _____ **Page 8**

Step 5: Install Bottom Channel _____ **Page 9**




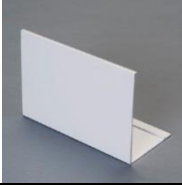


Step 6: Attach Fascia _____ **Page 10**

Step 7: Install Tension Device _____ **Page 11**

Completed Shade _____ **Page 11**

Blackout Instructions

4" R-Series Fascia Installation Instructions

Quantity	Description	Image
1	Roller shade assembled to tube with clutch and idler inserted.	
2	4" R-Series Fascia Brackets	
2	End Plates	
1	4" Fascia	
2	Front & Back Side Channels	
1	Bottom Channel	

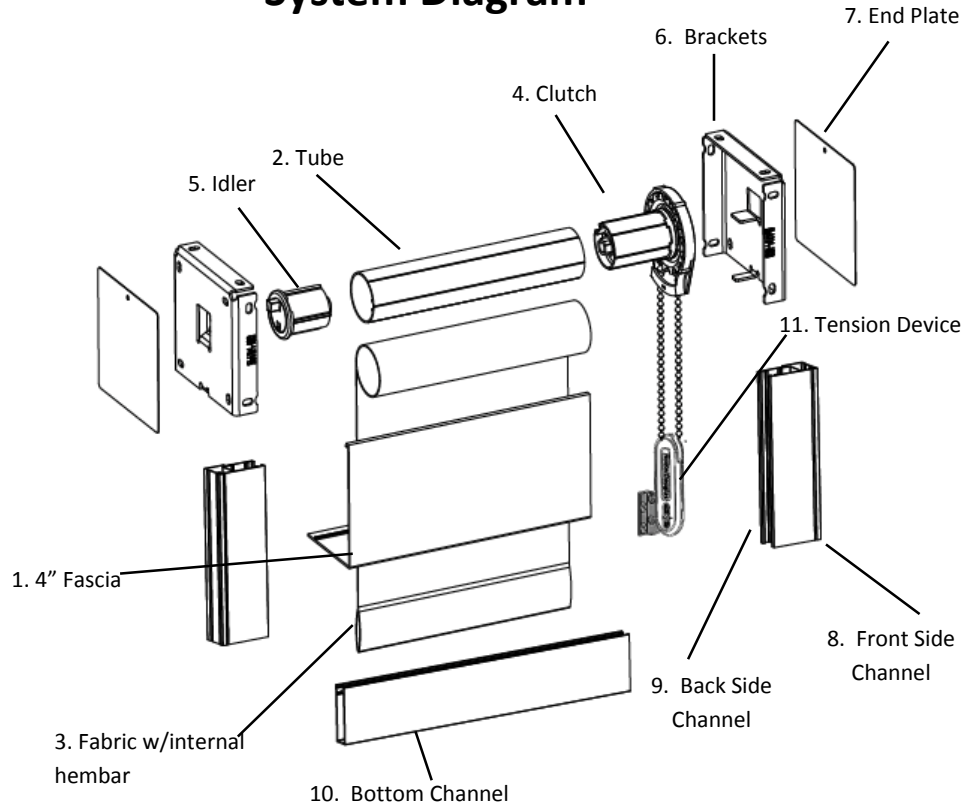
Blackout Instructions

4" R-Series Fascia Installation Instructions

Tools Needed

Screwdriver/Power Drill
1/16" Metal Drill Bit
Screws
Hammer/Mallet
Measuring Tape
Level
Ladder
Chisel
Center Punch
Eye Protection
Gloves

System Diagram



1	4" Fascia
2	Tube
3	Fabric with internal Hembar
4	Clutch
5	Idler
6	4" R-Series Fascia Brackets
7	4" Fascia End Plates
8	Front Side Channel
9	Back Side Channel
10	Bottom Channel
11	Tension Device

Blackout Instructions

4" R-Series Fascia Installation Inside Mount

Step 1: Install Brackets

1a. Mount brackets in desired location using appropriate mounting screws



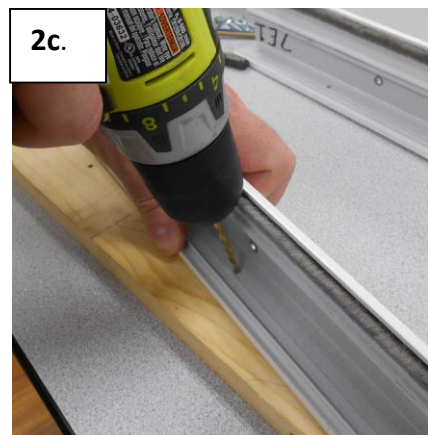
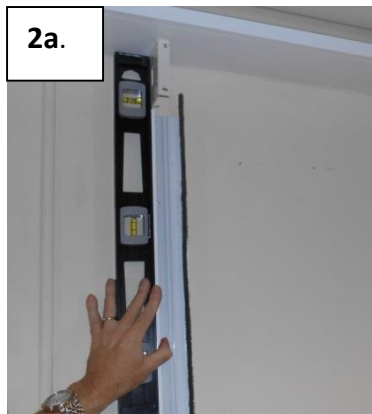
Step 2: Mount Back Side Channels (follow steps for right and left back side channels)

2a. Decide where to drill holes. Align Back channel under corner of Fascia Bracket so that the side of the back channel is flush with the bracket.

2b. Mark mounting screw hole locations with a center punch

2c. Pre-drill holes in the side of channels using 1/16" metal drill bit

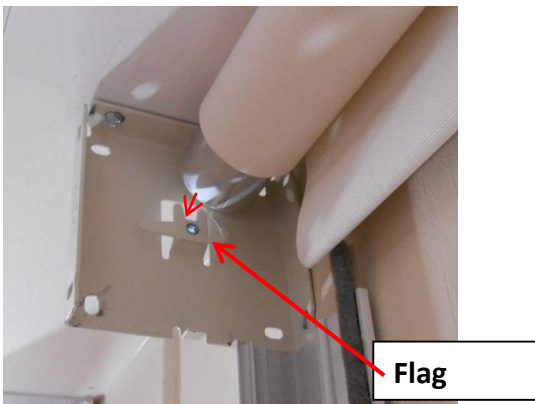
2d. Re-align the back channel and mount with the correct mounting screws



Step 3: Install Shade

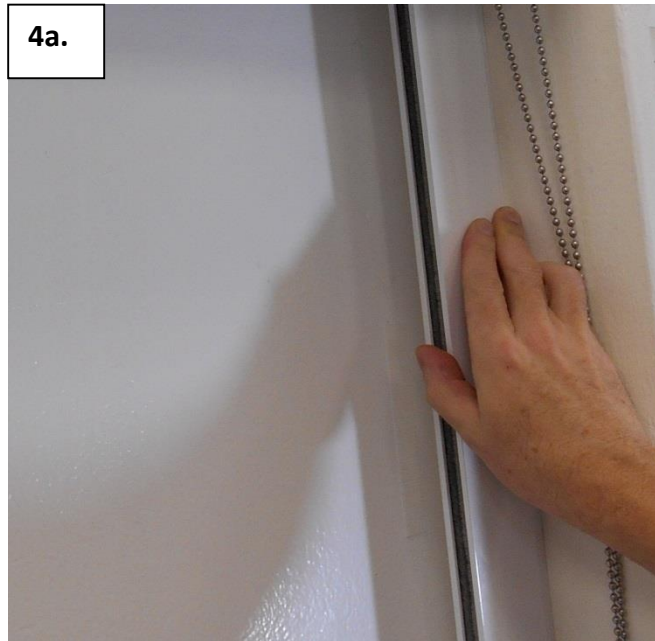
4a. Insert Clutch side first by placing the hole in the middle of the core of the clutch into the tab on the middle of the bracket.

4b. Insert Idler by pulling shade up and around the flag on the middle of the idler end bracket (keeping the flag open), then insert the tab on the idler in the bracket (be sure to close flag using lever)



Step 4: Install Front Side Channel

5a. Snap front side channel by engaging lip of front side channel into the groove on the back side channel. Snap other side of front channel into place



Engage lip into groove



Snap into place



Step 5: Install Bottom Channel

5a. Place left side of bottom channel between the front and back side channels

5b. Slide the right side down in between the front and back side channels until the bottom closure is sitting on the window sill

5c. Mount bottom channel to window sill using correct mounting screws.



Step 6: Attach Fascia

6a. Engage the groove on the top of the fascia with the corner of the bracket (as shown).

6b. Once it is engaged, lower fascia and push until you feel a click and the groove in the bottom of the fascia clips into the bottom of the bracket.

Must leave about 1/8" clearance when installing the brackets to allow fascia groove to attach to the bracket



Step 8: Install Tension Device



Installed Shade



