

// Product Components Guide



ALTA
WINDOW FASHIONS
design simplified

ALUMINUM BLINDS

REVISED 3/1/23

SUMMARY OF REVISIONS

3/1/23 Revisions:

- Removed 1" Traditional Blind

Page 3 Updated Wand Tilter PCN

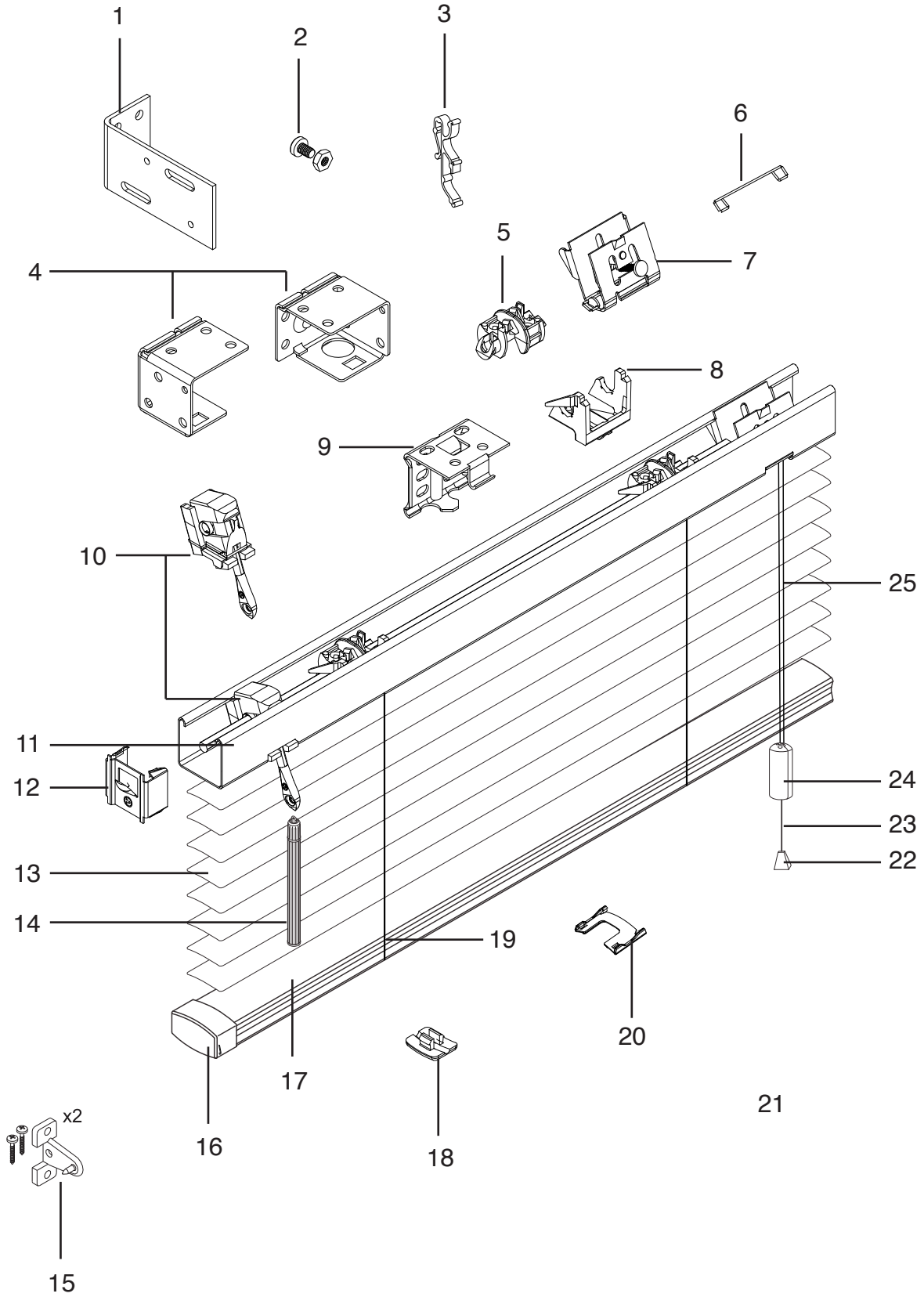
Page 5 Updated Wand Tilter PCN

TABLE OF CONTENTS

Product Specifications

- Product Components - 1" Value/Basic Blind 2-3
- Product Components - 1" Deluxe Blind 4-5
- Product Components - All 1" Cordless Lift & Lock™ 6-7
- Product Components - 2" Macro Blind 8-9
- Product Components - 2" Macro With Cordless Lift & Lock™ 10-11

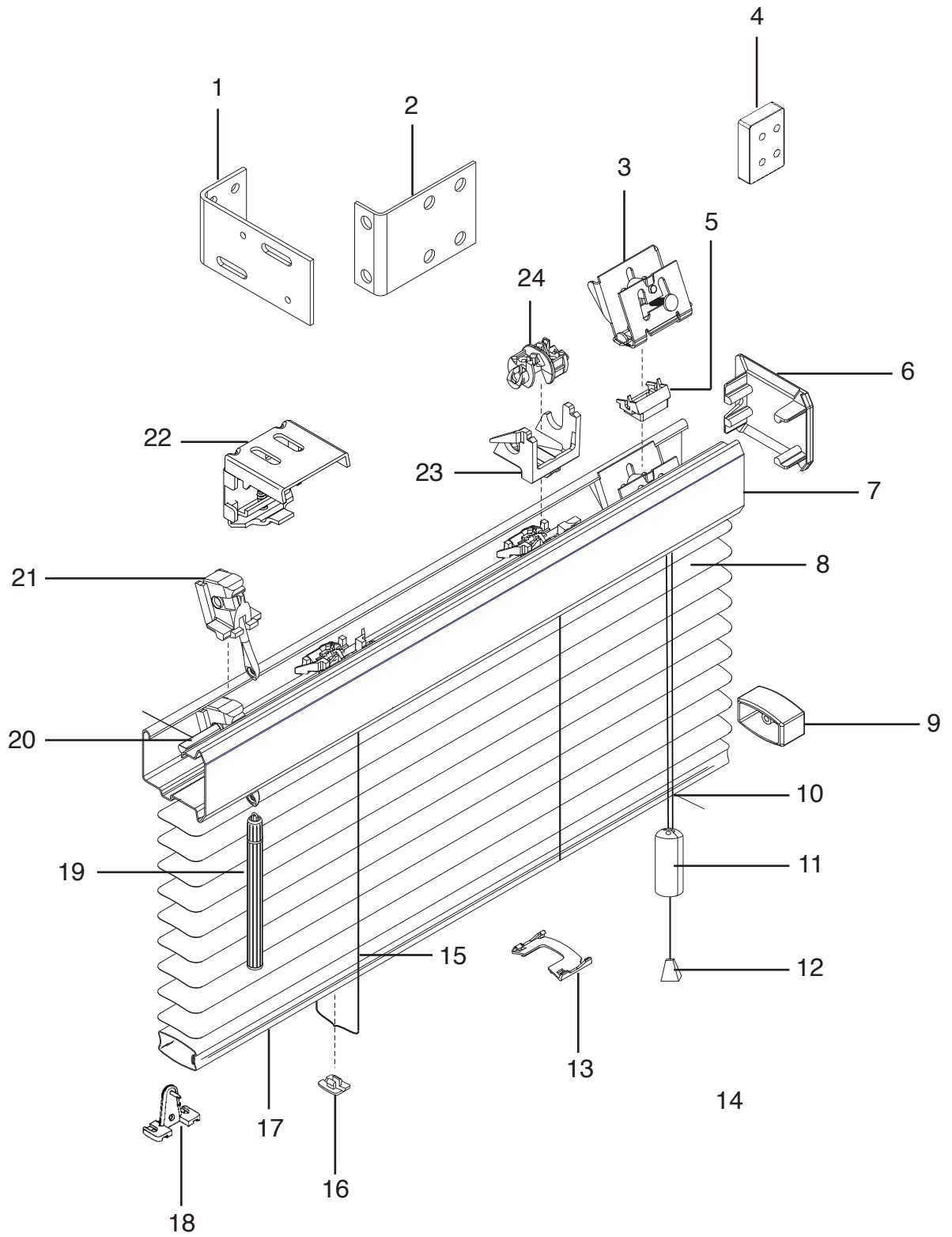
PRODUCT COMPONENTS – 1" VALUE/BASIC BLIND



PRODUCT COMPONENTS – 1" VALUE/BASIC BLIND

1. Extension Bracket
Long Part #KIT1313
Short Part #KIT1309
2. Extension Bracket Screw and Nut
3. Valance Clip
Part #KIT1009 (2PK)
Part #KIT1010 (3PK)
4. Box Installation Bracket (Part #5008037-COLOR)
5. Tape Roll (Part #5908570000)
6. Separator Snap-In (Part #5008065000)
7. Cordlock Snap-In (Part #5008564000)
8. Tape Roll Support (Part #5908573000)
9. Intermediate Support Bracket (Part #KIT1016)
10. Wand Tilter (Part #1023451)
11. Headrail (Part #5008006-COLOR)
12. End Lock (Part #5008542000)
13. Slat
14. Clear Wands
12": Part #5008508000
20": Part #5008501000
30": Part #5008502000
40": Part #5008503000
50": Part #5008504000
60": Part #5008505000
70": Part #5008570000
78": Part #5008578000
90": Part #5008506000
120": Part #5008507000
15. Hold-Down Bracket
Sill (Part #KIT2010)
Jamb (Part #KIT2009)
16. Bottom Rail End Cap (Part #5009033-COLOR)
17. Bottom Rail (Part #5009029-COLOR)
18. Tape Button (Part #5009035-COLOR)
19. Ladder
20. Tape Spacer (Part #5008036000)
21. Not Shown:
Installation Screw (#6 x 1.5) (Part #KIT1029)
Child Safety Kit (Part #KIT2728)
22. Tassel (Part #2930770000)
23. Lift Cord (Part #5009075-COLOR)
24. Cord Connector (Part #7007736-COLOR)
25. Lift Cord 1.4mm (Part #5009075-COLOR)

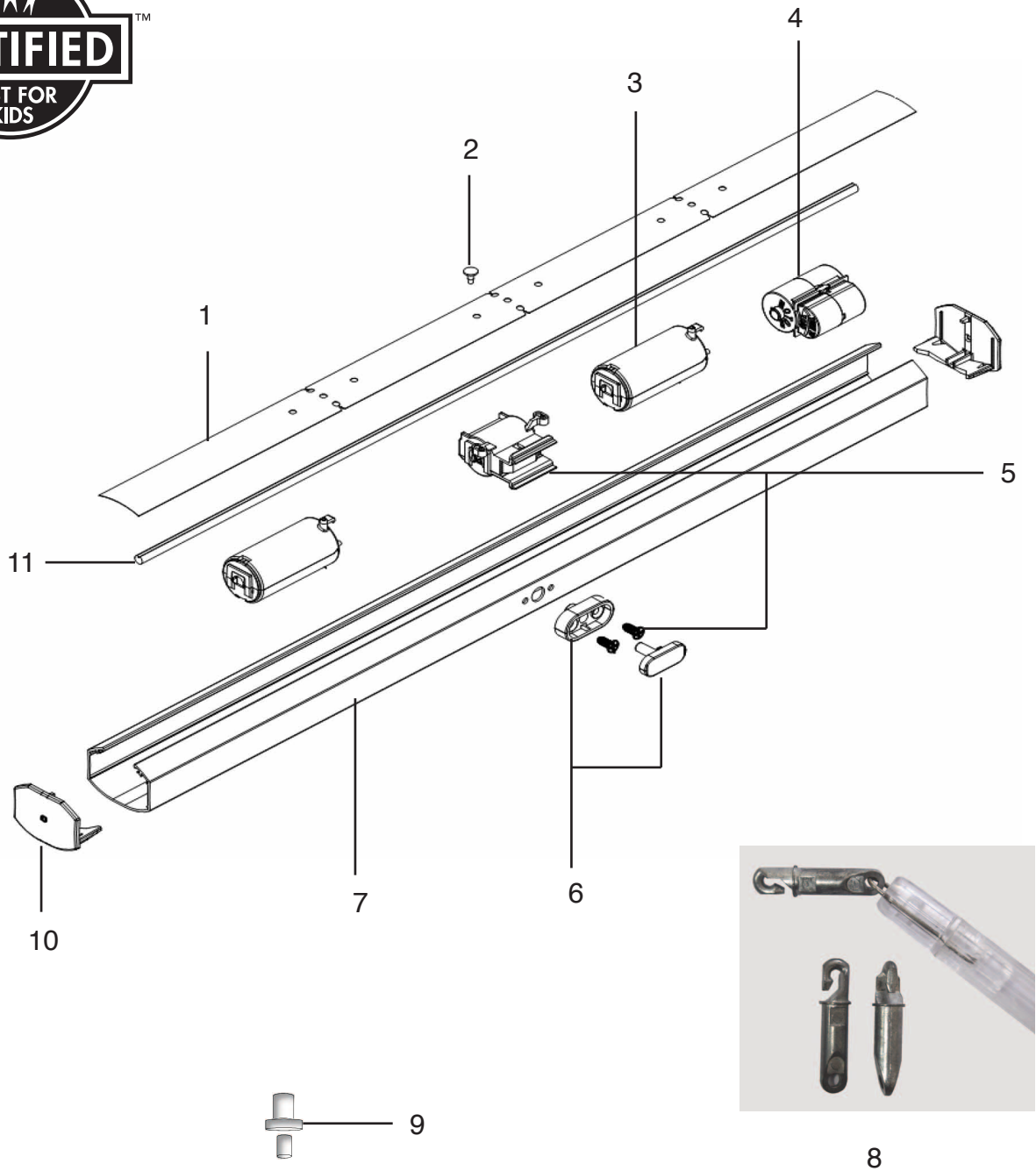
PRODUCT COMPONENTS - 1" DELUXE BLIND



PRODUCT COMPONENTS – 1" DELUXE BLIND

1. Extension Bracket
Part #KIT1309 (2PK)
Part #KIT1310 (3PK)
2. End Mount Bracket Kit (Part #5908139000)
3. Cordlock (Part #5008564000)
4. 3/8" Spacer Block
Part #KIT-AB-001 (2PK)
Part #KIT-AB-002 (3PK)
(Not required on every blind)
5. Cordlock Adapter w/Separator (Part #5908564000)
6. Headrail End Cap (Part #5908133-COLOR)
7. Headrail
8. Slat
9. Bottomrail End Cap (Part #5009033-COLOR)
10. Lift Cord (Part #5009075-COLOR)
11. Cord Connector (Part #7007736-COLOR)
12. Tassel (Part #2930770000)
13. Tape Spacer (Part #5008136000)
14. Not Shown:
Installation Screw (#6 x 1.5) (Part #KIT1029)
Child Safety Kit (Part #KIT2728)
15. Cable Tape Ladder
16. Tape Button (Part #5009035-COLOR)
17. Bottomrail
18. Hold-Down Bracket (Part #KIT2009)
19. Clear Wands
12": Part #5008508000
20": Part #5008501000
30": Part #5008502000
40": Part #5008503000
50": Part #5008504000
60": Part #5008505000
70": Part #5008570000
78": Part #5008578000
90": Part #5008506000
120": Part #5008507000
20. Tiltrod (Part #5908027000)
21. Wand Tilter (Part #1023451)
22. Hidden Installation Bracket
Part #KIT1303 (2PK)
Part #KIT1304 (3PK)
23. Tape Roll Support (Part #5908573000)
24. Tape Roll (Part #5908570000)

PRODUCT COMPONENTS – ALL 1" CORDLESS LIFT & LOCK™

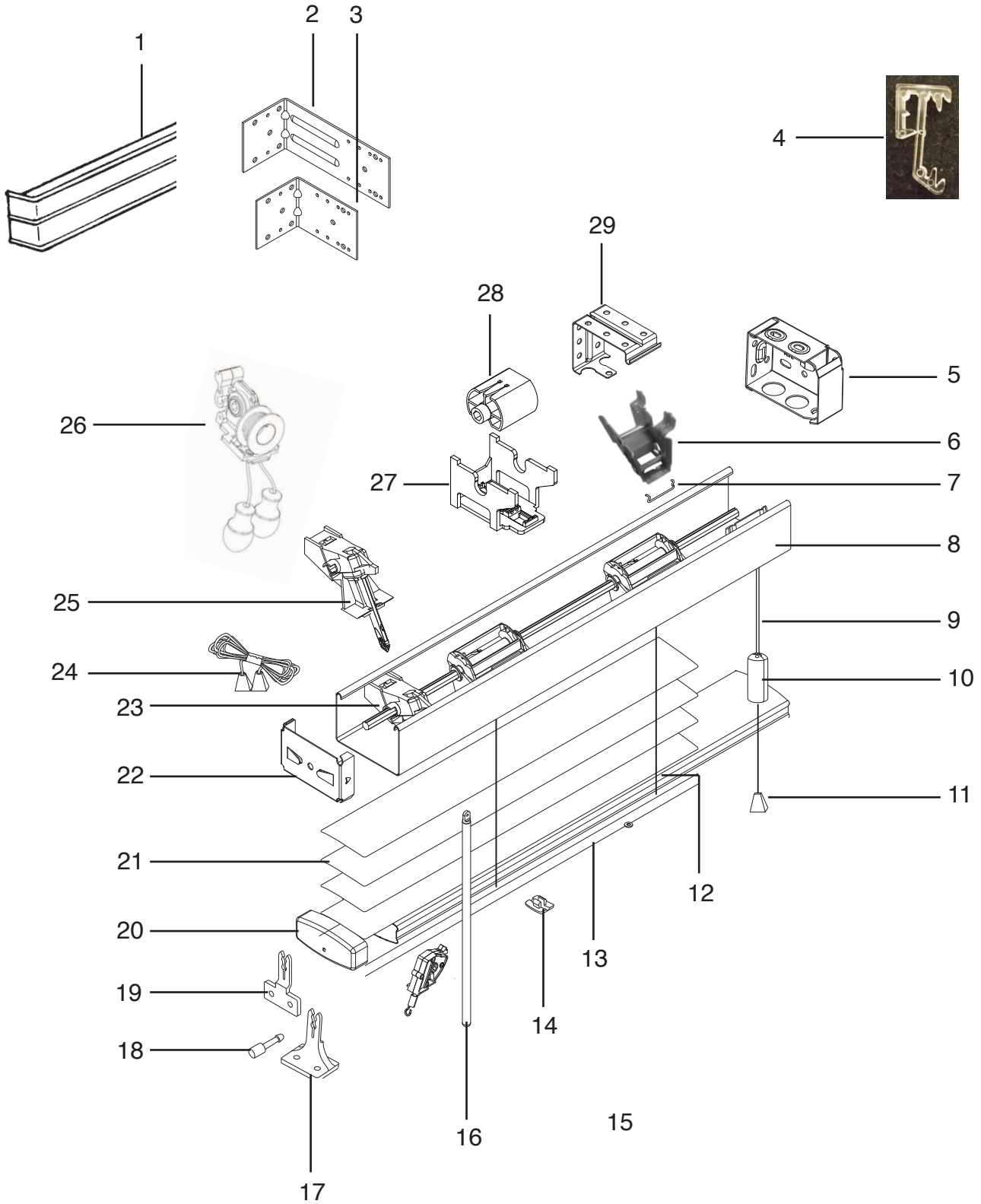


NOTE: Components shown are for the 1" Lift & Lock bottomrail. With the exception of the pocket & ferrule, all headrail components are the same as standard blinds.

PRODUCT COMPONENTS – ALL 1" CORDLESS LIFT & LOCK™

1. 1" Aluminum Filler Strip
2. Grommet Cable Tape Bottom (Part #12-70-9002)
3. 1" Lift & Lock Support Set (Part #7300602000)
4. 1" Lift & Lock Motor
White (Part #7300601000)
Blue (Part #7300611000)
5. 1" Lift & Lock Assembly w/Screws (Part #7300605000)
6. 1" Lift & Lock Button Set (Part #7300604-COLOR)
7. 1" Lift & Lock Bottomrail (Part #5009036-COLOR)
8. 1" Deluxe Wand Extender (Part #7008702000)
9. Pocket/Ferrule Clear (Part #3200156000C)
Included in headrail for skew adjustment
10. 1" Lift & Lock End Cap (Part #5009037-COLOR)
11. Steel V Shaft (Part #2770004000)

PRODUCT COMPONENTS – 2" MACRO BLIND



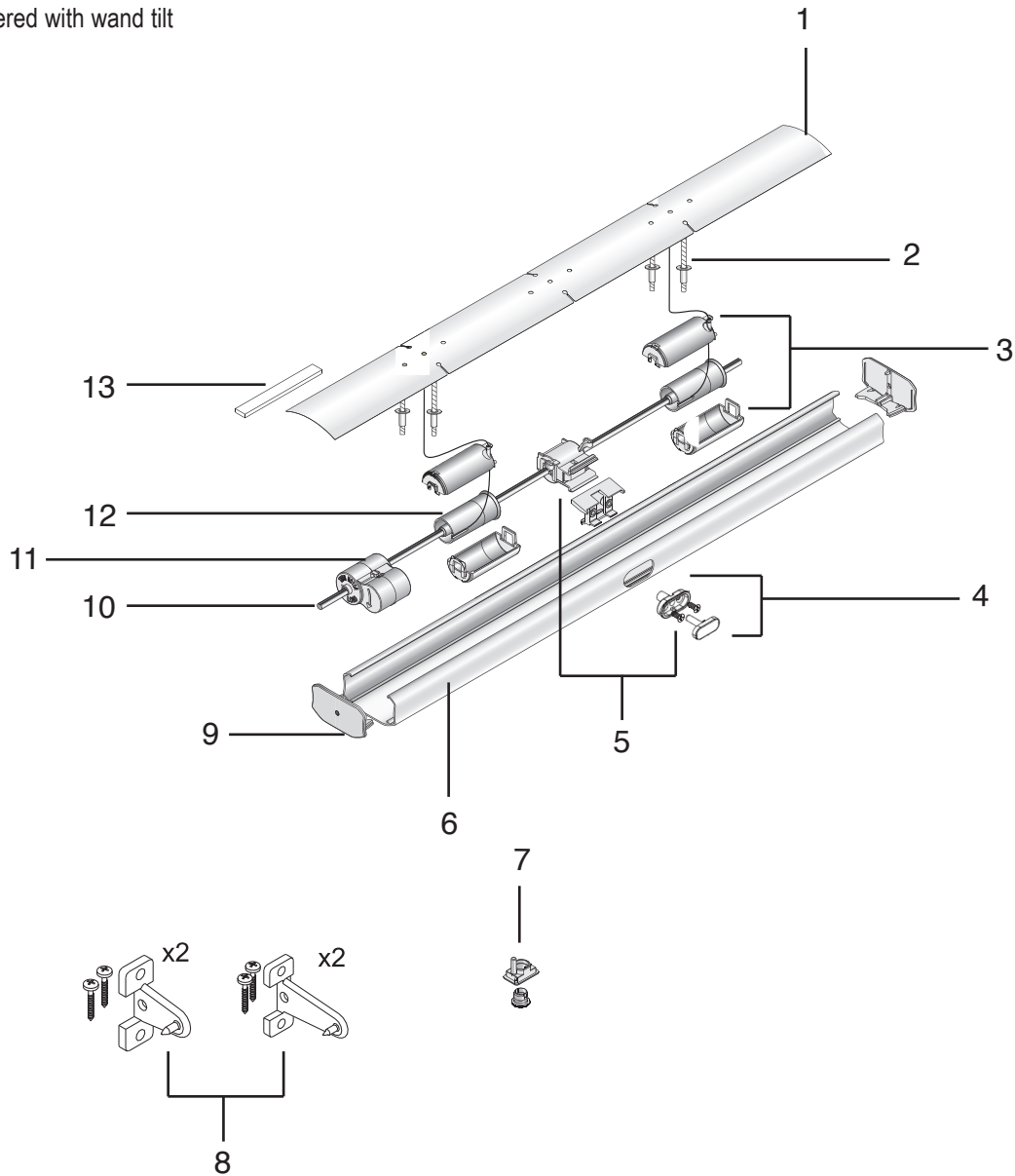
PRODUCT COMPONENTS – 2" MACRO BLIND

1. 2" Slat Channel Valance (Part #60-70-1200)
2. Long Extension Bracket Part # KIT4382 (2PK) #KIT4383 (3PK)
3. Short Extension Bracket Part #KIT4380 (2PK) #KIT4381 (3PK)
4. Valance Clip
Part #KIT-AB-004 (2PK)
Part #KIT-AB-005 (3PK)
5. Box Installation Bracket (Part #5003046-COLOR)
6. Cord Lock Assembly (Part #L-CK-U1)
7. Cord Separator (Part #1012892)
8. Headrail (Part #5003004-COLOR)
9. Lift Cord (Part #5009075-COLOR)
10. Cord Connector (Part #7007736-COLOR)
11. Tassel (Part #2930770000)
12. Cable Tape Ladder
13. Bottom Rail (Part #5003023-COLOR)
14. Tape Button (Part #5009035-COLOR)
15. Not Shown:
Installation Screw (#6 x 1.5) (Part #KIT1029)
Child Safety Kit (Part #KIT2728)
16. Clear Wands
12" Part # 1031866
20" Part # 1031867
24" Part # 1031868
36" Part # 1031869
48" Part # 1031950
60" Part # 1030286
72" Part # 1030287
84" Part # 1030288
17. Hold-Down Bracket (Sill) (Part #KIT4314)
18. Hold-Down Pin (Part #5007307000)
19. Hold-Down Bracket (Jamb) (Part #KIT4315)
20. Bottom Rail End Cap (Part #5003093-COLOR)
21. Slat
22. End Lock (Part #5003655000S)
23. Tiltrod (Part #1030963)
24. Optional Tilt Cords
25. Wand Tilter (Part #1029366)
26. Optional Cord Tilter
(Part #1029367) (Uncorded)
(Part #1029368) (Corded)
27. Tape Drum Support
(Part#1029362) (Right Handed Lift)
(Part#1029363) (Left Handed Lift)
28. Tape Drum (Part #1029361)
29. Intermediate Support Bracket (Part #KIT1018)

PRODUCT COMPONENTS – 2" MACRO WITH CORDLESS LIFT & LOCK™



*when ordered with wand tilt



PRODUCT COMPONENTS – 2" MACRO WITH CORDLESS LIFT & LOCK™

1. 2" Aluminum Slat (Part #5001200-COLOR-H)
2. 2" Cable Tape Grommet (Part #12-70-9002)
3. Support and Cover Set (Part #7300405000)
4. Lift & Lock Button Set (Part #7300406-COLOR)
5. 2" Lock Assembly with screws (Part #7300404000)
6. Lift & Lock Bottomrail (Part #5003024-COLOR-T)
7. Cord Skew Adjuster (Part #7300501000)
Included in headrail for skew adjustment
NOTE: Components shown are for the 2" Lift & Lock bottomrail. With the exception of the skew adjuster, all headrail components are the same as standard blinds.
8. Hold Down Brackets for 2" Macro Cordless Lift & Lock
Sill - 3/8" (Part #KIT2009)
Jamb - 3/4" (Part #KIT2010)
9. Lift & Lock Bottomrail End Cap (Part #5003097-COLOR)
10. "V" Tiltrod (Part #2770004000)
11. Lift & Lock Motor
(Part #7300402000 Beige)
(Part #7300401000 Black)
12. Lift & Lock Lift Spool (Part #2781211001)
13. Foam Tape