



kirsch®

Custom Honeycomb Shades

Suggested Retail Pricing
Effective April 2015

Table of Contents

Product Guide

How to Place an Order	3
How to Measure	4
How to measure Multiple Shades on One Headrail	4
Critical Dimensions	5
Special Brackets	5
Collections and Finish Index	6-7
Color Variation	7
Cleaning Guide	7
Energy Efficiency	8-9

Pricing

Classique Collection, 9/16" - Price Group A	10-11
Mosaic Collection, 9/16" - Price Group B	12-13
Mosaic Collection, 3/4" - Price Group C	14-15
Mosaic Collection, Double Cell - Price Group D	16-17
Zileana Collection, 9/16" - Price Group E	18-19
Linen Collection, 9/16" - Price Group F	20-21
Satinage Collection, 9/16" - Price Group G	22-23
Modern Texture, Twig, Muslinet Collection, 9/16" - Price Group H	24-25
Sheer Collection, 9/16" - Price Group I	26-27

Product Details

Automation	28-30
Product Summary	31
Options	32-33
Headrail Options	34
Specialty Shapes	35-36
Troubleshooting Tips	37
Exploded View - Corded Shade	38
Exploded View - Cordless Shade	39
Exploded View - Cordless Top Down / Bottom Up Shade	40
Exploded View - Continuous Cord Loop Shade	41
Terms and Conditions	42
Kirsch Trust Warranty	42

How to Place an Order

STEP 1 Choose your Fabric

STEP 2 Choose your Color

STEP 3 Choose your Option

Operation - Cordless, Continuous Cordloop or Corded

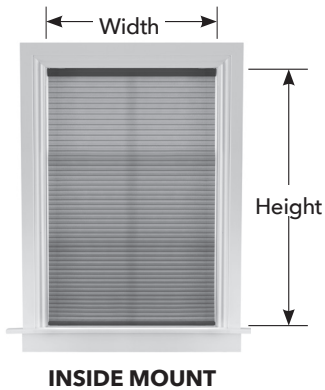
Control Style - Day/Night, Top Down/Bottom Up, Specialty Shape
or Standard Bottom Up

Multiple Shades on One Headrail

Automation

**When in doubt, call customer service or contact your Distributor.
We are happy to help answer any ordering questions you may encounter!
1-800-225-1988**

How to Measure

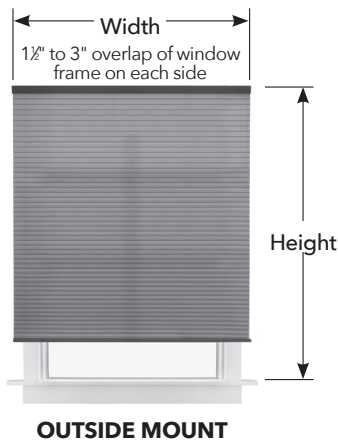


INSIDE MOUNT (IM) INSTALLATION

TO FIND WIDTH
To find width: Measure exact distance between inside surfaces of window frame at the top, middle, and bottom, and use the narrowest width. **DO NOT MAKE ANY WIDTH DEDUCTIONS.**

TO FIND HEIGHT
To find height: Measure exact distance from inside surface at top of window to sill. If you prefer shade not to touch sill, deduct ¼". If there is no sill, measure height to point where shade is to reach.

STANDARD FACTORY DEDUCTIONS FROM ORDERED WIDTH	
INSIDE MOUNT	
Standard Corded	3/8"
Cordless	3/8"
Continuous Cordloop	3/8"



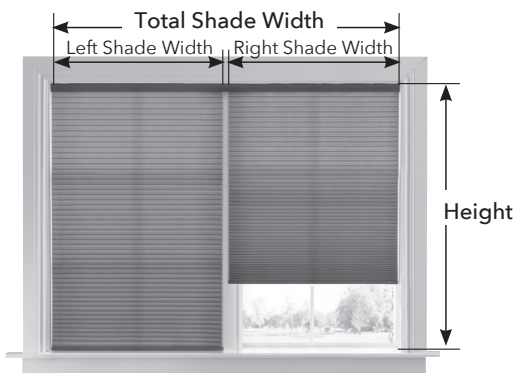
OUTSIDE MOUNT (OM) INSTALLATION

TO FIND WIDTH
To find width: Measure exact distance between the outermost points where the shade is to be placed. This measurement should overlap each side of window frame by at least 1 1/2". Factory makes no deduction from your shade width dimensions.

TO FIND HEIGHT
Measure exact distance from where top of shade will be located to top of sill. If there is no sill or if shade is to overlap window frame, measure to point shade is to reach.

STANDARD FACTORY DEDUCTIONS FROM ORDERED WIDTH	
OUTSIDE MOUNT	
Standard Corded	0"
Cordless	0"
Continuous Cordloop	0"

How to Measure Multiple Shades on One Headrail



NOTE: The left shade width plus the innerspace, plus the right shade width must equal the overall shade width.
NOTE: There will be a standard 1/4" inner-space between the fabric on the left and right shades to allow for shades to operate independently.

INSIDE MOUNT (IM) INSTALLATION

TOTAL SHADE WIDTH
Measure the width of the window at the top, middle and bottom. Order the narrowest measurement.

LEFT SHADE WIDTH
Measure the width that you want the left shade to cover. Order this shade first when placing your order.

RIGHT SHADE WIDTH
Measure the width that you want the right shade to cover.

HEIGHT
Measure the window from the top to the bottom for the desired height.

OUTSIDE MOUNT (OM) INSTALLATION

TOTAL SHADE WIDTH
Measure the desired overall shade width. Add 3". For maximum privacy, add an additional 3" to the total width.

LEFT SHADE WIDTH
Measure the width that you want the left shade to cover. Order this shade first when placing your order.

RIGHT SHADE WIDTH
Measure the width that you want the right shade to cover.

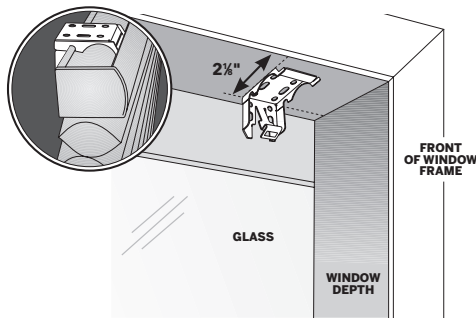
HEIGHT
Measure the desired height. Add at least 3". For maximum privacy add an additional 3" to the total height.

Critical Dimensions

CORDLESS and CONTINUOUS CORDLOOP HEADRAIL

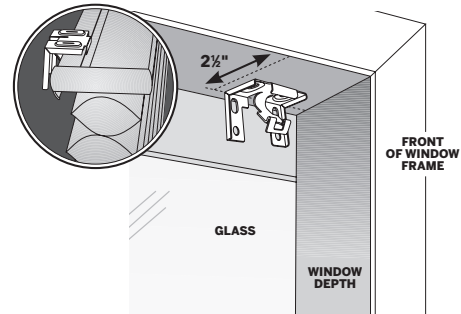
Position brackets in window frame to allow for the desired mount. Install brackets approximately 2" from each end of the headrail.

NOTE: If installing a cordless shade, avoid motors when installing.



CORDED HEADRAIL

Position brackets in window frame to allow for the desired mount. Install brackets approximately 2" from each end of the headrail.



	HEADRAIL DIMENSIONS (DEPTH X HEIGHT)	MINIMUM MOUNTING SURFACE	
		HEADRAIL PROTRUDES Clearances necessary for either side, back or top mount	FLUSH MOUNT HEADRAIL
Corded Double Cell	2 1/8" x 5/16"	5/8"	2 1/2"
Corded Single Cell	1 7/8" x 5/16"	5/8"	2 1/4"
Cordless and Continuous Cordloop	1 7/8" x 1 3/8"	1/2"	2 1/2"

Use the above chart to verify that you have adequate window depth for mounting.

NOTE: If flush mount is desired, the headrail will not extend past the window frame into the room. Consider headrail size and brackets when installing flush mount.

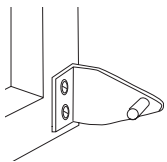
BOTTOM RAIL DIMENSIONS		
Bottomrail Type	Cell Size	Dimensions
Standard Corded		
Small Bottomrail	All	1 1/2" d x 7/16" h
Large Bottomrail	All	1 3/4" d x 5/8" h
Cordless & Continuous Cordloop		
Large Bottomrail	All	1 3/4" d x 5/8" h

NOTE: Different bottom rails used on corded product to account for weights for better balancing.

WIDTH	NUMBER OF INSTALLATION BRACKETS	
	CORDED	CORDLESS
Up to 38"	2	2
38" to 68"	3	3
68" to 82"	4	3
82" to 106"	5	4
106" to 130"	6	4
130" and above	7	-

Special Brackets

Hold-down Brackets

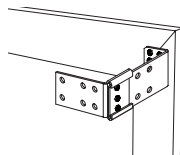


Hold-down brackets are available for securing the bottomrail in position. These brackets can stop a shade from bouncing and loosely swinging if the shade is hung on a door.

NOTE: For outside mount only.

NOTE: Available for order through Customer Service.

Extension Brackets



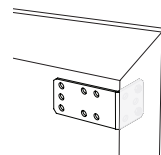
Extension brackets are available for outside mount shades. When the shade must operate around an obstruction, these brackets project the shade away from the wall, allowing easy operation. The brackets come in two sizes, providing flexible projection lengths.

STANDARD & CORDLESS SHADES

SIZE	PROJECTION
1	3/8" (1 spacer)
2	1" to 3" (adjustable)

NOTE: Additional configurations shown in installation instructions.

Side Mount Brackets



Ideal for windows below transoms and arches. Alternative mounting method when no frame is available above the window for mounting. Use only if shade dimensions fall within the following:

CORDED	Minimum shade width	6"
	Maximum shade width	48"
	Minimum shade height	6"
	Maximum shade height	72"
CORDLESS	Minimum shade width	10"
	Maximum shade width	48"
	Minimum shade height	6"
	Maximum shade height	72"

Honeycomb Shades

Modern Texture Collection - 9/16"	Light Filtering	Opaque
Bay Leaf	59BMT014	59GMT014
Cream	59BMT015	59GMT015
Graphite	59BMT016	59GMT016
Sage	59BMT017	59GMT017
Sand	59BMT018	59GMT018
Slate	59BMT019	59GMT019
Toffee	59BMT020	59GMT020
Whisper	59BMT021	59GMT021

Muslinet Collection - 9/16"	Light Filtering	Opaque
Bay Leaf	59AMT022	59FMT022
Biscuit	59AMT023	59FMT023
Graphite	59AMT024	59FMT024
Mocha	59AMT025	59FMT025
Navy	59AMT026	59FMT026
Sage	59AMT027	59FMT027
Wheat	59AMT029	59FMT029
White	59AMT028	59FMT028

Twig Collection - 9/16"	Light Filtering	Opaque
Amethyst	59CPU001	59HPU001
Cream	59C70202	59H70202
Light Fog	59CGY008	59HGY008
Lt. Olive	59C70334	59H70334
Raffia	59C70331	59H70331
Sand	59C70247	59H70247
Snow	59C70199	59H70199
Toffee	59C70216	59H70216

Linen Collection - 9/16"	Light Filtering	Opaque
Candlelight	59170105	59770105
Cream	59170202	59770202
Light Grey	59170343	59770343
Lt. Olive	59170334	59770334
Mink	59170110	59770110
Sand	59170247	59770247
Slate	59170800	59770800
Toffee	59170216	59770216

Satinage Collection - 9/16"	Light Filtering	Opaque
Candlelight	59270105	
Cream	59270202	
Mink	59270110	
Sand	59270247	
Snow	59270199	
Wheat	59270332	

Mosaic Collection - 9/16"	Light Filtering	Opaque	Energy Liner
Aqua	59470336	59970336	59D70336
Black	59470147	59970147	59D70147
Buttercream	594YW001	599YW001	59DYW001
Candlelight	59470105	59970105	59D70105
Cayenne	59470342	59970342	59D70342
Cherry Blossom	594RE002	599RE002	59DRE002
Chili Spice	59470144	59970144	59D70144
Cream	59470202	59970202	59D70202
Daylight	59470104	59970104	59D70104
Espresso	59480804	59980804	59D80804
Graphite	59470345	59970345	59D70345
Lavender	59470136	59970136	59D70136
Linen Sand	59470406	59970406	59D70406
Lt. Olive	59470334	59970334	59D70334
Marine	59470337	59970337	59D70337
Merlot	59470146	59970146	59D70146
Mink	59470110	59970110	59D70110
Mocha	59470152	59970152	59D70152
Navy	59470135	59970135	59D70135
Ocean	59470141	59970141	59D70141
Plum	59470346	59970346	59D70346
Raffia	59470331	59970331	59D70331
Sage	59470803	59970803	59D70803
Sand	59470247	59970247	59D70247
Sangria	59470801	59970801	59D70801
Slate	59470800	59970800	59D70800
Snow	59470199	59970199	59D70199
Suede Sand	59470449	59970449	59D70449
Toffee	59470216	59970216	59D70216
Tumbleweed	59470108	59970108	59D70108
Wheat	59470332	59970332	59D70332
Whisper	59470101	59970101	59D70101

Mosaic Collection - 3/4"	Light Filtering	Opaque	Energy Liner
Aqua	53470336	53970336	
Black	53470147	53970147	
Buttercream	534YW001	539YW001	
Candlelight	53470105	53970105	
Cayenne	53470342	53970342	
Cherry Blossom	534RE002	539RE002	
Chili Spice	53470144	53970144	
Cream	53470202	53970202	
Daylight	53470104	53970104	
Espresso	53480804	53980804	
Graphite	53470345	53970345	
Lavender	53470136	53970136	
Linen Sand	53470406	53970406	
Lt. Olive	53470334	53970334	
Marine	53470337	53970337	
Merlot	53470146	53970146	
Mink	53470110	53970110	
Mocha	53470152	53970152	
Navy	53470135	53970135	
Ocean	53470141	53970141	
Plum	53470346	53970346	
Raffia	53470331	53970331	
Sage	53470803	53970803	
Sand	53470247	53970247	
Sangria	53470801	53970801	
Slate	53470800	53970800	
Snow	53470199	53970199	
Suede Sand	53470449	53970449	
Toffee	53470216	53970216	
Tumbleweed	53470108	53970108	
Wheat	53470332	53970332	
Whisper	53470101	53970101	

Honeycomb Shades

Mosaic Collection - Double Cell	Light Filtering	Opaque	Energy Liner
Aqua	52470336		
Black	52470147		
Buttercream	524YW001		
Candlelight	52470105		
Cayenne	52470342		
Cherry Blossom	524RE002		
Chili Spice	52470144		
Cream	52470202		
Daylight	52470104		
Espresso	52480804		
Graphite	52470345		
Lavender	52470136		
Linen Sand	52470406		
Lt. Olive	52470334		
Marine	52470337		
Merlot	52470146		
Mink	52470110		
Mocha	52470152		
Navy	52470135		
Ocean	52470141		
Plum	52470346		
Raffia	52470331		
Sage	52470803		
Sand	52470247		
Sangria	52470801		
Slate	52470800		
Snow	52470199		
Suede Sand	52470449		
Toffee	52470216		
Tumbleweed	52470108		
Wheat	52470332		
Whisper	52470101		

Zileana Collection - 9/16"	Light Filtering	Opaque	Energy Liner
Amethyst	593PU001	598PU001	59EPU001
Aqua	59370336	59870336	59E70336
Bay Leaf	593GE001	598GE001	59EGE001
Black	59370147	59870147	59E70147
Cayenne	59370342	59870342	59E70342
Daylight	59370104	59870104	59E70104
Espresso	59380804	59880804	59E80804
Fresh Green	59370333	59870333	59E70333
Graphite	59370345	59870345	59E70345
Light Grey	59370343	59870343	59E70343
Marine	59370337	59870337	59E70337
Mink	59370110	59870110	59E70110
Raffia	59370331	59870331	59E70331
Sand	59370247	59870247	59E70247
Sangria	59370801	59870801	59E70801
Slate	59370800	59870800	59E70800
Snow	59370199	59870199	59E70199
Toffee	59370216	59870216	59E70216
Whisper	59370101	59870101	59E70101

Sheer Collection - 9/16"	Light Filtering	Opaque	Energy Liner
Cream	59670202		
Graphite	59670345		
Snow	59670199		
Toffee	59670216		
Tumbleweed	59670108		

Classique Collection - 9/16"	Light Filtering	Opaque	Energy Liner
Candlelight	59570105	59070105	
Cream	59570202	59070202	
Light Grey	59570343	59070343	
Sand	59570247	59070247	
Snow	59570199	59070199	
Toffee	59570216	59070216	
Tumbleweed	59570108	59070108	
Whisper	59570101	59070101	

Color Variation

Color lot variations may occur due to the process of color application and cellularization. For the best color match, order all shades for a room at the same time. Pattern availability and color lot match between orders cannot be assured. Any variation in color is in accordance with industry standards.

Cleaning Guide

All Kirsch® Honeycomb Shades are made for a lifetime of carefree use and are made of 100% polyester for durability. Your shade illustrates another facet of quality with its easy care advantage.

Dusting

To maintain a like new appearance Honeycomb Shades can be cleaned with a feather duster or a brush-type vacuum cleaner attachment; stroke lightly with over the shade to clean.

Spot cleaning/stain removal

At home

Using warm water and a mild soap if needed (mild soap includes products such as Woolite® or Scotchgard® Upholstery cleaner) spot clean the shade by going back and forth gently in the direction parallel to the pleats in the fabric. Test cleaner on a small section of fabric in a inconspicuous spot. Once stain is removed pat with a clean, dry towel to remove excess water and let dry.

Make sure shade is fully open to air dry. Be careful not to crush or wrinkle the fabric. Avoid contact with window cleaning products.

Call local on-site blind/shade cleaner

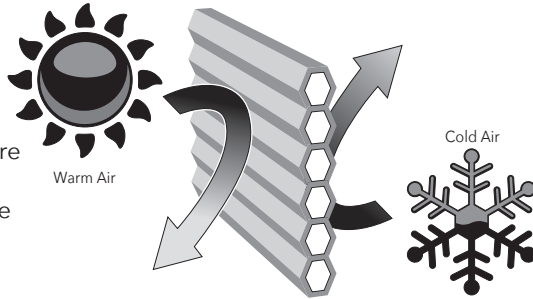
Most on-site blind and shade cleaners use a cleaning method called injection/extraction cleaning. This type of cleaning injects a cleaning solution into the fabric and extracts the dirty solution at the same time. It is a very effective way to clean your Honeycomb Shades. The service is typically performed at home so you do not need to remove your window treatments.

Understanding the science

Not only does Kirsch have beautiful colors and exclusive woven fabrics, it also has the most energy efficient shading solutions on the market. Two things to consider when looking at how to increase energy efficiency are R-Value and Solar Heat Gain Coefficient. It is the combination of the two that helps you calculate the amount of savings on your heating and cooling costs.

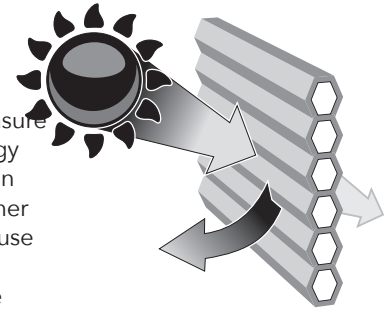
R-Value

R-Value refers to the shade's ability to block out temperature differences, such as cold air outside in the winter. A higher R-Value indicates a better insulating shade.



Solar Heat Gain Coefficient (SHGC)

Solar Heat Gain is a measure of how much solar energy passes into your home. In northern climates, a higher SHGC is preferred because it allows the sun to heat the room. While in more southern climates, a lower SHGC is better because it blocks the sun.



Ultraviolet Protection Factor (UPF Rating)

The Ultraviolet Protection Factor (UPF) shows how well a fabric protects from solar UV rays. Our Honeycomb fabrics have UPF ratings to help you gauge the best solution for protecting your furnishings, floor coverings and artwork from fading. UPF ratings range from 15 to 50.

	UPF RATING	UV BLOCKAGE
Good	15 to 25	93-96%
Very Good	25 to 35	96-98%
Excellent	35 to 50	98-99%

COLLECTION	SHGC ²	R-VALUE ²	UPF RATING ³
Sheer with Energy Liner	0.36	3.68	20
Satinage Light Filtering	0.36	3.03	50
Linen Light Filtering	0.34	3.13	50
Classique Light Filtering	0.31	3.23	35
Mosaic Light Filtering	0.27	3.40	50
Mosaic with Energy Liner	0.26	4.00	50
Mosaic Double Cell	0.26	3.91	50
Zileana with Energy Liner	0.26	3.79	50
Zileana Light Filtering	0.25	3.73	50
Muslinet Light Filtering	0.25	3.13	50
Twig Light Filtering	0.25	2.86	50
Modern Texture Light Filtering	0.23	3.23	50
Twig Room Darkening	0.23	3.23	50
Mosaic Room Darkening	0.20	3.44	50
Muslinet Room Darkening	0.20	3.33	50
Modern Texture Room Darkening	0.20	3.23	50
Zileana Room Darkening	0.19	3.86	50
Classique Room Darkening	0.19	3.57	50
Linen Room Darkening	0.19	3.45	50
Mosaic 3/4" Cell Light Filtering	0.17	4.05	50
Mosaic 3/4" Cell Room Darkening	0.17	4.05	50

Beauty that inspires. Fabrics that insulate.

When choosing products for your home, both R-Value and Solar Heat Gain should be considered since both factors are used to calculate how a shade can reduce your heating and cooling costs. Our seasonally friendly exclusive Energy Liner works to address both. The added layer helps block air and provides additional insulation.

In warmer months, Energy Liner:

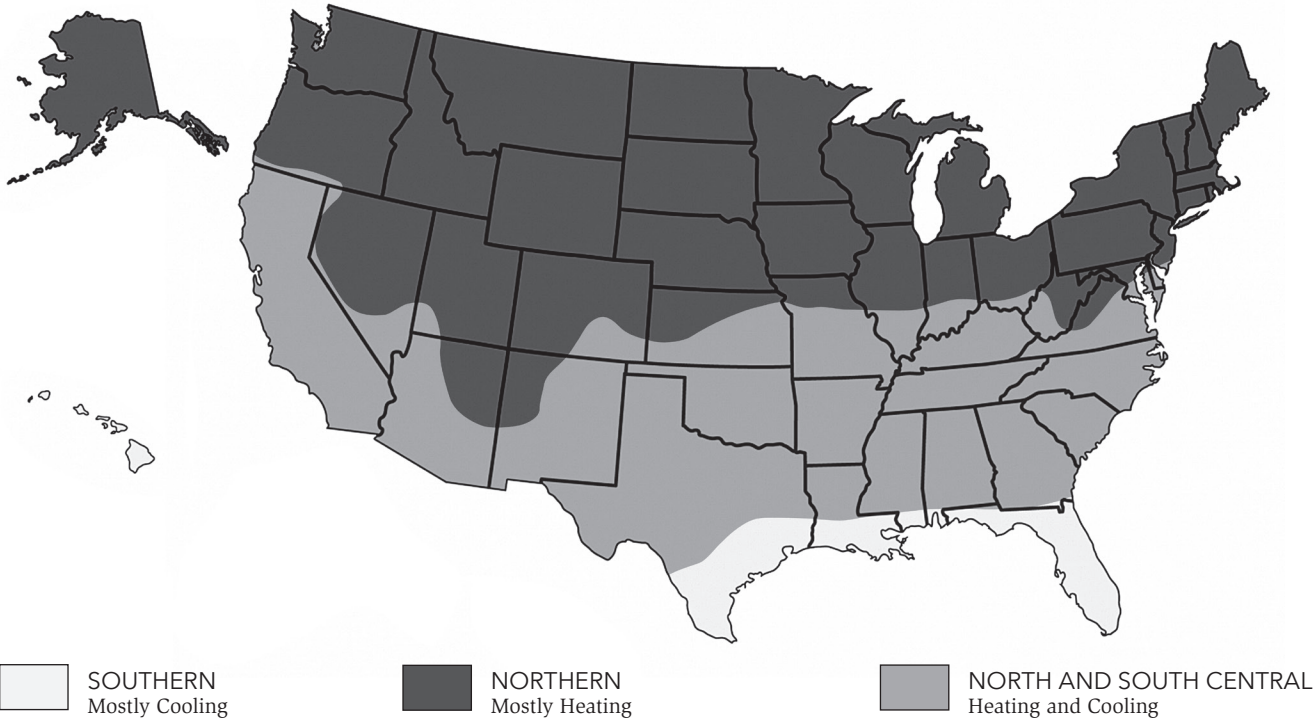
- Eliminates air flow through the shade
- Blocks interior cooled air from escaping your home

In colder months, Energy Liner:

- Eliminates air flow through the shade
- Provides additional insulation
- Allows warmth and filtered light from the sun

Climate Map

No matter where you live, Kirsch® has an Honeycomb Shade solution that will help keep your home comfortable while reducing energy costs. Use the below climate map and information grid for suggestions appropriate for your region and climate zone.



This map is meant to be a guide. If you are unsure as to what is right for you, consult the product solutions section below or visit Kirsch.com.

CLIMATE	PRODUCTS	ANNUAL SAVINGS	PRODUCT SOLUTIONS
Northern Climate	<ul style="list-style-type: none"> • Sheer • Zileana with Energy Liner 	up to 5% ¹	If you are concerned about heating cost because you live in a cool, but sunny area, choose Sheer or Light Filtering with Energy Liner. Both will let the warmth of the sun help heat your home, while the Energy Liner works as a barrier to keep internal air from escaping through windows.
North and South Central Climate	<ul style="list-style-type: none"> • Day/Night Sheer paired with Mosaic Opaque • Mosaic with Energy Liner 	up to 12% ¹	If you live in a temperate climate where you need help reducing heating and cooling cost, a Transformation shade is the perfect solution. Day/Night combines two fabrics to maximize your energy efficiency. The Light Filtering fabric helps capture sunlight while blocking cold air to help heat your home. On hot, sunny days, the Opaque fabric controls light and blocks out the heat, keeping your home cooler.
Southern Climate	<ul style="list-style-type: none"> • Zileana or Mosaic Room Darkening • Mosaic Double Cell 	up to 26% ¹	If you are concerned about cooling costs because you live in a warm, sunny area, choose a Opaque product. This fabric helps block the sun from heating your room.

Sources:
¹ Estimated savings on heating and cooling costs were calculated using ten largest statistical metro areas by climate region using RESFEN 6.0, software contracted by the United States: United States Department of Energy. The houses modeled were 2000 sq. ft. with 300 sq. ft. of double pane clear windows. Windows are evenly distributed and shades assumed to be down at all times.
² R-Values and SHGC are tested using a modified ASTM1199-00 and modified ISO15099:2003 respectively using double pane clear windows.
³ UPF ratings calculated using AATCC 183.

Honeycomb Shades

Price Group A Classique Collection, 9/16"

	Light Filtering	Opaque
Candlelight	59570105	59070105
Cream	59570202	59070202
Light Grey	59570343	59070343
Sand	59570247	59070247
Snow	59570199	59070199
Toffee	59570216	59070216
Tumbleweed	59570108	59070108
Whisper	59570101	59070101

MINIMUM AND MAXIMUM SIZES					
CORDED	Standard Bottom Up	Top Down / Bottom Up, Day/Night	Continuous Cordloop	Multiple Shades on One Headrail - Standard**	Multiple Shades on One Headrail - Continuous Cordloop**
Minimum Width	6"	12"	18"	12"	36"
Maximum Width	120"	72"	120"	144"	144"
Minimum Height	6"	6"	18"	6"	18"
Maximum Height	144"	96"	144"	144"	144"

NOTE: For Continuous Cordloop, if height is greater than 96", minimum width is 31".

NOTE: For Continuous Cordloop with multiple shades on one headrail, if width is greater than 120", maximum height is 96".

CORDLESS	Standard Bottom Up	Top Down / Bottom Up, Day/Night	Multiple Shades on One Headrail - Standard**	Multiple Shades on One Headrail - Top Down / Bottom Up, Day/Night**
Minimum Width	10"	16"	20"	32"
Maximum Width	120"	96"	120"	96"
Minimum Height	6"	6"	6"	6"
Maximum Height	96"	84"	96"	84"

NOTE: For Standard Cordless, if height is greater than 84", minimum width is 14".

NOTE: For Standard Cordless with multiple shades on one headrail, if height is greater than 84", minimum width is 28".

** For outside mount, add 1/4" to minimum widths.

STACKING CHART (inches)											
SHADE HEIGHT	CONTROL	36"	48"	60"	72"	84"	96"	108"	120"	132"	144"
Classique Collection	Corded	1 7/8	2 1/8	2 1/2	2 3/4	3	3 3/8	3 5/8	4	4 1/4	4 5/8
Classique Collection Opaque	Corded	2 1/4	2 5/8	3	3 3/8	3 3/4	4 1/8	4 1/2	5	5 1/4	5 3/4
Classique Collection	Cordless / CCL	2 3/4	3	3 3/8	3 5/8	4	4 1/4	4 1/2	4 7/8	5 1/8	5 1/2
Classique Collection Opaque	Cordless / CCL	3 1/8	3 1/2	3 7/8	4 1/4	4 3/4	5	5 3/8	5 7/8	6 1/8	6 5/8



NOTE: Stacking dimensions are approximate.

Price Group A
 Classique Collection, 9/16"

PRICE GROUP A - CLASSIQUE COLLECTION, 9/16", LIGHT FILTERING																
	16"	24"	31"	36"	42"	48"	54"	60"	66"	72"	84"	96"	108"	120"	132"	144"
Height to 36"	204	240	277	309	344	381	417	449	485	521	593	666	742	813	886	958
42"	236	264	292	337	376	417	452	497	534	577	653	737	817	906	982	1,062
48"	233	277	320	365	409	449	497	537	581	629	718	809	898	990	1,082	1,170
54"	248	292	337	385	433	485	534	581	633	681	778	878	978	1,082	1,182	1,278
60"	265	313	361	417	465	521	573	625	681	737	841	950	1,062	1,170	1,274	1,386
66"	277	329	381	441	497	553	609	666	725	789	906	1,022	1,138	1,254	1,371	1,491
72"	288	344	400	465	529	589	649	713	774	841	966	1,094	1,222	1,347	1,471	1,600
78"	306	365	424	489	553	629	690	757	822	889	1,026	1,166	1,299	1,438	1,571	1,708
84"	312	376	441	517	586	649	722	794	869	938	1,078	1,230	1,367	1,519	1,663	1,803
90"	321	393	465	541	609	690	761	834	914	990	1,142	1,299	1,451	1,607	1,756	1,912
96"	341	413	485	561	642	722	798	878	962	1,034	1,198	1,362	1,523	1,683	1,847	2,011
108"	357	441	525	609	701	794	874	962	1,050	1,138	1,315	1,499	1,675	1,855	2,039	2,220
120"	390	477	565	666	757	858	954	1,046	1,146	1,243	1,438	1,635	1,831	2,036	2,229	2,428
132"	406	505	605	713	817	926	1,026	1,135	1,239	1,343	1,559	1,775	1,987	2,208	2,421	2,641
144"	424	537	649	761	874	990	1,102	1,215	1,330	1,447	1,675	1,907	2,144	2,381	2,617	2,850

SURCHARGE OPTIONS																
	Single Shade															2 blinds on 1 headrail
Cordless	171					208					275					N/A
Cordless Top Down / Bottom Up	303					346					N/A					
Continuous Cordloop	107	115	124	133	138	144	151	159	138	181	185	205	216	224	232	239
Room Darkening	25%															
Automation	1057	1,071	1,086	1,096	1,111	1,146	1,159	1,170	1,181	1,198	1,232	1,273	1,297	1,335	1,359	1,383

Cordless - Available in shaded area.
 †Continuous Cordloop - If width is greater than 120", maximum height is 96". If width is less than 30", maximum height is 96".
N/A = not available

FREE OPTIONS		
Cordless		
Hold-down brackets (outside mount or door mount only)		
Extension brackets		
Side-mount brackets	Cordless Standard	Cordless TDBU
Min Shade Width	10"	16"
Max Shade Width	48"	48"
Min Shade Height	12"	12"
Max Shade Height	72"	72"
Continuous Cordloop		
Pull Cord either left or right		
Hold-down brackets (outside mount or door mount only)		
Extension brackets		
Side-mount brackets:	Continuous Cordloop	
Min Shade Width	18"	
Max Shade Width	48"	
Min Shade Height	18"	
Max Shade Height	72"	
Cordless		
Pull Cord either left or right		
Hold-down brackets (outside mount or door mount only)		
Extension brackets		
Side-mount brackets	Cordless	Cordless TDBU
Min Shade Width	6"	12"
Max Shade Width	48"	48"
Min Shade Height	6"	6"
Max Shade Height	72"	72"

Continuous Cordloop - if width is greater than 120", maximum length 96". If width is less than 30", maximum height is 96".

SURCHARGE OPTIONS	
Add to the Price of the Shade:	
Top Down / Bottom Up Day/Night	\$170
	\$92
Note: Price two shades plus any surcharges (on apply surcharges once per option)	
2 on 1 Headrail	\$123
Specialty Shapes:	
Arch	\$416
Circle	\$416
Cutout(Limits 2 cuts per shade)	\$124 Per Cut
Fanned Angle (To 60" Width)	\$306
Fanned Angle (Above 60" Width)	\$433
Half Arch	\$416
Hexagon, Octagon	\$428
Standard Skylight	\$286
Standard Skylight Pole	\$119

AUTOMATION SURCHARGE OPTIONS	
Add to the Price of the Shade:	
Battery Powered Radio Frequency motor	
Remote Control (1 Channel)	See Surcharge beneath each price group (A-I).
Remote Control (5 Channel)	\$229
Single Channel Wall Switch	\$551
Five Channel Wall Switch	\$1,288
Automatic Timer	\$1,425
	\$1,504

Automated - if width is greater than 108", maximum height is 90".

Honeycomb Shades

Price Group B Mosaic Collection, 9/16"

	Light Filtering	Opaque	Energy Liner		Light Filtering	Opaque	Energy Liner
Aqua	59470336	59970336	59D70336	Mocha	59470152	59970152	59D70152
Black	59470147	59970147	59D70147	Navy	59470135	59970135	59D70135
Buttercream	594YW001	599YW001	59DYW001	Ocean	59470141	59970141	59D70141
Candlelight	59470105	59970105	59D70105	Plum	59470346	59970346	59D70346
Cayenne	59470342	59970342	59D70342	Raffia	59470331	59970331	59D70331
Cherry Blossom	594RE002	599RE002	59DRE002	Sage	59470803	59970803	59D70803
Chili Spice	59470144	59970144	59D70144	Sand	59470247	59970247	59D70247
Cream	59470202	59970202	59D70202	Sangria	59470801	59970801	59D70801
Daylight	59470104	59970104	59D70104	Slate	59470800	59970800	59D70800
Espresso	59480804	59980804	59D80804	Snow	59470199	59970199	59D70199
Graphite	59470345	59970345	59D70345	Suede Sand	59470449	59970449	59D70449
Lavender	59470136	59970136	59D70136	Toffee	59470216	59970216	59D70216
Linen Sand	59470406	59970406	59D70406	Tumbleweed	59470108	59970108	59D70108
Lt. Olive	59470334	59970334	59D70334	Wheat	59470332	59970332	59D70332
Marine	59470337	59970337	59D70337	Whisper	59470101	59970101	59D70101
Merlot	59470146	59970146	59D70146				

MINIMUM AND MAXIMUM SIZES					
CORDED	Standard Bottom Up	Top Down / Bottom Up, Day/Night	Continuous Cordloop	Multiple Shades on One Headrail - Standard**	Multiple Shades on One Headrail - Continuous Cordloop**
Minimum Width	6"	12"	18"	12"	36"
Maximum Width	120"	72"	120"	144"	144"
Minimum Height	6"	6"	18"	6"	18"
Maximum Height	144"	96"	144"	144"	144"

NOTE: For Continuous Cordloop, if height is greater than 96", minimum width is 31".

NOTE: For Continuous Cordloop with multiple shades on one headrail, if width is greater than 120", maximum height is 96".

CORDLESS	Standard Bottom Up	Top Down / Bottom Up, Day/Night	Multiple Shades on One Headrail - Standard**	Multiple Shades on One Headrail - Top Down / Bottom Up, Day/Night**
Minimum Width	10"	16"	20"	32"
Maximum Width	120"	96"	120"	96"
Minimum Height	6"	6"	6"	6"
Maximum Height	96"	84"	96"	84"

NOTE: For Standard Cordless, if height is greater than 84", minimum width is 14".

NOTE: For Standard Cordless with multiple shades on one headrail, if height is greater than 84", minimum width is 28".

** For outside mount, add 1/4" to minimum widths.

STACKING CHART (inches)											
SHADE HEIGHT	CONTROL	36"	48"	60"	72"	84"	96"	108"	120"	132"	144"
Mosaic Collection	Corded	2	2 3/8	2 3/4	3 1/8	3 1/2	3 7/8	4 1/4	4 1/2	4 7/8	5 1/4
Mosaic Collection With Energy Liner	Corded	2	2 3/8	2 3/4	3 1/8	3 1/2	3 7/8	4 1/4	4 5/8	5	5 3/8
Mosaic Opaque Collection	Corded	2	2 1/4	2 5/8	3	3 1/4	3 5/8	4	4 1/4	4 5/8	5
Mosaic Collection	Cordless / CCL	2 7/8	3 1/4	3 5/8	4	4 3/8	4 3/4	5 1/8	5 1/2	5 3/4	6 1/8
Mosaic Collection With Energy Liner	Cordless / CCL	2 7/8	3 1/4	3 5/8	4	4 3/8	4 3/4	5 1/8	5 1/2	5 7/8	6 1/4
Mosaic Opaque Collection	Cordless / CCL	2 7/8	3 1/8	3 1/2	3 7/8	4 1/8	4 1/2	4 7/8	5 1/4	5 1/2	5 7/8



NOTE: Stacking dimensions are approximate.

Price Group B
Mosaic Collection, 9/16"

PRICE GROUP B - MOSAIC COLLECTION, 9/16", LIGHT FILTERING																
	16"	24"	31"	36"	42"	48"	54"	60"	66"	72"	84"	96"	108"	120"	132"	144"
Height to 36"	252	288	324	366	407	449	486	528	570	610	694	784	869	954	1,039	1,118
42"	268	307	345	393	444	486	536	579	628	675	766	867	960	1,060	1,155	1,246
48"	283	328	372	426	480	528	576	630	682	735	842	948	1,052	1,162	1,270	1,372
54"	296	346	396	454	512	570	625	680	742	798	912	1,031	1,150	1,269	1,382	1,499
60"	315	368	421	485	544	608	673	732	800	859	987	1,113	1,244	1,372	1,497	1,623
66"	322	386	449	518	583	651	719	784	855	921	1,058	1,198	1,334	1,476	1,614	1,750
72"	346	409	471	544	619	693	761	833	893	985	1,130	1,282	1,430	1,582	1,731	1,874
78"	358	427	497	574	653	732	806	885	968	1,046	1,202	1,361	1,524	1,686	1,845	2,003
84"	363	442	521	603	683	768	849	934	1,021	1,101	1,267	1,437	1,610	1,783	1,948	2,115
90"	378	461	544	632	721	810	895	984	1,075	1,163	1,338	1,523	1,701	1,884	2,065	2,245
96"	392	480	569	657	753	848	936	1,028	1,126	1,217	1,402	1,597	1,786	1,980	2,170	2,358
108"	425	520	615	719	822	929	1,025	1,128	1,236	1,337	1,544	1,757	1,966	2,183	2,392	2,604
120"	458	560	661	779	892	1,008	1,115	1,227	1,345	1,456	1,683	1,921	2,151	2,383	2,616	2,848
132"	473	594	714	834	959	1,086	1,204	1,328	1,453	1,578	1,826	2,080	2,331	2,589	2,840	3,097
144"	479	605	731	863	988	1,120	1,244	1,373	1,501	1,635	1,890	2,154	2,417	2,685	2,951	3,217

SURCHARGE OPTIONS																
	Single Shade															2 blinds on 1 headrail
Cordless	171					208					275					N/A
Cordless Top Down / Bottom Up	303					346					N/A					
Continuous Cordloop	107	115	124	133	138	144	151	159	138	181	185	205	216	224	232	239
Energy Liner	125					218					343					520
Room Darkening	25%															
Automation	1057	1,071	1,086	1,096	1,111	1,146	1,159	1,170	1,181	1,198	1,232	1,273	1,297	1,335	1,359	1,383

Cordless - Available in shaded area.

*Continuous Cordloop - If width is greater than 120", maximum height is 96". If width is less than 30", maximum height is 96".

N/A = not available

FREE OPTIONS		
Cordless		
Hold-down brackets (outside mount or door mount only)		
Extension brackets		
Side-mount brackets	Cordless Standard	Cordless TDBU
Min Shade Width	10"	16"
Max Shade Width	48"	48"
Min Shade Height	12"	12"
Max Shade Height	72"	72"
Continuous Cordloop		
Pull Cord either left or right		
Hold-down brackets (outside mount or door mount only)		
Extension brackets		
Side-mount brackets:	Continuous Cordloop	
Min Shade Width	18"	
Max Shade Width	48"	
Min Shade Height	18"	
Max Shade Height	72"	
Cordless		
Pull Cord either left or right		
Hold-down brackets (outside mount or door mount only)		
Extension brackets		
Side-mount brackets	Cordless	Cordless TDBU
Min Shade Width	6"	12"
Max Shade Width	48"	48"
Min Shade Height	6"	6"
Max Shade Height	72"	72"
Cord cleats (included in the purchase)		
Continuous Cordloop - if width is greater than 120", maximum length 96". If width is less than 30", maximum height is 96".		

SURCHARGE OPTIONS	
Add to the Price of the Shade:	
Top Down / Bottom Up Day/Night	\$170
	\$92
Note: Price two shades plus any surcharges (on apply surcharges once per option)	
2 on 1 Headrail	\$123
Specialty Shapes:	
Arch	\$416
Circle	\$416
Cutout(Limits 2 cuts per shade)	\$124 Per Cut
Fanned Angle (To 60" Width)	\$306
Fanned Angle (Above 60" Width)	\$433
Half Arch	\$416
Hexagon, Octagon	\$428
Standard Skylight	\$286
Standard Skylight Pole	\$119

AUTOMATION SURCHARGE OPTIONS	
Add to the Price of the Shade:	
Battery Powered Radio Frequency motor	
Remote Control (1 Channel)	See Surcharge beneath each price group (A-I).
Remote Control (5 Channel)	\$229
Single Channel Wall Switch	\$551
Five Channel Wall Switch	\$1,288
Automatic Timer	\$1,425
	\$1,504
Automated - if width is greater than 108", maximum height is 90".	

Honeycomb Shades

Price Group C Mosaic Collection, 3/4"

	Light Filtering	Opaque		Light Filtering	Opaque
Aqua	53470336	53970336	Mocha	53470152	53970152
Black	53470147	53970147	Navy	53470135	53970135
Buttercream	534YW001	539YW001	Ocean	53470141	53970141
Candlelight	53470105	53970105	Plum	53470346	53970346
Cayenne	53470342	53970342	Raffia	53470331	53970331
Cherry Blossom	534RE002	539RE002	Sage	53470803	53970803
Chili Spice	53470144	53970144	Sand	53470247	53970247
Cream	53470202	53970202	Sangria	53470801	53970801
Daylight	53470104	53970104	Slate	53470800	53970800
Espresso	53480804	53980804	Snow	53470199	53970199
Graphite	53470345	53970345	Suede Sand	53470449	53970449
Lavender	53470136	53970136	Toffee	53470216	53970216
Linen Sand	53470406	53970406	Tumbleweed	53470108	53970108
Lt. Olive	53470334	53970334	Wheat	53470332	53970332
Marine	53470337	53970337	Whisper	53470101	53970101
Merlot	53470146	53970146			

MINIMUM AND MAXIMUM SIZES					
CORDED	Standard Bottom Up	Top Down / Bottom Up, Day/Night	Continuous Cordloop	Multiple Shades on One Headrail - Standard**	Multiple Shades on One Headrail - Continuous Cordloop**
Minimum Width	6"	12"	18"	12"	36"
Maximum Width	120"	72"	120"	144"	144"
Minimum Height	6"	6"	18"	6"	18"
Maximum Height	144"	96"	144"	144"	144"

NOTE: For Continuous Cordloop, if height is greater than 96", minimum width is 31".

NOTE: For Continuous Cordloop with multiple shades on one headrail, if width is greater than 120", maximum height is 96".

CORDLESS	Standard Bottom Up	Top Down / Bottom Up, Day/Night	Multiple Shades on One Headrail - Standard**	Multiple Shades on One Headrail - Top Down / Bottom Up, Day/Night**
Minimum Width	10"	16"	20"	32"
Maximum Width	120"	96"	120"	96"
Minimum Height	6"	6"	6"	6"
Maximum Height	96"	84"	96"	84"

NOTE: For Standard Cordless, if height is greater than 84", minimum width is 14".

NOTE: For Standard Cordless with multiple shades on one headrail, if height is greater than 84", minimum width is 28".

** For outside mount, add 1/4" to minimum widths.

STACKING CHART (inches)											
SHADE HEIGHT	CONTROL	36"	48"	60"	72"	84"	96"	108"	120"	132"	144"
Mosaic 3/4" Cell Collection	Corded	1 5/8	1 7/8	2	2 1/8	2 3/8	2 1/2	2 3/4	2 7/8	3 1/8	3 1/4
Mosaic Opaque 3/4" Cell Collection	Corded	1 3/4	1 7/8	2 1/8	2 3/8	2 1/2	2 3/4	3	3 1/8	3 3/8	3 5/8
Mosaic 3/4" Cell Collection	Cordless / CCL	1 3/4	1 7/8	2 1/8	2 3/8	2 1/2	2 3/4	3	3 1/8	3 3/8	3 5/8
Mosaic Opaque 3/4" Cell Collection	Cordless / CCL	2 1/2	2 5/8	2 7/8	3	3 1/4	3 1/2	3 5/8	3 7/8	4 1/8	4 1/4



NOTE: Stacking dimensions are approximate.

Price Group C
Mosaic Collection, 3/4"

PRICE GROUP C - MOSAIC COLLECTION, 3/4", LIGHT FILTERING																
	16"	24"	31"	36"	42"	48"	54"	60"	66"	72"	84"	96"	108"	120"	132"	144"
Height to 36"	282	323	365	407	457	501	545	592	638	680	775	872	965	1,056	1,149	1,237
42"	302	344	387	440	494	545	599	650	701	753	857	962	1,067	1,173	1,275	1,370
48"	318	367	416	474	537	592	647	704	760	821	935	1,054	1,164	1,282	1,397	1,508
54"	336	390	444	511	574	638	698	760	824	887	1,013	1,146	1,268	1,397	1,523	1,647
60"	348	410	471	544	609	680	753	820	887	957	1,094	1,234	1,370	1,510	1,647	1,784
66"	364	433	501	579	650	727	804	877	948	1,022	1,173	1,326	1,472	1,623	1,769	1,916
72"	388	457	525	608	691	774	852	932	1,011	1,092	1,249	1,416	1,577	1,737	1,895	2,051
78"	395	474	553	641	727	816	901	987	1,070	1,155	1,329	1,504	1,673	1,850	2,021	2,189
84"	406	493	580	669	760	857	944	1,039	1,126	1,216	1,396	1,581	1,765	1,951	2,132	2,309
90"	420	513	605	703	800	901	993	1,092	1,187	1,282	1,476	1,671	1,868	2,061	2,255	2,447
96"	439	535	630	730	835	940	1,039	1,142	1,241	1,343	1,543	1,752	1,957	2,163	2,366	2,567
108"	474	577	680	797	910	1,026	1,133	1,245	1,358	1,471	1,694	1,924	2,147	2,374	2,599	2,825
120"	498	615	731	859	981	1,110	1,229	1,355	1,476	1,597	1,842	2,094	2,337	2,592	2,836	3,080
132"	525	655	785	919	1,055	1,191	1,322	1,454	1,588	1,724	1,990	2,265	2,533	2,804	3,069	3,338
144"	550	694	837	981	1,126	1,276	1,416	1,561	1,706	1,851	2,138	2,429	2,723	3,019	3,305	3,597

SURCHARGE OPTIONS																
Single Shade																2 blinds on 1 headrail
Cordless	171					208					275					N/A
Cordless Top Down / Bottom Up	303					346					N/A					
Continuous Cordloop	107	115	124	133	138	144	151	159	138	181	185	205	216	224	232	239
Room Darkening	25%															
Automation	1057	1,071	1,086	1,096	1,111	1,146	1,159	1,170	1,181	1,198	1,232	1,273	1,297	1,335	1,359	1,383

Cordless - Available in shaded area.

†Continuous Cordloop - If width is greater than 120", maximum height is 96". If width is less than 30", maximum height is 96".

N/A = not available

FREE OPTIONS		
Cordless		
Hold-down brackets (outside mount or door mount only)		
Extension brackets		
Side-mount brackets	Cordless Standard	Cordless TDBU
Min Shade Width	10"	16"
Max Shade Width	48"	48"
Min Shade Height	12"	12"
Max Shade Height	72"	72"
Continuous Cordloop		
Pull Cord either left or right		
Hold-down brackets (outside mount or door mount only)		
Extension brackets		
Side-mount brackets:	Continuous Cordloop	
Min Shade Width	18"	
Max Shade Width	48"	
Min Shade Height	18"	
Max Shade Height	72"	
Cordless		
Pull Cord either left or right		
Hold-down brackets (outside mount or door mount only)		
Extension brackets		
Side-mount brackets	Cordless	Cordless TDBU
Min Shade Width	6"	12"
Max Shade Width	48"	48"
Min Shade Height	6"	6"
Max Shade Height	72"	72"
Cord cleats (included in the purchase)		
Continuous Cordloop - if width is greater than 120", maximum length 96". If width is less than 30", maximum height is 96".		

SURCHARGE OPTIONS	
Add to the Price of the Shade:	
Top Down / Bottom Up Day/Night	\$170
	\$92
Note: Price two shades plus any surcharges (on apply surcharges once per option)	
2 on 1 Headrail	\$123
Specialty Shapes:	
Arch	\$416
Circle	\$416
Cutout(Limits 2 cuts per shade)	\$124 Per Cut
Fanned Angle (To 60" Width)	\$306
Fanned Angle (Above 60" Width)	\$433
Half Arch	\$416
Hexagon, Octagon	\$428
Standard Skylight	\$286
Standard Skylight Pole	\$119

AUTOMATION SURCHARGE OPTIONS	
Add to the Price of the Shade:	
Battery Powered Radio Frequency motor	
Remote Control (1 Channel)	See Surcharge beneath each price group (A-I).
Remote Control (5 Channel)	\$229
Single Channel Wall Switch	\$551
Five Channel Wall Switch	\$1,288
Automatic Timer	\$1,425
	\$1,504
Automated - if width is greater than 108", maximum height is 90".	

Price Group D Mosaic Collection, Double Cell

	Light Filtering		Light Filtering
Aqua	52470336	Mocha	52470152
Black	52470147	Navy	52470135
Buttercream	524YW001	Ocean	52470141
Candlelight	52470105	Plum	52470346
Cayenne	52470342	Raffia	52470331
Cherry Blossom	524RE002	Sage	52470803
Chili Spice	52470144	Sand	52470247
Cream	52470202	Sangria	52470801
Daylight	52470104	Slate	52470800
Espresso	52480804	Snow	52470199
Graphite	52470345	Suede Sand	52470449
Lavender	52470136	Toffee	52470216
Linen Sand	52470406	Tumbleweed	52470108
Lt. Olive	52470334	Wheat	52470332
Marine	52470337	Whisper	52470101
Merlot	52470146		

MINIMUM AND MAXIMUM SIZES					
CORDED	Standard Bottom Up	Top Down / Bottom Up, Day/Night	Continuous Cordloop	Multiple Shades on One Headrail - Standard**	Multiple Shades on One Headrail - Continuous Cordloop**
Minimum Width	6"	12"	18"	12"	36"
Maximum Width	120"	72"	120"	144"	144"
Minimum Height	6"	6"	18"	6"	18"
Maximum Height	144"	96"	144"	144"	144"

NOTE: For Continuous Cordloop, if height is greater than 96", minimum width is 31".

NOTE: For Continuous Cordloop with multiple shades on one headrail, if width is greater than 120", maximum height is 96".

CORDLESS	Standard Bottom Up	Top Down / Bottom Up, Day/Night	Multiple Shades on One Headrail - Standard**	Multiple Shades on One Headrail - Top Down / Bottom Up, Day/Night**
Minimum Width	10"	16"	20"	32"
Maximum Width	120"	96"	120"	96"
Minimum Height	6"	6"	6"	6"
Maximum Height	96"	84"	96"	84"

NOTE: For Standard Cordless, if height is greater than 84", minimum width is 14".

NOTE: For Standard Cordless with multiple shades on one headrail, if height is greater than 84", minimum width is 28".

** For outside mount, add 1/4" to minimum widths.

STACKING CHART (inches)											
SHADE HEIGHT	CONTROL	36"	48"	60"	72"	84"	96"	108"	120"	132"	144"
Mosaic Double Cell Collection	Corded	1 7/8	2 1/8	2 3/8	2 5/8	2 7/8	3 1/8	3 3/8	3 5/8	3 7/8	4 1/8
Mosaic Double Cell Collection	Cordless / CCL	2 5/8	2 3/4	3	3 1/4	3 1/2	3 3/4	4	4 1/4	4 1/2	4 3/4



NOTE: Stacking dimensions are approximate.

Price Group D
Mosaic Collection, Double Cell

PRICE GROUP D - MOSAIC COLLECTION, DOUBLE CELL, LIGHT FILTERING																
	16"	24"	31"	36"	42"	48"	54"	60"	66"	72"	84"	96"	108"	120"	132"	144"
Height to 36"	310	356	401	447	502	551	599	651	701	748	853	959	1,062	1,162	1,265	1,360
42"	332	379	425	484	544	599	659	716	771	828	942	1,059	1,174	1,291	1,403	1,507
48"	350	404	458	522	591	651	711	775	836	903	1,029	1,159	1,280	1,410	1,536	1,659
54"	369	430	489	562	631	701	768	836	906	976	1,114	1,260	1,395	1,536	1,674	1,812
60"	384	450	518	598	671	748	828	902	976	1,052	1,203	1,358	1,507	1,661	1,812	1,962
66"	400	476	551	638	716	800	884	964	1,043	1,124	1,291	1,459	1,619	1,786	1,946	2,107
72"	426	502	578	670	759	851	937	1,025	1,112	1,201	1,374	1,558	1,735	1,910	2,084	2,256
78"	435	522	608	705	800	899	991	1,086	1,177	1,271	1,462	1,655	1,841	2,035	2,222	2,409
84"	446	542	639	735	836	942	1,039	1,143	1,239	1,337	1,535	1,739	1,942	2,147	2,345	2,540
90"	462	564	666	774	880	991	1,093	1,201	1,305	1,410	1,623	1,839	2,055	2,267	2,480	2,692
96"	483	588	694	803	918	1,034	1,143	1,256	1,364	1,477	1,697	1,928	2,153	2,380	2,603	2,824
108"	522	635	748	877	1,002	1,129	1,246	1,370	1,494	1,617	1,864	2,116	2,361	2,611	2,859	3,108
120"	548	676	804	945	1,078	1,221	1,352	1,490	1,623	1,758	2,026	2,303	2,571	2,851	3,120	3,388
132"	578	721	864	1,011	1,160	1,310	1,454	1,600	1,747	1,897	2,188	2,492	2,787	3,085	3,376	3,672
144"	605	763	921	1,078	1,239	1,404	1,558	1,717	1,876	2,036	2,352	2,673	2,995	3,321	3,636	3,957

SURCHARGE OPTIONS																
Single Shade																2 blinds on 1 headrail
Cordless	171					208					275					N/A
Cordless Top Down / Bottom Up	303					346					N/A					
Continuous Cordloop	107	115	124	133	138	144	151	159	138	181	185	205	216	224	232	239
Automation	1057	1,071	1,086	1,096	1,111	1,146	1,159	1,170	1,181	1,198	1,232	1,273	1,297	1,335	1,359	1,383

Cordless - Available in shaded area.

†Continuous Cordloop - If width is greater than 120", maximum height is 96". If width is less than 30", maximum height is 96".

N/A = not available

FREE OPTIONS		
Cordless		
Hold-down brackets (outside mount or door mount only)		
Extension brackets		
Side-mount brackets	Cordless Standard	Cordless TDBU
Min Shade Width	10"	16"
Max Shade Width	48"	48"
Min Shade Height	12"	12"
Max Shade Height	72"	72"
Continuous Cordloop		
Pull Cord either left or right		
Hold-down brackets (outside mount or door mount only)		
Extension brackets		
Side-mount brackets:	Continuous Cordloop	
Min Shade Width	18"	
Max Shade Width	48"	
Min Shade Height	18"	
Max Shade Height	72"	
Cordless		
Pull Cord either left or right		
Hold-down brackets (outside mount or door mount only)		
Extension brackets		
Side-mount brackets	Cordless	Cordless TDBU
Min Shade Width	6"	12"
Max Shade Width	48"	48"
Min Shade Height	6"	6"
Max Shade Height	72"	72"
Cord cleats (included in the purchase)		
Continuous Cordloop - if width is greater than 120", maximum length 96". If width is less than 30", maximum height is 96".		

SURCHARGE OPTIONS	
Add to the Price of the Shade:	
Top Down / Bottom Up Day/Night	\$170
	\$92
Note: Price two shades plus any surcharges (on apply surcharges once per option)	
2 on 1 Headrail	\$123
Specialty Shapes:	
Arch	\$416
Circle	\$416
Cutout(Limits 2 cuts per shade)	\$124 Per Cut
Fanned Angle (To 60" Width)	\$306
Fanned Angle (Above 60" Width)	\$433
Half Arch	\$416
Hexagon, Octagon	\$428
Standard Skylight	\$286
Standard Skylight Pole	\$119

AUTOMATION SURCHARGE OPTIONS	
Add to the Price of the Shade:	
Battery Powered Radio Frequency motor	
See Surcharge beneath each price group (A-I).	
Remote Control (1 Channel)	\$229
Remote Control (5 Channel)	\$551
Single Channel Wall Switch	\$1,288
Five Channel Wall Switch	\$1,425
Automatic Timer	\$1,504
Automated - if width is greater than 108", maximum height is 90".	

Honeycomb Shades

Price Group E Zileana Collection, 9/16"

	Light Filtering	Opaque	Energy Liner		Light Filtering	Opaque	Energy Liner
Amethyst	593PU001	598PU001	59EPU001	Marine	59370337	59870337	59E70337
Aqua	59370336	59870336	59E70336	Mink	59370110	59870110	59E70110
Bay Leaf	593GE001	598GE001	59EGE001	Raffia	59370331	59870331	59E70331
Black	59370147	59870147	59E70147	Sangria	59370801	59870801	59E70801
Cayenne	59370342	59870342	59E70342	Slate	59370800	59870800	59E70800
Daylight	59370104	59870104	59E70104	Snow	59370199	59870199	59E70199
Espresso	59380804	59880804	59E80804	Toffee	59370216	59870216	59E70216
Fresh Green	59370333	59870333	59E70333	Whisper	59370101	59870101	59E70101
Graphite	59370345	59870345	59E70345				
Light Grey	59370343	59870343	59E70343				

MINIMUM AND MAXIMUM SIZES					
CORDED	Standard Bottom Up	Top Down / Bottom Up, Day/Night	Continuous Cordloop	Multiple Shades on One Headrail - Standard**	Multiple Shades on One Headrail - Continuous Cordloop**
Minimum Width	6"	12"	18"	12"	36"
Maximum Width	120"	72"	120"	144"	144"
Minimum Height	6"	6"	18"	6"	18"
Maximum Height	144"	96"	144"	144"	144"

NOTE: For Continuous Cordloop, if height is greater than 96", minimum width is 31".

NOTE: For Continuous Cordloop with multiple shades on one headrail, if width is greater than 120", maximum height is 96".

CORDLESS	Standard Bottom Up	Top Down / Bottom Up, Day/Night	Multiple Shades on One Headrail - Standard**	Multiple Shades on One Headrail - Top Down / Bottom Up, Day/Night**
Minimum Width	10"	16"	20"	32"
Maximum Width	120"	96"	120"	96"
Minimum Height	6"	6"	6"	6"
Maximum Height	96"	84"	96"	84"

NOTE: For Standard Cordless, if height is greater than 84", minimum width is 14".

NOTE: For Standard Cordless with multiple shades on one headrail, if height is greater than 84", minimum width is 28".

** For outside mount, add 1/4" to minimum widths.

STACKING CHART (inches)											
SHADE HEIGHT	CONTROL	36"	48"	60"	72"	84"	96"	108"	120"	132"	144"
Zileana Collection	Corded	2	2 1/2	2 7/8	3 1/4	3 5/8	4	4 3/8	4 3/4	5 1/8	5 1/2
Zileana Collection With Energy Liner	Corded	2	2 1/4	2 5/8	3	3 1/4	3 5/8	4	4 3/8	4 5/8	5
Zileana Opaque Collection	Corded	2 1/8	2 1/2	2 7/8	3 1/4	3 5/8	4	4 3/8	4 3/4	5 1/8	5 5/8
Zileana Collection	Cordless / CCL	3	3 3/8	3 3/4	4 1/8	4 1/2	4 7/8	5 1/4	5 5/8	6	6 3/8
Zileana Collection With Energy Liner	Cordless / CCL	2 7/8	3 1/8	3 1/2	3 7/8	4 1/4	4 1/2	4 7/8	5 1/4	5 5/8	5 7/8
Zileana Opaque Collection	Cordless / CCL	3	3 3/8	3 3/4	4 1/8	4 1/2	4 7/8	5 1/4	5 5/8	6 1/8	6 1/2



NOTE: Stacking dimensions are approximate.

Price Group E
Zileana Collection, 9/16"

PRICE GROUP E - ZILEANA COLLECTION, 9/16", LIGHT FILTERING																
	16"	24"	31"	36"	42"	48"	54"	60"	66"	72"	84"	96"	108"	120"	132"	144"
Height to 36"	406	453	501	567	622	692	758	824	892	955	1,086	1,227	1,359	1,496	1,630	1,758
42"	418	477	537	605	682	754	829	900	976	1,045	1,199	1,354	1,503	1,653	1,797	1,947
48"	432	501	571	649	735	820	896	979	1,062	1,139	1,311	1,481	1,642	1,809	1,973	2,132
54"	453	529	605	695	786	880	967	1,055	1,146	1,237	1,415	1,602	1,784	1,966	2,144	2,315
60"	492	567	642	745	843	938	1,035	1,128	1,233	1,326	1,527	1,725	1,922	2,126	2,314	2,506
66"	509	596	683	786	895	998	1,103	1,207	1,320	1,421	1,635	1,853	2,061	2,277	2,491	2,697
72"	527	622	717	834	950	1,062	1,175	1,284	1,404	1,517	1,743	1,977	2,205	2,436	2,659	2,882
78"	544	651	758	882	1,000	1,125	1,243	1,359	1,486	1,607	1,851	2,102	2,343	2,590	2,829	3,069
84"	564	675	786	917	1,044	1,175	1,297	1,421	1,556	1,678	1,934	2,198	2,453	2,716	2,968	3,218
90"	589	708	828	960	1,096	1,232	1,366	1,500	1,636	1,769	2,042	2,322	2,594	2,868	3,142	3,409
96"	599	727	855	998	1,139	1,292	1,420	1,559	1,704	1,842	2,128	2,419	2,702	2,994	3,278	3,561
108"	645	784	924	1,083	1,237	1,413	1,545	1,704	1,861	2,016	2,329	2,650	2,961	3,280	3,596	3,901
120"	684	839	994	1,165	1,334	1,554	1,673	1,845	2,016	2,183	2,528	2,878	3,215	3,565	3,909	4,247
132"	727	895	1,064	1,250	1,433	1,676	1,803	1,987	2,168	2,355	2,723	3,102	3,473	3,855	4,224	4,595
144"	756	942	1,128	1,322	1,526	1,803	1,915	2,112	2,310	2,502	2,903	3,303	3,704	4,109	4,508	4,899

SURCHARGE OPTIONS																
	Single Shade															2 blinds on 1 headrail
Cordless	171					208					275					N/A
Cordless Top Down / Bottom Up	303					346					N/A					
Continuous Cordloop	107	115	124	133	138	144	151	159	138	181	185	205	216	224	232	239
Energy Liner	125					218					343					520
Room Darkening	25%															
Automation	1057	1,071	1,086	1,096	1,111	1,146	1,159	1,170	1,181	1,198	1,232	1,273	1,297	1,335	1,359	1,383

Cordless - Available in shaded area.

*Continuous Cordloop - If width is greater than 120", maximum height is 96". If width is less than 30", maximum height is 96".

N/A = not available

FREE OPTIONS		
Cordless		
Hold-down brackets (outside mount or door mount only)		
Extension brackets		
Side-mount brackets	Cordless Standard	Cordless TDBU
Min Shade Width	10"	16"
Max Shade Width	48"	48"
Min Shade Height	12"	12"
Max Shade Height	72"	72"
Continuous Cordloop		
Pull Cord either left or right		
Hold-down brackets (outside mount or door mount only)		
Extension brackets		
Side-mount brackets:	Continuous Cordloop	
Min Shade Width	18"	
Max Shade Width	48"	
Min Shade Height	18"	
Max Shade Height	72"	
Cordless		
Pull Cord either left or right		
Hold-down brackets (outside mount or door mount only)		
Extension brackets		
Side-mount brackets	Cordless	Cordless TDBU
Min Shade Width	6"	12"
Max Shade Width	48"	48"
Min Shade Height	6"	6"
Max Shade Height	72"	72"
Cord cleats (included in the purchase)		
Continuous Cordloop - if width is greater than 120", maximum length 96". If width is less than 30", maximum height is 96".		

SURCHARGE OPTIONS	
Add to the Price of the Shade:	
Top Down / Bottom Up Day/Night	\$170
	\$92
Note: Price two shades plus any surcharges (on apply surcharges once per option)	
2 on 1 Headrail	\$123
Specialty Shapes:	
Arch	\$416
Circle	\$416
Cutout(Limits 2 cuts per shade)	\$124 Per Cut
Fanned Angle (To 60" Width)	\$306
Fanned Angle (Above 60" Width)	\$433
Half Arch	\$416
Hexagon, Octagon	\$428
Standard Skylight	\$286
Standard Skylight Pole	\$119

AUTOMATION SURCHARGE OPTIONS	
Add to the Price of the Shade:	
Battery Powered Radio Frequency motor	
See Surcharge beneath each price group (A-I).	
Remote Control (1 Channel)	\$229
Remote Control (5 Channel)	\$551
Single Channel Wall Switch	\$1,288
Five Channel Wall Switch	\$1,425
Automatic Timer	\$1,504
Automated - if width is greater than 108", maximum height is 90".	

Honeycomb Shades

Price Group F Linen Collection, 9/16"

	Light Filtering	Opaque
Candlelight	59170105	59770105
Cream	59170202	59770202
Light Grey	59170343	59770343
Lt. Olive	59170334	59770334
Mink	59170110	59770110
Sand	59170247	59770247
Slate	59170800	59770800
Toffee	59170216	59770216

MINIMUM AND MAXIMUM SIZES					
CORDED	Standard Bottom Up	Top Down / Bottom Up, Day/Night	Continuous Cordloop	Multiple Shades on One Headrail - Standard**	Multiple Shades on One Headrail - Continuous Cordloop**
Minimum Width	6"	12"	18"	12"	36"
Maximum Width	120"	72"	120"	144"	144"
Minimum Height	6"	6"	18"	6"	18"
Maximum Height	144"	96"	144"	144"	144"

NOTE: For Continuous Cordloop, if height is greater than 96", minimum width is 31".

NOTE: For Continuous Cordloop with multiple shades on one headrail, if width is greater than 120", maximum height is 96".

CORDLESS	Standard Bottom Up	Top Down / Bottom Up, Day/Night	Multiple Shades on One Headrail - Standard**	Multiple Shades on One Headrail - Top Down / Bottom Up, Day/Night**
Minimum Width	10"	16"	20"	32"
Maximum Width	120"	96"	120"	96"
Minimum Height	6"	6"	6"	6"
Maximum Height	96"	84"	96"	84"

NOTE: For Standard Cordless, if height is greater than 84", minimum width is 14".

NOTE: For Standard Cordless with multiple shades on one headrail, if height is greater than 84", minimum width is 28".

** For outside mount, add 1/4" to minimum widths.

STACKING CHART (inches)											
SHADE HEIGHT	CONTROL	36"	48"	60"	72"	84"	96"	108"	120"	132"	144"
Linen Collection	Corded	2	2 3/8	2 7/8	3 1/4	3 5/8	4	4 3/8	4 3/4	5 1/8	5 1/2
Linen Opaque Collection	Corded	2 7/8	3 3/8	3 7/8	4 1/4	4 3/4	5 1/8	5 5/8	6	6 1/2	6 7/8
Linen Collection	Cordless / CCL	3	3 3/8	3 3/4	4 1/8	4 1/2	4 7/8	5 1/4	5 5/8	6	6 3/8
Linen Opaque Collection	Cordless / CCL	3 3/4	4 1/4	4 3/4	5 1/8	5 5/8	6	6 1/2	6 7/8	7 3/8	7 3/4



NOTE: Stacking dimensions are approximate.

Price Group F
Linen Collection, 9/16"

PRICE GROUP F - LINEN COLLECTION, 9/16", LIGHT FILTERING																
	16"	24"	31"	36"	42"	48"	54"	60"	66"	72"	84"	96"	108"	120"	132"	144"
Height to 36"	406	453	501	567	622	692	758	824	892	955	1,086	1,227	1,359	1,496	1,630	1,758
42"	418	477	537	605	682	754	829	900	976	1,045	1,199	1,354	1,503	1,653	1,797	1,947
48"	432	501	571	649	735	820	896	979	1,062	1,139	1,311	1,481	1,642	1,809	1,973	2,132
54"	453	529	605	695	786	880	967	1,055	1,146	1,237	1,415	1,602	1,784	1,966	2,144	2,315
60"	492	567	642	745	843	938	1,035	1,128	1,233	1,326	1,527	1,725	1,922	2,126	2,314	2,506
66"	509	596	683	786	895	998	1,103	1,207	1,320	1,421	1,635	1,853	2,061	2,277	2,491	2,697
72"	527	622	717	834	950	1,062	1,175	1,284	1,404	1,517	1,743	1,977	2,205	2,436	2,659	2,882
78"	544	651	758	882	1,000	1,125	1,243	1,359	1,486	1,607	1,851	2,102	2,343	2,590	2,829	3,069
84"	564	675	786	917	1,044	1,175	1,297	1,421	1,556	1,678	1,934	2,198	2,453	2,716	2,968	3,218
90"	589	708	828	960	1,096	1,232	1,366	1,500	1,636	1,769	2,042	2,322	2,594	2,868	3,142	3,409
96"	599	727	855	998	1,139	1,292	1,420	1,559	1,704	1,842	2,128	2,419	2,702	2,994	3,278	3,561
108"	645	784	924	1,083	1,237	1,413	1,545	1,704	1,861	2,016	2,329	2,650	2,961	3,280	3,596	3,901
120"	684	839	994	1,165	1,334	1,554	1,673	1,845	2,016	2,183	2,528	2,878	3,215	3,565	3,909	4,247
132"	727	895	1,064	1,250	1,433	1,676	1,803	1,987	2,168	2,355	2,723	3,102	3,473	3,855	4,224	4,595
144"	756	942	1,128	1,322	1,526	1,803	1,915	2,112	2,310	2,502	2,903	3,303	3,704	4,109	4,508	4,899

SURCHARGE OPTIONS																
	Single Shade															2 blinds on 1 headrail
Cordless	171					208					275					N/A
Cordless Top Down / Bottom Up	303					346					N/A					
Continuous Cordloop	107	115	124	133	138	144	151	159	138	181	185	205	216	224	232	239
Opaque	25%															
Automation	1057	1,071	1,086	1,096	1,111	1,146	1,159	1,170	1,181	1,198	1,232	1,273	1,297	1,335	1,359	1,383

Cordless - Available in shaded area.

*Continuous Cordloop - If width is greater than 120", maximum height is 96". If width is less than 30", maximum height is 96".

N/A = not available

FREE OPTIONS		
Cordless		
Hold-down brackets (outside mount or door mount only)		
Extension brackets		
Side-mount brackets	Cordless Standard	Cordless TDBU
Min Shade Width	10"	16"
Max Shade Width	48"	48"
Min Shade Height	12"	12"
Max Shade Height	72"	72"
Continuous Cordloop		
Pull Cord either left or right		
Hold-down brackets (outside mount or door mount only)		
Extension brackets		
Side-mount brackets:	Continuous Cordloop	
Min Shade Width	18"	
Max Shade Width	48"	
Min Shade Height	18"	
Max Shade Height	72"	
Cordless		
Pull Cord either left or right		
Hold-down brackets (outside mount or door mount only)		
Extension brackets		
Side-mount brackets	Cordless	Cordless TDBU
Min Shade Width	6"	12"
Max Shade Width	48"	48"
Min Shade Height	6"	6"
Max Shade Height	72"	72"
Cord cleats (included in the purchase)		
Continuous Cordloop - if width is greater than 120", maximum length 96". If width is less than 30", maximum height is 96".		

SURCHARGE OPTIONS	
Add to the Price of the Shade:	
Top Down / Bottom Up Day/Night	\$170
	\$92
Note: Price two shades plus any surcharges (on apply surcharges once per option)	
2 on 1 Headrail	\$123
Specialty Shapes:	
Arch	\$416
Circle	\$416
Cutout(Limits 2 cuts per shade)	\$124 Per Cut
Fanned Angle (To 60" Width)	\$306
Fanned Angle (Above 60" Width)	\$433
Half Arch	\$416
Hexagon, Octagon	\$428
Standard Skylight	\$286
Standard Skylight Pole	\$119

AUTOMATION SURCHARGE OPTIONS	
Add to the Price of the Shade:	
Battery Powered Radio Frequency motor	
See Surcharge beneath each price group (A-I).	
Remote Control (1 Channel)	\$229
Remote Control (5 Channel)	\$551
Single Channel Wall Switch	\$1,288
Five Channel Wall Switch	\$1,425
Automatic Timer	\$1,504
Automated - if width is greater than 108", maximum height is 90".	

Honeycomb Shades

Price Group G Satinage Collection, 9/16"

	Light Filtering
Candlelight	59270105
Cream	59270202
Mink	59270110
Sand	59270247
Snow	59270199
Wheat	59270332

MINIMUM AND MAXIMUM SIZES					
CORDED	Standard Bottom Up	Top Down / Bottom Up, Day/Night	Continuous Cordloop	Multiple Shades on One Headrail - Standard**	Multiple Shades on One Headrail - Continuous Cordloop**
Minimum Width	6"	12"	18"	12"	36"
Maximum Width	120"	72"	120"	144"	144"
Minimum Height	6"	6"	18"	6"	18"
Maximum Height	144"	96"	144"	144"	144"

NOTE: For Continuous Cordloop, if height is greater than 96", minimum width is 31".

NOTE: For Continuous Cordloop with multiple shades on one headrail, if width is greater than 120", maximum height is 96".

CORDLESS	Standard Bottom Up	Top Down / Bottom Up, Day/Night	Multiple Shades on One Headrail - Standard**	Multiple Shades on One Headrail - Top Down / Bottom Up, Day/Night**
Minimum Width	10"	16"	20"	32"
Maximum Width	120"	96"	120"	96"
Minimum Height	6"	6"	6"	6"
Maximum Height	96"	84"	96"	84"

NOTE: For Standard Cordless, if height is greater than 84", minimum width is 14".

NOTE: For Standard Cordless with multiple shades on one headrail, if height is greater than 84", minimum width is 28".

** For outside mount, add 1/4" to minimum widths.

STACKING CHART (inches)											
SHADE HEIGHT	CONTROL	36"	48"	60"	72"	84"	96"	108"	120"	132"	144"
Satinage Collection	Corded	2	2 1/4	2 5/8	3	3 1/4	3 5/8	4	4 3/8	4 5/8	5
Satinage Collection	Cordless / CCL	2 7/8	3 1/8	3 1/2	3 7/8	4 1/4	4 1/2	4 7/8	5 1/4	5 5/8	5 7/8

NOTE: Stacking dimensions are approximate.



Price Group G
Satinage Collection, 9/16"

PRICE GROUP G - SATINAGE COLLECTION, 9/16", LIGHT FILTERING																
	16"	24"	31"	36"	42"	48"	54"	60"	66"	72"	84"	96"	108"	120"	132"	144"
Height to 36"	406	453	501	567	622	692	758	824	892	955	1,086	1,227	1,359	1,496	1,630	1,758
42"	418	477	537	605	682	754	829	900	976	1,045	1,199	1,354	1,503	1,653	1,797	1,947
48"	432	501	571	649	735	820	896	979	1,062	1,139	1,311	1,481	1,642	1,809	1,973	2,132
54"	453	529	605	695	786	880	967	1,055	1,146	1,237	1,415	1,602	1,784	1,966	2,144	2,315
60"	492	567	642	745	843	938	1,035	1,128	1,233	1,326	1,527	1,725	1,922	2,126	2,314	2,506
66"	509	596	683	786	895	998	1,103	1,207	1,320	1,421	1,635	1,853	2,061	2,277	2,491	2,697
72"	527	622	717	834	950	1,062	1,175	1,284	1,404	1,517	1,743	1,977	2,205	2,436	2,659	2,882
78"	544	651	758	882	1,000	1,125	1,243	1,359	1,486	1,607	1,851	2,102	2,343	2,590	2,829	3,069
84"	564	675	786	917	1,044	1,175	1,297	1,421	1,556	1,678	1,934	2,198	2,453	2,716	2,968	3,218
90"	589	708	828	960	1,096	1,232	1,366	1,500	1,636	1,769	2,042	2,322	2,594	2,868	3,142	3,409
96"	599	727	855	998	1,139	1,292	1,420	1,559	1,704	1,842	2,128	2,419	2,702	2,994	3,278	3,561
108"	645	784	924	1,083	1,237	1,413	1,545	1,704	1,861	2,016	2,329	2,650	2,961	3,280	3,596	3,901
120"	684	839	994	1,165	1,334	1,554	1,673	1,845	2,016	2,183	2,528	2,878	3,215	3,565	3,909	4,247
132"	727	895	1,064	1,250	1,433	1,676	1,803	1,987	2,168	2,355	2,723	3,102	3,473	3,855	4,224	4,595
144"	756	942	1,128	1,322	1,526	1,803	1,915	2,112	2,310	2,502	2,903	3,303	3,704	4,109	4,508	4,899

SURCHARGE OPTIONS																
	Single Shade															2 blinds on 1 headrail
Cordless	171					208					275					N/A
Cordless Top Down / Bottom Up	303					346					N/A					
Continuous Cordloop	107	115	124	133	138	144	151	159	138	181	185	205	216	224	232	239
Automation	1057	1,071	1,086	1,096	1,111	1,146	1,159	1,170	1,181	1,198	1,232	1,273	1,297	1,335	1,359	1,383

Cordless - Available in shaded area.

*Continuous Cordloop - If width is greater than 120", maximum height is 96". If width is less than 30", maximum height is 96".

N/A = not available

FREE OPTIONS		
Cordless		
Hold-down brackets (outside mount or door mount only)		
Extension brackets		
Side-mount brackets	Cordless Standard	Cordless TDBU
Min Shade Width	10"	16"
Max Shade Width	48"	48"
Min Shade Height	12"	12"
Max Shade Height	72"	72"
Continuous Cordloop		
Pull Cord either left or right		
Hold-down brackets (outside mount or door mount only)		
Extension brackets		
Side-mount brackets:	Continuous Cordloop	
Min Shade Width	18"	
Max Shade Width	48"	
Min Shade Height	18"	
Max Shade Height	72"	
Cordless		
Pull Cord either left or right		
Hold-down brackets (outside mount or door mount only)		
Extension brackets		
Side-mount brackets	Cordless	Cordless TDBU
Min Shade Width	6"	12"
Max Shade Width	48"	48"
Min Shade Height	6"	6"
Max Shade Height	72"	72"
Cord cleats (included in the purchase)		
Continuous Cordloop - if width is greater than 120", maximum length 96". If width is less than 30", maximum height is 96".		

SURCHARGE OPTIONS	
Add to the Price of the Shade:	
Top Down / Bottom Up Day/Night	\$170
	\$92
Note: Price two shades plus any surcharges (on apply surcharges once per option)	
2 on 1 Headrail	\$123
Specialty Shapes:	
Arch	\$416
Circle	\$416
Cutout(Limits 2 cuts per shade)	\$124 Per Cut
Fanned Angle (To 60" Width)	\$306
Fanned Angle (Above 60" Width)	\$433
Half Arch	\$416
Hexagon, Octagon	\$428
Standard Skylight	\$286
Standard Skylight Pole	\$119

AUTOMATION SURCHARGE OPTIONS	
Add to the Price of the Shade:	
Battery Powered Radio Frequency motor	
See Surcharge beneath each price group (A-I).	
Remote Control (1 Channel)	\$229
Remote Control (5 Channel)	\$551
Single Channel Wall Switch	\$1,288
Five Channel Wall Switch	\$1,425
Automatic Timer	\$1,504
Automated - if width is greater than 108", maximum height is 90".	

Price Group H Modern Texture / Muslinet / Twig Collections, 9/16"

Modern Texture Collection	Light Filtering	Opaque	Muslinet Collection	Light Filtering	Opaque	Twig Collection	Light Filtering	Opaque
Bay Leaf	59BMT014	59GMT014	Bay Leaf	59AMT022	59FMT022	Amethyst	59CPU001	59HPU001
Cream	59BMT015	59GMT015	Biscuit	59AMT023	59FMT023	Cream	59C70202	59H70202
Graphite	59BMT016	59GMT016	Graphite	59AMT024	59FMT024	Light Fog	59CGY008	59HGY008
Sage	59BMT017	59GMT017	Mocha	59AMT025	59FMT025	Lt. Olive	59C70334	59H70334
Sand	59BMT018	59GMT018	Navy	59AMT026	59FMT026	Raffia	59C70331	59H70331
Slate	59BMT019	59GMT019	Sage	59AMT027	59FMT027	Sand	59C70247	59H70247
Toffee	59BMT020	59GMT020	Wheat	59AMT029	59FMT029	Snow	59C70199	59H70199
Whisper	59BMT021	59GMT021	White	59AMT028	59FMT028	Toffee	59C70216	59H70216

MINIMUM AND MAXIMUM SIZES					
CORDED	Standard Bottom Up	Top Down / Bottom Up, Day/Night	Continuous Cordloop	Multiple Shades on One Headrail - Standard**	Multiple Shades on One Headrail - Continuous Cordloop**
Minimum Width	6"	12"	18"	12"	36"
Maximum Width	120"	72"	120"	144"	144"
Minimum Height	6"	6"	18"	6"	18"
Maximum Height	144"	96"	144"	144"	144"

NOTE: For Continuous Cordloop, if height is greater than 96", minimum width is 31".

NOTE: For Continuous Cordloop with multiple shades on one headrail, if width is greater than 120", maximum height is 96".

CORDLESS	Standard Bottom Up	Top Down / Bottom Up, Day/Night	Multiple Shades on One Headrail - Standard**	Multiple Shades on One Headrail - Top Down / Bottom Up, Day/Night**
Minimum Width	10"	16" ¹	20"	32"
Maximum Width	120"	96"	120"	96"
Minimum Height	6"	6"	6"	6"
Maximum Height	96"	84" ¹	96"	84"

NOTE: For Standard Cordless, if height is greater than 84", minimum width is 14".

NOTE: For Standard Cordless with multiple shades on one headrail, if height is greater than 84", minimum width is 28".

! Note that additional size restrictions may apply to shades narrower than 21" wide. Contact Levolor Consumer Services for more information.

** For outside mount, add 1/4" to minimum widths.

STACKING CHART (inches)											
SHADE HEIGHT	CONTROL	36"	48"	60"	72"	84"	96"	108"	120"	132"	144"
Twig Collection	Corded	3 1/8	4 1/8	4 3/8	4 3/4	5	5 3/8	5 5/8	6	6 1/4	6 5/8
Twig Collection Opaque	Corded	3 1/8	4 1/8	4 1/2	4 7/8	5 1/8	5 1/2	5 3/4	6 1/8	6 1/2	6 3/4
Modern Texture Collection	Corded	2 7/8	3 3/8	3 3/4	4 1/4	4 5/8	5 1/8	5 1/2	6	6 3/8	6 7/8
Modern Texture Collection Opaque	Corded	3	3 1/2	4	4 3/8	4 7/8	5 1/4	5 3/4	6 1/4	6 5/8	7 1/8
Muslinet Collection	Corded	3 1/4	3 7/8	4 3/8	4 7/8	5 1/2	6	6 1/2	7	7 5/8	8 1/8
Muslinet Collection Opaque	Corded	3 1/4	3 7/8	4 3/8	4 7/8	5 1/2	6	6 1/2	7 1/8	7 5/8	8 1/8
Twig Collection	Cordless / CCL	4	5	5 1/4	5 5/8	5 7/8	6 1/4	6 1/2	6 7/8	7 1/8	7 1/2
Twig Collection Opaque	Cordless / CCL	4	5	5 3/8	5 3/4	6	6 3/8	6 5/8	7	7 3/8	7 5/8
Modern Texture Collection	Cordless / CCL	3 3/4	4 1/4	4 5/8	5 1/8	5 1/2	6	6 3/8	6 7/8	7 1/4	7 3/4
Modern Texture Collection Opaque	Cordless / CCL	3 7/8	4 3/8	4 7/8	5 1/4	5 3/4	6 1/8	6 5/8	7 1/8	7 1/2	8
Muslinet Collection	Cordless / CCL	4 1/8	4 3/4	5 1/4	5 3/4	6 3/8	6 7/8	7 3/8	7 7/8	8 1/2	9
Muslinet Collection Opaque	Cordless / CCL	4 1/8	4 3/4	5 1/4	5 3/4	6 3/8	6 7/8	7 3/8	8	8 1/2	9

NOTE: Stacking dimensions are approximate.



Price Group H
Modern Texture / Muslinet / Twig Collections, 9/16"

PRICE GROUP H - MODERN TEXTURE, MUSLINET, TWIG , 9/16" , LIGHT FILTERING																
	16"	24"	31"	36"	42"	48"	54"	60"	66"	72"	84"	96"	108"	120"	132"	144"
Height to 36"	471	530	586	660	736	811	891	966	1,041	1,117	1,318	1,488	1,556	1,649	2,038	2,205
42"	486	555	631	711	791	891	971	1,057	1,142	1,227	1,452	1,644	1,721	1,820	2,259	2,441
48"	505	586	666	761	856	961	1,051	1,146	1,242	1,342	1,587	1,789	1,877	1,992	2,478	2,677
54"	541	626	711	816	916	1,026	1,132	1,237	1,347	1,447	1,716	1,950	2,038	2,167	2,693	2,908
60"	571	660	751	866	986	1,101	1,206	1,322	1,447	1,557	1,856	2,100	2,204	2,334	2,903	3,154
66"	591	696	801	927	1,051	1,167	1,297	1,412	1,542	1,672	1,986	2,245	2,360	2,499	3,122	3,385
72"	626	736	841	982	1,112	1,242	1,377	1,502	1,647	1,772	2,115	2,401	2,520	2,676	3,331	3,616
78"	651	771	891	1,032	1,172	1,322	1,457	1,597	1,742	1,882	2,245	2,551	2,681	2,841	3,552	3,852
84"	690	820	948	1,115	1,271	1,421	1,571	1,732	1,888	2,038	2,355	2,671	2,806	2,982	3,728	4,039
90"	716	861	1,000	1,172	1,332	1,493	1,655	1,820	1,992	2,147	2,473	2,822	2,966	3,148	3,943	4,281
96"	736	882	1,032	1,208	1,389	1,566	1,721	1,893	2,064	2,240	2,582	2,935	3,091	3,277	4,114	4,469
108"	810	982	1,159	1,357	1,551	1,775	1,942	2,135	2,339	2,527	2,923	3,326	3,508	3,712	4,512	4,897
120"	863	1,057	1,250	1,459	1,673	1,942	2,103	2,317	2,527	2,736	3,170	3,610	3,803	4,034	4,909	5,332
132"	917	1,126	1,330	1,571	1,802	2,103	2,259	2,495	2,725	2,956	3,417	3,895	4,109	4,356	5,300	5,767
144"	955	1,186	1,416	1,663	1,909	2,259	2,403	2,650	2,896	3,144	3,642	4,146	4,383	4,651	5,654	6,153

SURCHARGE OPTIONS																
	Single Shade															2 blinds on 1 headrail
Cordless	171					208					275					N/A
Cordless Top Down / Bottom Up	303					346					N/A					
Continuous Cordloop	107	115	124	133	138	144	151	159	138	181	185	205	216	224	232	239
Opaque	25%															
Automation	1057	1,071	1,086	1,096	1,111	1,146	1,159	1,170	1,181	1,198	1,232	1,273	1,297	1,335	1,359	1,383

Cordless - Available in shaded area.

*Continuous Cordloop - If width is greater than 120", maximum height is 96". If width is less than 30", maximum height is 96".

N/A = not available

FREE OPTIONS		
Cordless		
Hold-down brackets (outside mount or door mount only)		
Extension brackets		
Side-mount brackets	Cordless Standard	Cordless TDBU
Min Shade Width	10"	16"
Max Shade Width	48"	48"
Min Shade Height	12"	12"
Max Shade Height	72"	72"
Continuous Cordloop		
Pull Cord either left or right		
Hold-down brackets (outside mount or door mount only)		
Extension brackets		
Side-mount brackets:	Continuous Cordloop	
Min Shade Width	18"	
Max Shade Width	48"	
Min Shade Height	18"	
Max Shade Height	72"	
Cordless		
Pull Cord either left or right		
Hold-down brackets (outside mount or door mount only)		
Extension brackets		
Side-mount brackets	Cordless	Cordless TDBU
Min Shade Width	6"	12"
Max Shade Width	48"	48"
Min Shade Height	6"	6"
Max Shade Height	72"	72"
Cord cleats (included in the purchase)		
Continuous Cordloop - if width is greater than 120", maximum length 96". If width is less than 30", maximum height is 96".		

SURCHARGE OPTIONS	
Add to the Price of the Shade:	
Top Down / Bottom Up Day/Night	\$170
	\$92
Note: Price two shades plus any surcharges (on apply surcharges once per option)	
2 on 1 Headrail	\$123
Specialty Shapes:	
Arch	\$416
Circle	\$416
Cutout(Limits 2 cuts per shade)	\$124 Per Cut
Fanned Angle (To 60" Width)	\$306
Fanned Angle (Above 60" Width)	\$433
Half Arch	\$416
Hexagon, Octagon	\$428
Standard Skylight	\$286
Standard Skylight Pole	\$119

AUTOMATION SURCHARGE OPTIONS	
Add to the Price of the Shade:	
Battery Powered Radio Frequency motor	
See Surcharge beneath each price group (A-I).	
Remote Control (1 Channel)	\$229
Remote Control (5 Channel)	\$551
Single Channel Wall Switch	\$1,288
Five Channel Wall Switch	\$1,425
Automatic Timer	\$1,504
Automated - if width is greater than 108", maximum height is 90".	

Honeycomb Shades

Price Group I Sheer Collection, 9/16"

	Light Filtering
Cream	59670202
Graphite	59670345
Snow	59670199
Toffee	59670216
Tumbleweed	59670108
Wheat	59270332

MINIMUM AND MAXIMUM SIZES					
CORDED	Standard Bottom Up	Top Down / Bottom Up, Day/Night	Continuous Cordloop	Multiple Shades on One Headrail - Standard**	Multiple Shades on One Headrail - Continuous Cordloop**
Minimum Width	6"	12"	18"	12"	36"
Maximum Width	120"	72"	120"	144"	144"
Minimum Height	6"	6"	18"	6"	18"
Maximum Height	144"	96"	144"	144"	144"

NOTE: For Continuous Cordloop, if height is greater than 96", minimum width is 31".

NOTE: For Continuous Cordloop with multiple shades on one headrail, if width is greater than 120", maximum height is 96".

CORDLESS	Standard Bottom Up	Top Down / Bottom Up, Day/Night	Multiple Shades on One Headrail - Standard**	Multiple Shades on One Headrail - Top Down / Bottom Up, Day/Night**
Minimum Width	10"	16"	20"	32"
Maximum Width	120"	96"	120"	96"
Minimum Height	6"	6"	6"	6"
Maximum Height	96"	84"	96"	84"

NOTE: For Standard Cordless, if height is greater than 84", minimum width is 14".

NOTE: For Standard Cordless with multiple shades on one headrail, if height is greater than 84", minimum width is 28".

** For outside mount, add 1/4" to minimum widths.

STACKING CHART (inches)											
SHADE HEIGHT	CONTROL	36"	48"	60"	72"	84"	96"	108"	120"	132"	144"
Sheer Collection	Corded	1 5/8	1 7/8	2 1/8	2 3/8	2 5/8	2 7/8	3 1/8	3 3/8	3 1/2	3 3/4
Sheer Collection	Cordless / CCL	2 1/2	2 3/4	3	3 1/4	3 1/2	3 3/4	4	4 1/4	4 1/2	4 5/8



NOTE: Stacking dimensions are approximate.

Price Group I
Sheer Collection, 9/16"

PRICE GROUP I - SHEER COLLECTION, 9/16", LIGHT FILTERING																
	16"	24"	31"	36"	42"	48"	54"	60"	66"	72"	84"	96"	108"	120"	132"	144"
Height to 36"	451	526	601	665	739	813	892	963	1,034	1,113	1,266	1,427	1,493	1,583	1,893	2,048
42"	520	578	636	727	813	904	990	1,069	1,160	1,242	1,427	1,600	1,679	1,774	2,127	2,295
48"	543	609	676	782	881	974	1,069	1,167	1,266	1,352	1,553	1,749	1,835	1,944	2,339	2,527
54"	571	649	727	829	939	1,049	1,155	1,262	1,363	1,462	1,683	1,898	1,990	2,110	2,534	2,740
60"	602	684	766	884	1,006	1,124	1,234	1,345	1,462	1,580	1,812	2,048	2,151	2,278	2,739	2,976
66"	626	720	813	939	1,069	1,195	1,317	1,434	1,568	1,690	1,938	2,189	2,298	2,438	2,942	3,191
72"	632	743	853	987	1,124	1,250	1,376	1,509	1,647	1,772	2,036	2,311	2,425	2,574	3,101	3,364
78"	657	775	892	1,034	1,179	1,325	1,458	1,595	1,745	1,882	2,162	2,452	2,577	2,732	3,300	3,576
84"	675	799	922	1,075	1,233	1,375	1,518	1,668	1,823	1,973	2,265	2,565	2,696	2,864	3,462	3,754
90"	701	835	970	1,130	1,295	1,447	1,596	1,758	1,925	2,075	2,384	2,708	2,853	3,025	3,660	3,976
96"	719	860	1,000	1,166	1,349	1,518	1,663	1,824	1,998	2,165	2,486	2,823	2,971	3,151	3,821	4,150
108"	765	926	1,086	1,268	1,458	1,663	1,813	1,993	2,185	2,363	2,721	3,092	3,259	3,451	4,191	4,550
120"	814	992	1,170	1,364	1,574	1,819	1,964	2,160	2,365	2,555	2,954	3,354	3,535	3,749	4,556	4,950
132"	867	1,058	1,248	1,466	1,693	1,971	2,108	2,322	2,546	2,761	3,181	3,617	3,815	4,049	4,920	5,357
144"	899	1,113	1,326	1,551	1,795	2,115	2,239	2,472	2,708	2,934	3,390	3,851	4,073	4,318	5,250	5,716

SURCHARGE OPTIONS																
	Single Shade															2 blinds on 1 headrail
Cordless	171					208					275					N/A
Cordless Top Down / Bottom Up	303					346					N/A					
Continuous Cordloop	107	115	124	133	138	144	151	159	138	181	185	205	216	224	232	239
Automation	1057	1,071	1,086	1,096	1,111	1,146	1,159	1,170	1,181	1,198	1,232	1,273	1,297	1,335	1,359	1,383

Cordless - Available in shaded area.

*Continuous Cordloop - If width is greater than 120", maximum height is 96". If width is less than 30", maximum height is 96".

N/A = not available

FREE OPTIONS		
Cordless		
Hold-down brackets (outside mount or door mount only)		
Extension brackets		
Side-mount brackets	Cordless Standard	Cordless TDBU
Min Shade Width	10"	16"
Max Shade Width	48"	48"
Min Shade Height	12"	12"
Max Shade Height	72"	72"
Continuous Cordloop		
Pull Cord either left or right		
Hold-down brackets (outside mount or door mount only)		
Extension brackets		
Side-mount brackets:	Continuous Cordloop	
Min Shade Width	18"	
Max Shade Width	48"	
Min Shade Height	18"	
Max Shade Height	72"	
Cordless		
Pull Cord either left or right		
Hold-down brackets (outside mount or door mount only)		
Extension brackets		
Side-mount brackets	Cordless	Cordless TDBU
Min Shade Width	6"	12"
Max Shade Width	48"	48"
Min Shade Height	6"	6"
Max Shade Height	72"	72"
Cord cleats (included in the purchase)		
Continuous Cordloop - if width is greater than 120", maximum length 96". If width is less than 30", maximum height is 96".		

SURCHARGE OPTIONS	
Add to the Price of the Shade:	
Top Down / Bottom Up Day/Night	\$170
	\$92
Note: Price two shades plus any surcharges (on apply surcharges once per option)	
2 on 1 Headrail	\$123
Specialty Shapes:	
Arch	\$416
Circle	\$416
Cutout(Limits 2 cuts per shade)	\$124 Per Cut
Fanned Angle (To 60" Width)	\$306
Fanned Angle (Above 60" Width)	\$433
Half Arch	\$416
Hexagon, Octagon	\$428
Standard Skylight	\$286
Standard Skylight Pole	\$119

AUTOMATION SURCHARGE OPTIONS	
Add to the Price of the Shade:	
Battery Powered Radio Frequency motor	
See Surcharge beneath each price group (A-I).	
Remote Control (1 Channel)	\$229
Remote Control (5 Channel)	\$551
Single Channel Wall Switch	\$1,288
Five Channel Wall Switch	\$1,425
Automatic Timer	\$1,504
Automated - if width is greater than 108", maximum height is 90".	

Automation

BENEFITS OF AUTOMATION

- Raise and lower the shade at a touch from virtually anywhere in the home
- Operate shades from a hand-held remote or wall-mounted switch
- Raise and lower automatically using a timer or solar sensor
- Easy access for large or hard-to-reach windows
- Operate multiple shades simultaneously or individually
- Absence of dangling cords means enhanced safety for children and pets
- No cords to detract from window's appearance
- Offers enhanced security with optional automatic switches

Kirsch® Honeycomb Shades offer Somfy radio frequency technology with a single or multiple channel remote option. Radio frequency technology means you do not have to have a clear line of sight in order to operate the shades, unlike infrared technology, which requires a separate satellite eye. In addition, there are no limitations as to how many shades can be assigned to a single channel, and shades can be operated from up to 65 feet away. All Kirsch radio frequency controls are compatible with each other and Kirsch Automated shades. Kirsch offers radio frequency on our Roller Shades and Roman Shades in addition to Honeycomb Shades. Any combination of the below controls can be used together on a grouping of shades.

Add to the price of the shade:	
Battery Powered Radio Frequency Motor	See surcharge beneath each price group (A - I)
Single Challen Remote Control	\$229*
Five Channel Remote Control	\$551**
Single Channel Wall Switch	\$1,288
Five Channel Wall Switch	\$1,425
Automatic Timer	\$1,504

* Remote Control price must be added to base price of shade along with this surcharge

** Add Remote Control price once to the base price of the first shade

Minimums and Maximums	
Min. width	24"
Max. width	144"
Min. Height	6"
Max. Height	144"

NOTE: If width is greater than 108", maximum height is 90".

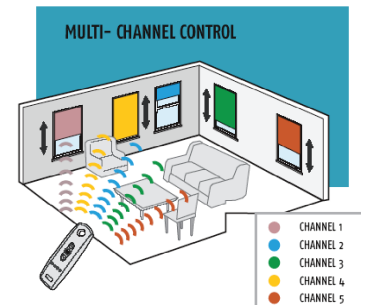
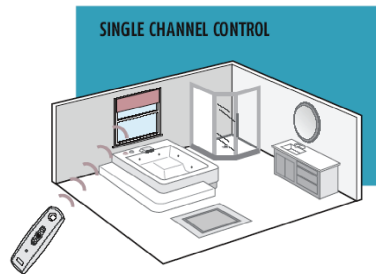
NOTE: Not available with Cordless, Cordless Top Down/Bottom Up, corded Top Down/Bottom Up or Day/Night.

NOTE: Not available with multiple shades on one headrail.

Ways To Control Your Shades

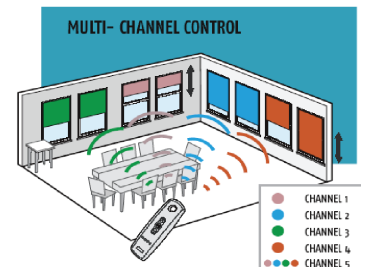
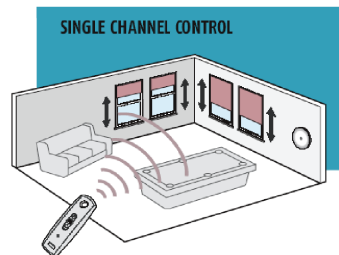
Individual Control

A single channel remote controls one individual window covering. A five channel remote can control up to five window coverings independently.



Group Control

A single channel remote controls one group of automated window coverings. A five channel remote controls up to five groups of automated window coverings.



Honeycomb Shades

Batteries

Automated shades are powered by a lithium battery pack, and require an additional 3/4" mounting depth and a minimum width of 26" for inside mount applications. For outside mount applications, or inside mount applications not meeting the above dimension requirements, the battery may also be mounted externally. A reloadable battery tube allows you to purchase and replace batteries as needed to save time and money. Lithium batteries are available at most retail outlets. The average battery life is between 1-2 years. Battery life does depend on frequency of use and the size and weight of the shade.



Single 12V reloadable battery tube uses 8 AA lithium batteries

Control Options

Manual controls are available in hand-held remote versions or as wall switches. Enjoy the ultimate convenience of Kirsch® Automation by customizing and coordinating your wall switch and remote control options.

Remote Control

Hand-held remote controls provide easy access on a coffee table or night stand and easily move with you from room to room. Kirsch remotes are designed with a hanger pin that allows for easy storage and are available as a single channel and five channel.



One Channel Remote

Use it to control a single shade or a grouping of shades performing the same function up to 65 feet away. Available in white. Uses CR2430 battery (included) with a 4 year battery life.

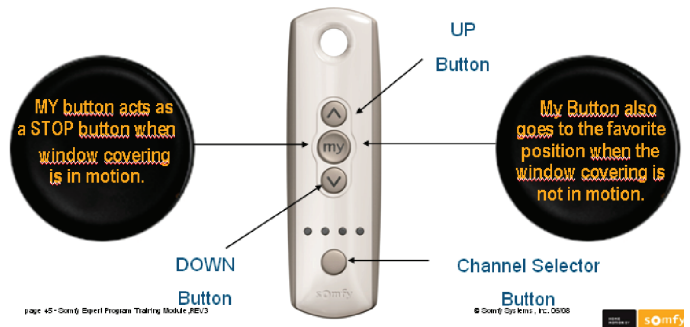


Five Channel Remote

Control multiple shades independently, in a group setting, or multiple groups of shades from up to 65 feet away. Each channel on the remote will allow shades to function separately from shades programmed to other remote channels. A total of 5 shades can be programmed to individual channels. Available in white. Uses a CR2430 battery (included) with a 4 year battery life.

Favorite (Preferred) MY Position

Program a favorite position that is accessed frequently.



Honeycomb Shades

Control Options

Wall Switches

Enjoy the ease of Automated shades with the convenience of a wall switch. Available in one or five channel, wall switches offer the same function as a remote and attach easily to the wall and run on a long-lasting battery.



One Channel Wall Switch

Provides the same function as a single channel remote with the convenience of a wall switch. Wall switch available in white and is powered by a CR2430 battery (included) so there is no hard wiring required. Battery life is 10 years.



Five Channel Wall Switch

Provides the same function as a five channel remote with the convenience of a wall switch. Multiple channels can be selected to operate simultaneously. The wall switch is available in white and is powered by a CR2430 battery (included) so there is no hard wiring required. Battery life is 10 years.

Timers

One channel Timer switches are available in two models and can be set to open and close all shades on a single channel automatically. Both models feature manual controls to operate independent of the timer or sensor. They attach easily to the wall using the included bracket,



Timer Switch

Provides ultimate control for your Automated shades. The timer can be set to automatically operate shades at a set time each day or at different times every day of the week. A security mode is also available to randomly operate shades, simulating an occupied home while you are away. Available in white. Uses 2 AAA batteries (included).

Placing Your Automated Shade Order

If ordering a single one channel remote, all shades will be programmed to that control and no further channel assignment information is necessary.

If placing an order for multi-channel controls and/or multiple controls to be used with more than one shade, you will need to provide a channel assignment worksheet for each grouping (room) of Automated shades ordered. Without this worksheet, the factory will not be able to program the shades to the customer-designated channels on the controls. See your Automated Blinds and Shades ordering guide for a channel assignment worksheet. Please find worksheet online at www.kirsch.com

Channel assignment and upper and lower limits for shades will be programmed at the factory, and if multiple channels and multiple shades are ordered, the remotes and the corresponding shades will be clearly identified. An intermediate setting (e.g. the shade stopping halfway up/down) can be programmed after installation.

Steps for Ordering Automated Shades

Step 1: Determine which type(s) of control(s) you would like (such as remote, wall switch, or time switch).

Step 2: If ordering multiple controls, specify which one will be the master control. The master control is the primary control used for initial programming and also used to add/remove additional controls.

Step 3: Fax the Channel Assignment worksheet along with the shades order to Kirsch® customer service at 1-800-367-3092 or email to motorized@kirsch.com. If emailing the form, please include "Channel Assignment Worksheet" in the subject line of the email to ensure quick identification and processing of your order.

Product Summary

PRODUCT SUMMARY					
Collection	Fabric Ranking	Cell Size	Number of Colors	Max Fabric Width	Privacy & Light Control
Sheer, Light Filtering	Best	9/16" Single Cell	5	120" Cordless / 120" Corded	Direct
Twig, Light Filtering	Best	9/16" Single Cell	8	120" Cordless / 120" Corded	Filtered
Twig, Opaque	Best	9/16" Single Cell	8	120" Cordless / 120" Corded	Blocked
Muslinet, Light Filtering	Best	9/16" Single Cell	8	120" Cordless / 120" Corded	Filtered
Muslinet, Opaque	Best	9/16" Single Cell	8	120" Cordless / 120" Corded	Blocked
Modern Texture, Light Filtering	Best	9/16" Single Cell	8	120" Cordless / 120" Corded	Filtered
Modern Texture, Opaque	Best	9/16" Single Cell	8	120" Cordless / 120" Corded	Blocked
Satinage, Light Filtering	Best	9/16" Single Cell	6	120" Cordless / 120" Corded	Filtered
Linen, Light Filtering	Best	9/16" Single Cell	8	120" Cordless / 120" Corded	Filtered
Linen, Opaque	Best	9/16" Single Cell	8	120" Cordless / 120" Corded	Blocked
Zileana, Light Filtering	Best	9/16" Single Cell	19	120" Cordless / 120" Corded	Filtered
Zileana, Opaque	Best	9/16" Single Cell	19	120" Cordless / 120" Corded	Blocked
Zileana, Energy Liner	Best	9/16" Single Cell	19	120" Cordless / 120" Corded	Filtered
Mosaic, Light Filtering	Better	9/16" Single Cell	32	120" Cordless / 120" Corded	Filtered
Mosaic, Light Filtering	Better	3/4" Single Cell	32	120" Cordless / 120" Corded	Filtered
Mosaic, Light Filtering	Better	7/6" Double Cell	32	120" Cordless / 120" Corded	Filtered
Mosaic, Opaque	Better	9/16" Single Cell	32	120" Cordless / 120" Corded	Blocked
Mosaic, Opaque	Better	3/4" Single Cell	32	120" Cordless / 120" Corded	Blocked
Mosaic, Energy Liner	Better	9/16" Single Cell	32	120" Cordless / 120" Corded	Filtered
Classique, Light Filtering	Good	9/16" Single Cell	8	120" Cordless / 120" Corded	Filtered
Classique, Opaque	Good	9/16" Single Cell	8	120" Cordless / 120" Corded	Blocked

Honeycomb Shades

Options

STANDARD BOTTOM UP

Easily raises from the bottom up. Add cordless for a clean look with no dangling cords - safe for kids and pets.

NOTE: Skylight pole can be purchased separately to raise and lower Cordless shades that are hard to reach.

NOTE: On Cordless, if height is greater than 84", minimum width is 14".

MINIMUMS AND MAXIMUMS		
	CORDED	CORDLESS
Min. width	6"	10"
Max. width	120"	120"
Min. height	6"	6"
Max. height	144"	96"

STANDARD QUANTITY OF CORDS		
	WIDTH	NUMBER OF CORDS
CORDED SINGLE CELL	6" to 60"	2
	60 $\frac{1}{8}$ " to 96"	3
	96 $\frac{1}{8}$ " to 132"	4
	132 $\frac{1}{8}$ " to 120"	5
CORDED DOUBLE CELL	6" to 44"	2
	44 $\frac{1}{8}$ " to 80"	3
	80 $\frac{1}{8}$ " to 116"	4
	116 $\frac{1}{8}$ " to 120"	5



TOP DOWN/BOTTOM UP

Improved Light Control and Privacy. Raise from the bottom and lower from the top to control incoming light. Create the perfect view while maintaining privacy.

NOTE: On corded, no reverse controls offered. Left controls lift from bottom; right controls lower from top.

NOTE: Skylight pole can be purchased separately to raise and lower Cordless shades that are hard to reach.

MINIMUMS AND MAXIMUMS		
	CORDED	CORDLESS
Min. width	12"	16"
Max. width	72"	96"
Min. height	6"	6"
Max. height	96"	84"



Day/Night

Two fabrics work together for the ultimate versatility in light control and privacy.

NOTE: On corded, left cord raises the entire shade; right cord operates the two fabrics.

NOTE: Same fabric on top and bottom not available.

NOTE: Fabrics must be the same cell size.

MINIMUMS AND MAXIMUMS		
	CORDED	CORDLESS
Min. width	12"	16"
Max. width	72"	96"
Min. height	6"	6"
Max. height	96"	84"



Honeycomb Shades

Options

CONTINUOUS CORDLOOP

Perfect for Larger Shades.

The Continuous Cordloop option helps easily raise larger shades evenly while keeping them at exactly the height you want without having to lock or unlock the cord. Simply pull the cord until the shade is at the desired height and the shade stays in place while maintaining the same cord length.

NOTE: If width is less than 30", maximum height is 96".

NOTE: For 2 on 1 headrail, controls will be located on the left side of the left shade, and the right side of the right shade.

NOTE: Not available with Cordless, Top Down/Bottom Up, Day/Night, Angle Top/Bottom or Skylights.

MINIMUMS AND MAXIMUMS	
CONTINUOUS CORDLOOP	
Min. width	18"
Max. width	120"
Min. height	18"
Max. height	144"

CORDLOOP LENGTHS	
SHADE LENGTH	CORDLOOP LENGTH
18" to 48"	2'
48½" to 60"	3'
60½" to 72"	4'
72½" to 96"	6'
96½" to 119½"	8'
120" and above	10'



MULTIPLE SHADES ON ONE HEADRAIL

Multiple Shades Across Rail

Ideal for multiple windows in one frame, providing the clean

NOTE: For standard shades, controls will be located on the left side of the left shade and the right side of the right shade.

NOTE: Not available with Corded Top Down/Bottom Up or Corded Day/Night.

NOTE: For Standard Cordless with multiple shades on one headrail, if height is greater than 84", minimum width is behind 28".

MINIMUMS AND MAXIMUMS		
	CORDED	CORDLESS
Min. width	12"	20"
Max. width	144"	120"
Min. height	6"	6"
Max. height	144"	96"

CONTINUOUS CORDLOOP	
Min. width	36"
Max. width	144"
Min. height	18"
Max. height	144"

CORDLESS TOP DOWN / BOTTOM UP, DAY/NIGHT	
Min. width	32"
Max. width	96"
Min. height	6"
Max. height	84"



COLOR COORDINATED HEADRAIL

STANDARD HEADRAIL

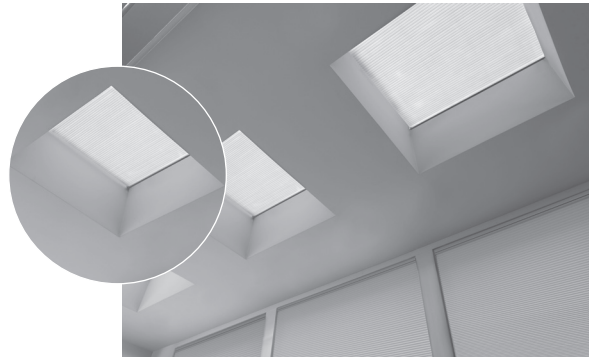
Standard on your Honeycomb Shades, color coordinated components conveniently match with the fabric color to simplify decorating your home.



Cordless headrail shown

SKYLIGHT

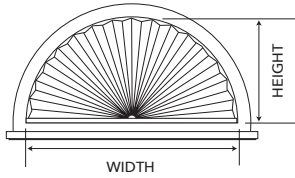
You must specify if you want a skylight pole to operate the skylight shade. This is an independent item and must be ordered separately.



Skylight shown

Specialty Shapes

ARCH



Make a template (unless height is exactly 1/2 width) and indicate the:

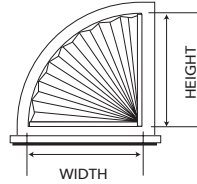
- Width and Height at the center of the shade
- Mounting Style: Inside or Outside

MINIMUMS AND MAXIMUMS

Min. width	12"
Max. width	84"
Min. height	1/2 of width or 6", whichever is larger
Max. height	1/2 of width or 42", whichever is smaller

NOTE: Stationary (non-functioning).

HALF ARCH



Make a template and indicate the:

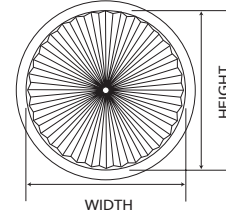
- Width and Height
- Mounting Style: Inside or Outside

MINIMUMS AND MAXIMUMS

Min. width	6"
Max. width	42"
Min. height	1/2 of width or 6", whichever is larger
Max. height	Same as width or 42", whichever is smaller

NOTE: Stationary (non-functioning).

CIRCLE



Make a template and indicate the:

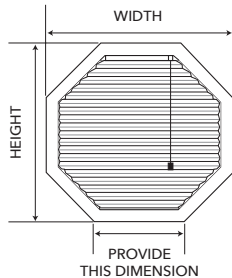
- Width and Height on the outermost parts of the shade
- Mounting Style: Inside only

MINIMUMS AND MAXIMUMS

Min. diameter	12"
Max. diameter	42"

NOTE: Stationary (non-functioning).

OCTAGON



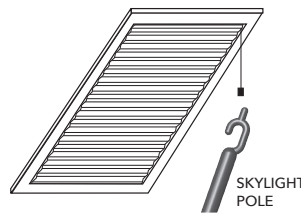
Provide a template with a diagram.

MINIMUMS AND MAXIMUMS

Min. width	15"
Max. width	48"
Min. height	15"
Max. height	48"

NOTE: Shade will raise and lower, but does not have a functioning cordlock. A cord cleat will be sent with order.

SKYLIGHT



Available with an inside mount only: Measure this shade as you would an inside mount shade.

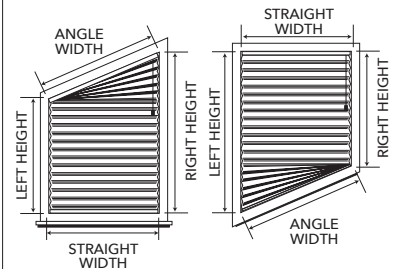
NOTE: This is a corded product.

MINIMUMS AND MAXIMUMS

Min. width	12"
Max. width	96"
Min. height	6"
Max. height	96"
Max. angle	30°

NOTE: Skylight Pole must be ordered separately.

FANNED ANGLE



Give the following dimensions:

- Straight Width
- Angle Width
- Right Height
- Left Height
- Mounting Style: Inside or Outside
- Control Side: Right or Left

MINIMUMS AND MAXIMUMS

Min. width	12"
Max. straight width	72"
Max. angle width	84"
Min. height	6"
Max. height	96"
Max. angle	45°

NOTE: Shade will raise until angle begins and lower, but does not have a functioning cordlock. A cord cleat will be sent with order.

Specialty Shapes

HEXAGON

Provide a template with a diagram.

MINIMUMS AND MAXIMUMS	
Min. width	12"
Max. width	48"
Min. height	12"
Max. height	48"

NOTE: Shade will raise and lower, but does not have a functioning cordlock. A cord cleat will be sent with order.

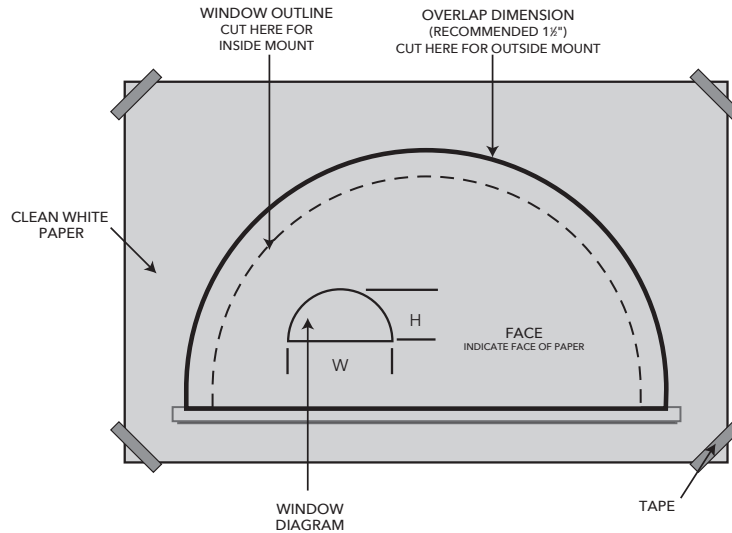
CUTOUT

Honeycomb Shades are ideal for windows with an obstacle, such as an air conditioner. Side cuts are available at the bottom only. Available on Standard Corded Bottom Up and Continuous Cordloop shades. Measure the following:

- The overall width of the shade
- The right height of the shade
- The left height of the shade
- The width of the obstacle

MINIMUMS AND MAXIMUMS	
Min. width	12"
Max. width	144"
Min. height	6"
Max. height	96"

NOTE: Allow 1/4" clearance for the obstacle. The overall width of the obstacle plus the obstacle offset must equal the overall width. Maximum of two cutouts per shade.



How to Make a Template

NOTE: Template will not be returned upon completion of product. Kirsch[] holds the template for 6 months and then destroys them.

YOU WILL NEED:

- Clean, white paper
- Non-abrasive tape
- Pencil
- Metal measuring tape
- Mailing tube
- Scissors

STEP 1

Completely cover the window opening or area to be covered with clean white paper and tape into place.

Template must be one solid piece of paper.

DO NOT USE NEWSPAPER, PLASTIC, OR CARDBOARD.

STEP 2

Mark the room side of the template "FACE".

STEP 3

Draw the outline of the window opening in with a pencil.

STEP 4

For inside mount shades, cut out the template along the penciled line.

For outside mount shades, add the desired overlap to the penciled guideline and draw in

a new guideline. Cut the template along this new guideline.

STEP 5

Draw a diagram of the window area on the face of the template, denoting maximum width and height.

STEP 6

Send in the cut portion of the template. For best results, roll, do not fold, the template for shipment and place in mailing tube.

Please send template to:

Kirsch Window Fashions
Attention: Template OE
4110 Premier Drive
High Point, NC 27265

Be sure to include your name, store name and purchase order number on the template.


Specialty shapes subject to longer lead times.

Troubleshooting Tips

Corded Honeycomb Shades

PROBLEM	SOLUTIONS
Controls too long	Untie the upper knot from the thinner cord that feeds into the stop ball. Push the stop ball up to the desired location and tie the knot again. Before cutting off excess cording, please lower the shade to ensure that the length of the shade and the controls are satisfactory.
Cordlock inoperable	Contact place of purchase for an authorized repair.
Hangs unevenly	Push stop ball up to expose knot of two cords coming into the top of the stop ball. Adjust cording by pulling on the cord that controls the side of the shade that is hanging lower. Once shade is even, tie both cords in a knot as close to the original knot as possible. Trim any excess. Slide the stop ball back into place.

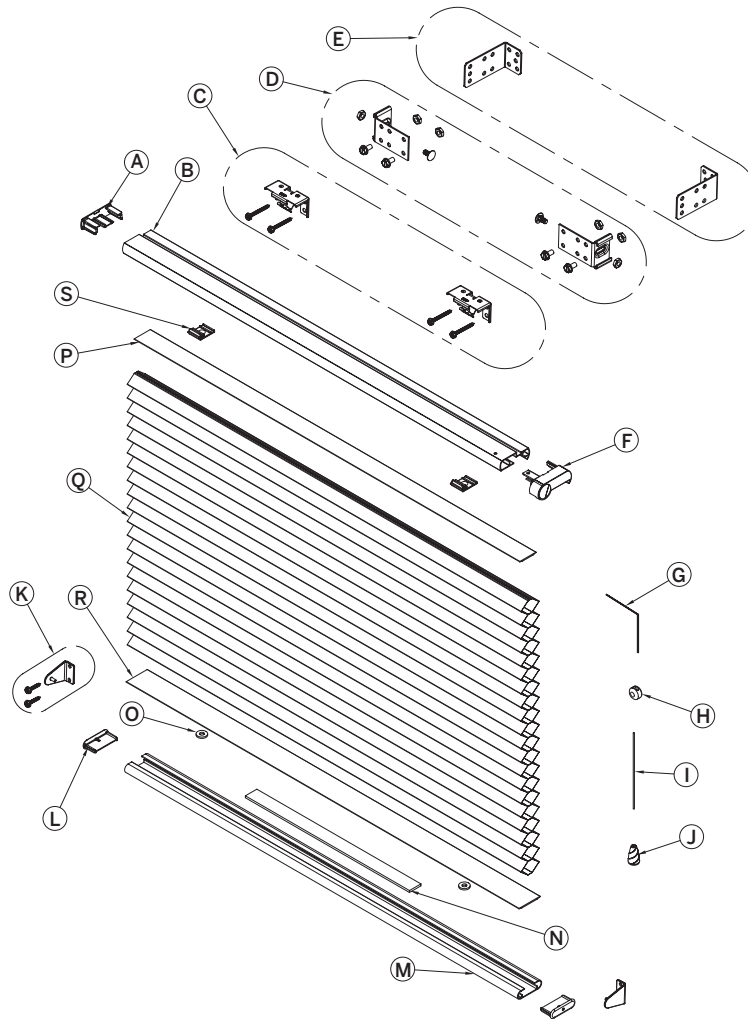
Cordless Honeycomb Shades

PROBLEM	SOLUTIONS
Creeping or sagging 	If you notice your shade is creeping up from the bottom or sagging from the top, contact Customer Service to receive friction clips and instructions to install into the spring motor.
Hangs unevenly	In some instances, the cords in your Cordless shade can become entangled. This problem can typically be solved by pulling the shade down completely. This will usually realign the cords. PREVENTION TIP: Always lift your shade from the middle rather than the sides, and do not lift too quickly, as this creates slack in the cords.
Does not operate smoothly	Look inside the headrail at the spring motor and check for friction clips. Remove 1 and/or all of the friction clips and check for improved operation.
Will not lift	Gently pull down on the bottomrail and then lift to reactivate the spring in the motor. TIP: Anytime you leave your shades in the closed position for an extended period of time, the spring will need to be reset in order to function properly.

Continuous Cordloop Honeycomb Shades

PROBLEM	SOLUTIONS
Frayed cordloop	Call Customer Service to order a new cord. Remove control end cap by lifting the tab on the top of the headrail that locks the cap into place. The cap should then easily pop off. Remove frayed cordloop by gently lifting the cord and turning the mechanism (TIP: a screwdriver inserted into the center of the mechanism allows for easy rotation). Start new cordloop into the pulley by placing the cord into one of the teeth of the gear. Rotate the cordloop into place. Replace control cap.

Exploded View - Corded Honeycomb Shade



MSRP DESCRIPTION

- A HEADRAIL ENDCAP
- B HEADRAIL
- C MOUNTING BRACKET [2PK/3PK]
- D EXTENSION BRACKET BASE KIT (OPTIONAL) [2PK/3PK]
- E EXTENSION BRACKET 1" TO 1.5" AND 2.5" TO 3" KIT (OPTIONAL) [2PK/3PK]
- F CORDLOCK ASSEMBLY RIGHT
- G CORD
- H STOP BALL
- I PULL CORD
- J TASSEL
- K HOLD DOWN BRACKET KIT (OPTIONAL)
- L BOTTOMRAIL END CAP
- M BOTTOMRAIL
- N BOTTOMRAIL WEIGHT
- O TIE OFF WASHER
- P INSERT SLAT
- Q HONEYCOMB FABRIC
- R INSERT SLAT
- S CORD GUIDE
- *EXTENSION BRACKET 1.5" TO 2" KIT [3PK] (OPTIONAL)
- *CORDLOCK ASSEMBLY LEFT (OPTIONAL)
- *SPACER BLOCK ^{3/8"}(OPTIONAL)
- * CORD CLEAT

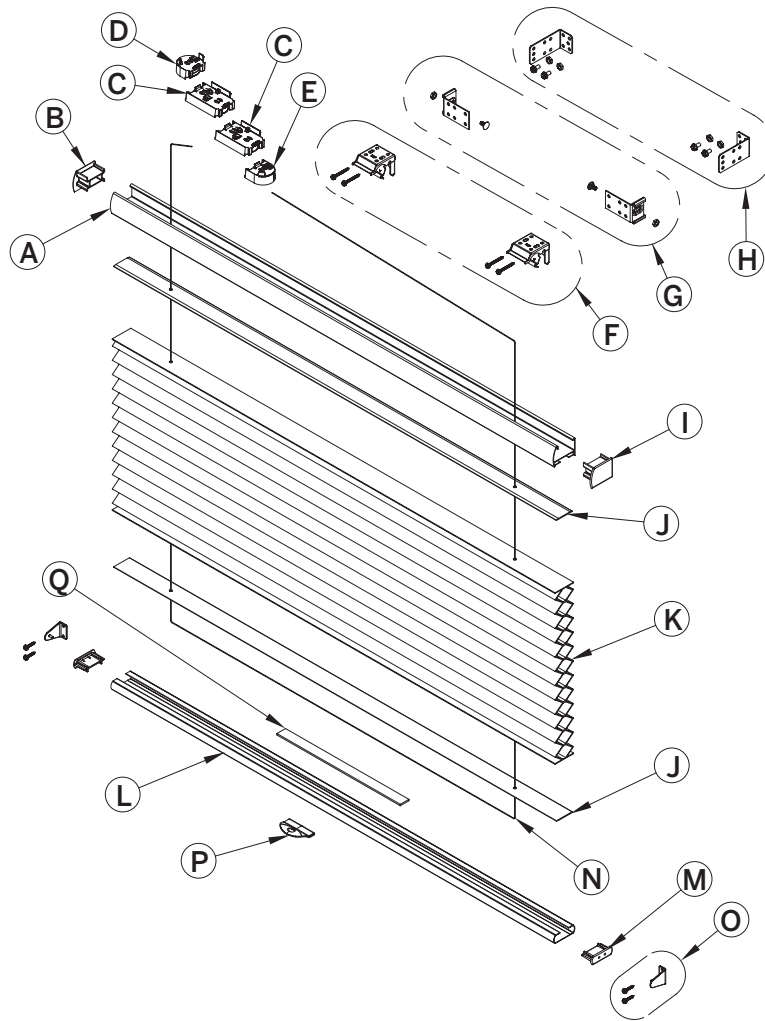
SINGLE CELL SAP DESCRIPTION

- ENDCAP;HDRAIL*HGEC0009
- *RAHR0016
- BRACKET;INSTALL;STD;2PK / BRACKET;INSTALL;STD;3PK
- BRACKET;EXTN;BASE;2P / BRACKET;EXTN;BASE;3P
- BRACKET;EXTN;2PK;1-1 / BRACKET;EXTN;3PK;1-1
- *HMCL0051
- *C78*
- *DK070803*
- *CORD*C88*
- *TASSEL*HGTS*
- HOLD DOWN KITT
- ENDCAP*HGEC0013
- *RABR0011
- WEIGHT;BOTRAIL
- WASHERS;STEEL;1000;86425;-DML8
- INSERT;SLAT;SM
- VARIOUS
- SLAT;INSERT;LG
- CORD GUIDE;HONEYCOMB
- BRACKET;EXTN;3PK;1.5
- *HMCL0052
- BRKT;SPACER;00010;-W02E
- KPS02600

DOUBLE CELL SAP DESCRIPTION

- ENDCAP*HGEC0010
- *RAHR0015
-
-
-
- *HMCL0053
-
-
-
-
-
- ENDCAP*HGEC0033
- *D19A*
-
- SLAT;INSERT;LG
-
-
-
-
- *HMCL0054
-
- KPS02600

Exploded View - Cordless Honeycomb Shade



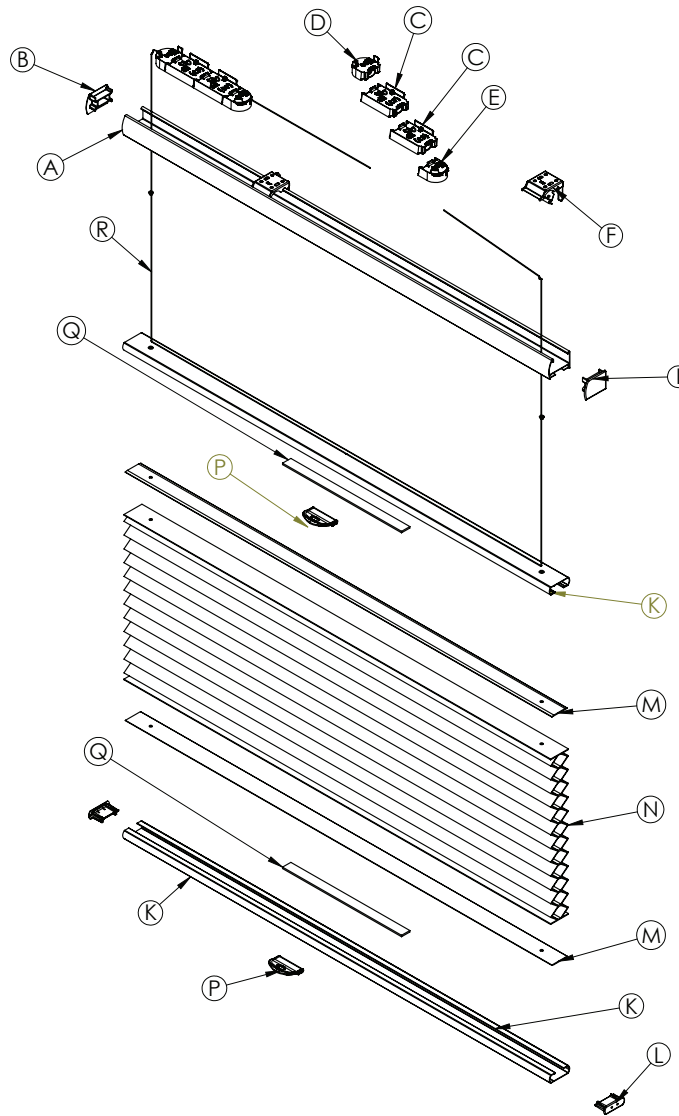
MSRP DESCRIPTION

- A HEADRAIL
- B HEADRAIL ENDCAP - LEFT
- C SPRING MODULE ASSEMBLY
- D LEFT HAND SPOOL ASSEMBLY
- E RIGHT HAND SPOOL ASSEMBLY
- F INSTALLATION BRACKET KIT (2PK/3PK)
- G EXTENSION BRACKET BASE KIT (OPTIONAL) [2PK/3PK]
- H EXTENSION BRACKET 1" TO 1.5" AND 2.5" TO 3" KIT (OPTIONAL) [2PK/3PK]
- I HEADRAIL ENDCAP - RIGHT
- J INSERT SLAT
- K HONEYCOMB FABRIC
- L BOTTOMRAIL
- M BOTTOMRAIL END CAP
- N CORD
- O HOLD DOWN BRACKET KIT (OPTIONAL)
- P HANDLE
- Q BOTTOMRAIL WEIGHT
- * EXTENSION BRACKET 1.5" TO 2" KIT [3PK] (OPTIONAL)
- * SPACER BLOCK ^{3/8"}(OPTIONAL)

SAP DESCRIPTION

- *RAIL*D50A*
- ENDCAP*D27C5100
- MODULE;SHORT SPRING
- MODULE;SPOOL;LH
- MODULE;SPOOL;RH
- BRACKET;INSTALL;CORDLESS;2PK /BRACKET;INSTALL;CDLESS AUTORISE;3PK
- BRACKET;EXTN;BASE;2P / BRACKET;EXTN;BASE;3P
- BRACKET;EXTN;2PK;1-1 / BRACKET;EXTN;3PK;1-1
- ENDCAP*D27C5200
- SLAT;INSERT;LG
- VARIOUS
- *RAIL*D19A*
- ENDCAP*HGEC0033
- CORD*C58
- HOLD DOWN KITT
- HANDLE;HONEYCOMB;CORDLESS;KI
- WEIGHT;BOTRAIL
- BRACKET;EXTN;3PK;1.5
- BRKT;SPACER;00010;-W02E

Exploded View - Cordless Top Down/Bottom Up Honeycomb Shade



MSRP DESCRIPTION

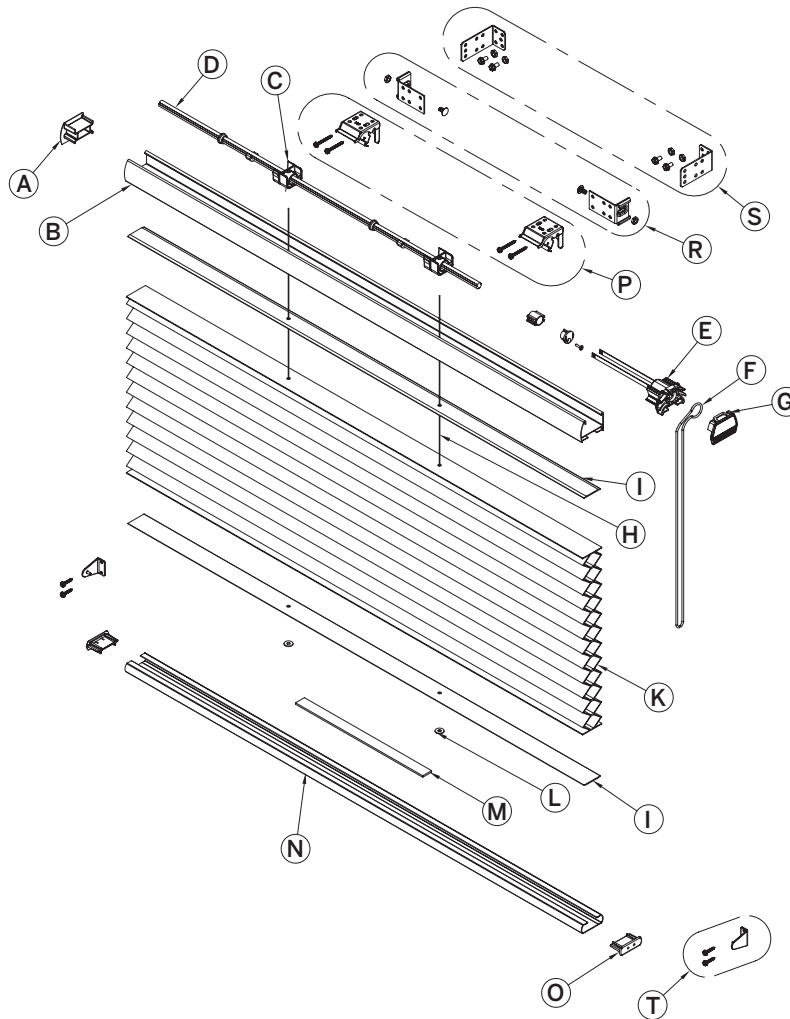
- A HEADRAIL
- B HEADRAIL ENDCAP - LEFT
- C SPRING MODULE ASSEMBLY
- D LEFT HAND SPOOL ASSEMBLY
- E RIGHT HAND SPOOL ASSEMBLY
- F INSTALLATION BRACKET KIT (2PK/3PK)
- G EXTENSION BRACKET BASE KIT (OPTIONAL) [2PK/3PK]
- H EXTENSION BRACKET 1" TO 1.5" AND 2.5" TO 3" KIT (OPTIONAL) [2PK/3PK]
- I HEADRAIL ENDCAP - RIGHT
- K BOTTOMRAIL
- L BOTTOMRAIL END CAP
- M INSERT SLAT
- N HONEYCOMB FABRIC
- O HOLD DOWN BRACKET KIT (OPTIONAL)
- P HANDLE
- Q BOTTOMRAIL WEIGHT
- R CORD

*EXTENSION BRACKET 1.5" TO 2" KIT [3PK] (OPTIONAL)
 *SPACER BLOCK 3/8" (OPTIONAL)

SAP DESCRIPTION

- *RAIL*D50A*
- ENDCAP*D27C5100
- MODULE;SHORT SPRING
- MODULE;SPOOL;LH
- MODULE;SPOOL;RH
- BRACKET;INSTALL;CORDLESS;2PK /BRACKET;INSTALL;CDLESS AUTORISE;3PK
- BRACKET;EXTN;BASE;2P / BRACKET;EXTN;BASE;3P
- BRACKET;EXTN;2PK;1-1 / BRACKET;EXTN;3PK;1-1
- ENDCAP*D27C5200
- *RAIL*D19A*
- ENDCAP*HGEC0033
- SLAT;INSERT;LG
- VARIOUS
- HOLD DOWN KITT
- HANDLE;HONEYCOMB;CORDLESS;KI
- WEIGHT;BOTRAIL
- CORD*C58
- BRACKET;EXTN;3PK;1.5
- BRKT;SPACER;00010;-W02E

Exploded View - Continuous Cordloop Honeycomb Shade



MSRP DESCRIPTION

- A HEADRAIL ENDCAP - LEFT
- B HEADRAIL
- C CORDLOOP CRADLES
- D CORDLOOP DRIVE SHAFT
- E CORDLOOP CLUTCH
- F PULL CORDLOOP
- G CLUTCH ENDCAP
- H CORD
- I INSERT SLAT
- J HONEYCOMB FABRIC
- K TIE OFF WASHER
- L BOTTOMRAIL WEIGHT
- M BOTTOMRAIL (LARGE/SMALL)
- N BOTTOMRAIL END CAP
- O INSTALLATION BRACKET KIT (2PK/3PK)
- P EXTENSION BRACKET BASE KIT (OPTIONAL) [2PK/3PK]
- Q EXTENSION BRACKET 1" TO 1.5" AND 2.5" TO 3" KIT (OPTIONAL) [2PK/3PK]
- R HOLD DOWN BRACKET KIT (OPTIONAL)
- * EXTENSION BRACKET 1.5" TO 2" KIT [3PK] (OPTIONAL)
- * SPACER BLOCK 3/8" (OPTIONAL)

SAP DESCRIPTION

- ENDCAP*D27C5100
- *RAIL*D50A*
- CRADLE;CORDLOOP LIFT SET
- SHAFT;DRIVE;CDLOOP
- CLUTCH;CDLOOP
- *F20A*
- *ENDCAP*HGEC0014
- *CORD*CC080001*
- SLAT;INSERT;LG
- VARIOUS
- WASHERS;STEEL;1000;86425;-DML8
- WEIGHT;BOTRAIL
- *RAIL*D19A*/*RABR0011
- ENDCAP*HGEC0033
- BRACKET;INSTALL;CORDLESS;2PK /BRACKET;INSTALL;CDLESS AUTORISE;3PK
- BRACKET;EXTN;BASE;2P / BRACKET;EXTN;BASE;3P
- BRACKET;EXTN;2PK;1-1 / BRACKET;EXTN;3PK;1-1
- HOLD DOWN KITT
- BRACKET;EXTN;3PK;1.5
- BRKT;SPACER;00010;-W02E

Terms and Conditions

Order Processing

Telephone Orders

Verbal orders are accepted as the dealer's responsibility. Each order will be repeated back by the Customer Service Representative. In certain instances, we may require written orders.

Duplicated Orders

All orders are confirmed after entry into our system. Customer Service is not responsible for duplicate orders caused by a written order following a telephone order or duplicate faxes.

Changes and Cancellations

All products are custom-made to your specifications under tight deadlines. Once production has begun on your order, changes and cancellations cannot be made.

Contract Orders

All Contract Orders must be processed through Contract Customer Service at 1-800-826-8021.

Freight

- Shipments outside the continental U.S. are subject to freight charges.
- Chargeable parts and returns for repair are subject to freight charges.

Pricing and Terms

All prices are subject to change without notice. Until credit is approved, terms are Cash With Order. Standard terms are Net 30 days from invoice date.

Claims and Returns

Defective Merchandise

All manufacturing defects must be reported to Customer Service within 30 days of receipt of shades. We may require the return of defective shades prior to repair or replacement.

Incorrect Merchandise

If any part of your shipment was made incorrectly, please advise Customer Service within 30 days. A replacement will be made at no charge if the problem was due to Kirsch® error. If the problem was due to dealer or customer error, the original order and replacement order will be full charge.

Returns for Repair

Prior to return for repair, contact Customer Service. We will request the order number, date, purchase order number, and type of product. Arrangements for return will be made at that time with directions as to how the shades should be returned. The package should be marked for easy identification both inside and outside, and should contain a written confirmation of the verbal repair instructions. Repairs should be packaged carefully. Product that has been mishandled or received in poor condition will be returned to the customer.

Chargebacks for unauthorized repairs or additional installation cannot be honored. All returns for repair are subject to freight charges.

Returns for Credit

Returns can be accepted only if prior authorization has been obtained from Customer Service. Authorization will include instructions as to how the merchandise should be returned. Unauthorized returns will be refused.

Freight Damage FedEx/FedEx Ground:

- If freight damage is visible, refuse the shipment. FedEx will inspect the damage and return to the shipping location. Contact Customer Service for further information.
- If freight damage is concealed, retain all packaging materials and contact Customer Service immediately (must be notified within 14 days).

Freight Damage Common Carrier:

- If freight damage is visible, refuse the shipment. The carrier will return the merchandise to the shipping location for inspection. Contact Customer Service for further information.
- If freight damage is concealed, retain all packaging materials and contact Customer Service immediately (must be notified within 14 days).



At Kirsch, we're committed to making products and relationships that last. That's why we offer a product with a complete warranty and a no-risk exchange policy.

No Risk Exchange Policy

Whether you mis-measured or simply changed your mind, if you don't love your custom Kirsch for any reason, we'll exchange it within 30 days of receipt.

Full 10-year Warranty

Your investment will last. If any part of your custom Kirsch breaks or is damaged due to poor workmanship or defect within 10 years of purchase, we'll repair or replace it free of charge.

kirsch[®]
kirsch.com

Kirsch ©2015
3 Glenlake Parkway, Atlanta, GA 30328
1-800-225-1988 • 1-800-545-2325 fax • www.kirsch.com

A ***NewellRubbermaid*** Brand



1939121